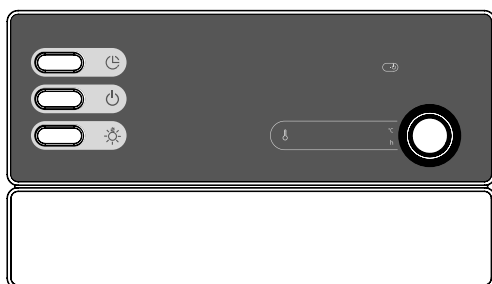


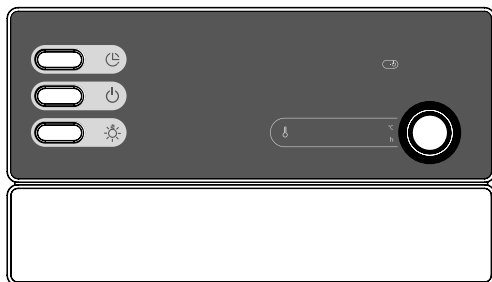
# Sauna control unit

## PRO B2 / PRO B3

INSTRUCTIONS FOR INSTALLATION AND USE  
English



**PRO-B2 / 1-015-455**



**PRO-B3 / 1-015-457**

EN

DE

FR

IT

NL

SV

FI

# Table of Contents

<b>1. About this instruction manual</b>	<b>5</b>
<b>2. Important information for your safety</b>	<b>6</b>
2.1. Intended use	6
2.2. Safety information for the installer	7
2.3. Safety information for the user	8
<b>3. Product description</b>	<b>9</b>
3.1. Scope of delivery	9
3.2. Optional accessories	9
3.3. Product features	9
3.4. Sauna operating modes	10
3.5. Sensor operating modes	11
<b>4. Installation</b>	<b>13</b>
4.1. Installing the sauna control unit	13
4.2. Installing the heater sensor F1 with overheat cut-out	15
4.3. Installing the bench sensor F2 (optional)	16
4.4. Installing the humidity/temperature sensor FTS2 (optional, PRO B3 only)	16
<b>5. Electrical connection</b>	<b>17</b>
5.1. Connecting the power supply cable, heater and vaporizer	18
5.2. Connecting the light	18
5.3. Connecting a fan (optional, PRO B3 only)	18
5.4. Connecting a power booster (optional)	19
5.5. Connecting the heater sensor F1	19
5.6. Connecting the bench sensor F2 (optional)	19
5.7. Connecting the humidity/temperature sensor FTS2 (optional, PRO B3 only)	19
5.8. Connecting the safety shut-off/door sensor	20
5.9. Remote start	20
5.10. Finishing the installation	20

<b>6. Testing</b>	<b>21</b>
<b>7. Connection diagram</b>	<b>22</b>
<b>8. Commissioning</b>	<b>24</b>
8.1. Setting the function selection switch.....	24
8.2. Setting the heating time limit.....	24
8.3. Activating/deactivating phase alignment.....	25
8.4. Remote start release.....	25
8.5. Activating/deactivating the single-sensor mode.....	25
8.6. Activating vaporizer single mode (PRO B3 only).....	25
8.7. Displaying the heater temperature in single-sensor mode.....	26
8.8. Settings in the technician menu.....	26
<b>9. Operation</b>	<b>27</b>
9.1. Controls for PRO B2 .....	27
9.2. Controls for PRO B3.....	28
9.3. Switching on the light.....	28
9.4. Switching on the sauna control unit.....	29
9.5. Starting sauna mode.....	29
9.6. Starting Combi mode (PRO B3 only).....	30
9.7. Activating standby for remote operation.....	31
9.8. Setting the preset time.....	32
9.9. Cancelling the preset time function.....	33
9.10. Cancelling the post-drying program (PRO B3 only).....	33
9.11. Switching off sauna mode.....	33
9.12. Switching off the sauna control unit.....	33

<b>10.Cleaning and maintenance</b>	<b>34</b>
10.1. Cleaning	34
10.2. Maintenance	34
<b>11.Disposal</b>	<b>34</b>
<b>12.Troubleshooting</b>	<b>35</b>
12.1. Error messages	35
12.2. Low-water display (PRO B3 only)	36
12.3. Fuses	36
<b>13.Technical data</b>	<b>37</b>



# 1. About this instruction manual

Read these installation and operating instructions carefully and keep them within reach of the sauna control unit. This ensures that you can refer to information on safety and operation at any time.



These installation and operating instructions can also be found in the downloads section of our website: [www.sentiotec.com/downloads](http://www.sentiotec.com/downloads).

## **Symbols used for warning notices**

In these instructions for installation and use, a warning notice located next to an activity indicates that this activity poses a risk. Always observe the warning notices. This prevents damage to property and injuries, which in the worst case may be fatal.

The warning notices contain keywords, which have the following meanings:



### **DANGER!**

Serious or fatal injury will occur if this warning notice is not observed.

**EN**

### **WARNING!**

Serious or fatal injury can occur if this warning notice is not observed.



### **CAUTION!**

Minor injuries can occur if this warning notice is not observed.

### **ATTENTION!**

This keyword is a warning that damage to property can occur.

## **Other symbols**



This symbol indicates tips and useful information.

## 2. Important information for your safety

The PRO B2 / PRO B3 sauna control unit has been manufactured in accordance with the applicable safety regulations. However, hazards may arise during use. Therefore adhere to the following safety information and the specific warning notices in the individual chapters. Also observe the safety information for the devices connected.

### 2.1. Intended use

The PRO B2 / PRO B3 sauna control unit is used exclusively for operating and controlling the sauna functions in accordance with the technical data.

The PRO B2 / PRO B3 sauna control unit may only be used for operating and controlling a sauna heater which has been certified as satisfying the combustion test described in paragraph 19.101 of EN 60335-2-53. If the heater does not meet this requirement, an appropriate safety precaution must be taken (for example: Connecting the safety shut-off/door sensor, see **5.8 on page 20**).

The PRO B2 / PRO B3 sauna control unit may only be used for operating and controlling 3 heating circuits with a maximum heating output of 3.5 kW per heating circuit. The maximum vaporizer output (PRO B3 only) is 3.5 kW.

Any use exceeding this scope is considered improper use. Improper use can result in damage to the product, severe injuries or death.

## 2.2. Safety information for the installer

- Installation may only be performed by a qualified electrician or similarly qualified person.
- Work on the sauna control unit may only be performed when the power has been disconnected.
- A fully disconnecting all-pole isolating device compliant with overvoltage category III must be fitted on site.
- The sauna control unit must be installed outside the sauna cabin at a height of approx. 1.70 m or in accordance with the recommendation issued by the sauna manufacturer. The ambient temperature must be within a range spanning -10 °C to +40 °C.
- The heater sensor must be installed in such a way that it is not affected by inflowing air.
- The heater supply cable must have a minimum cross-sectional area of 2.5 mm<sup>2</sup> and be temperature-resistant up to 150 °C.
- Also comply with the regulations applicable at the installation location.
- For your own safety, consult your supplier in the event of problems that are not explained in sufficient detail in the installation instructions.

### 2.3. Safety information for the user

- The sauna control unit must not be used by children under 8 years of age.
- The sauna control unit may be used by children over 8 years of age, by persons with limited psychological, sensory or mental capabilities or by persons with lack of experience/knowledge, but only if:
  - They are supervised.
  - They have been shown how to use the device safely and are aware of the hazards that could occur.
- Children must not play with the sauna control unit.
- Children under 14 years of age may only clean the sauna control unit if they are supervised.
- For health reasons, do not use the sauna when under the influence of alcohol, medication or drugs.
- Make sure that no flammable objects have been placed on the sauna heater before the sauna control unit is switched on.
- Make sure that no flammable objects have been placed on the sauna heater before activating the preset time function or the standby mode for remote start.
- For your own safety, consult your supplier in the event of problems that are not described in sufficient detail in the operating instructions.

## 3. Product description

### 3.1. Scope of delivery

- Sauna control unit (depending on version PRO B2 / PRO B3)
- Heater sensor with integrated overheat cut-out
- Installation material

### 3.2. Optional accessories

- Bench sensor (1-009-231 / O-F2)
- Humidity/temperature sensor (1-010-081 / O-FTS2)
- Foil sensor (1-014-445 / P-ISX-FF)
- Power booster (1-008-779 / O-S2-18, 1-009-280 / O-S2-30)
- Cut-off rocker switch (SFE-xxxxx)
- Home door sensor (1-052-723 / SAB00103)
- MySentio Wifi (1-053-313 / S-WIFI01)
- MySentio Remote (1-053-314 / S-WIFI02)

### 3.3. Product features

#### **PRO B2**

The sauna control unit PRO B2 features the following functions:

- Regulation of sauna heaters with a heating output of up to 10.5 kW in the temperature range spanning 30 °C to 110 °C.
- A power booster allows the maximum switching capacity to be increased from 10.5 kW to 18 kW or 30 kW.
- Switching a cabin light (up to 100 W)
- Remote start function
- Door monitoring system
- Preset time function (up to 24 hours)
- Automatic heating time limit

The sauna control unit shuts down automatically after the maximum heating time for safety reasons. The maximum heating period can be set to 6 h, 12 h, 18 h or 24 h.

- **Overheat cut-out**  
The overheat cut-out is installed in the housing for the heater sensor. If a defect causes the sauna heater to continue heating after reaching the preferred temperature, the overheat cut-out switches the sauna heater off at a temperature of around 139 °C.

### **PRO B3**

Same functional scope as the PRO B2, with the following additional features:

- Regulation of combi heaters with a heating output of up to 10.5 kW and vaporizer output of up to 3.5 kW in the temperature range spanning 30 °C to 110 °C and a humidity range spanning 5% to 100 %.
- **Post-drying program**  
After operation in combined mode, the post-drying program starts automatically to prevent mould or rot from forming in the sauna cabin. This involves heating the sauna cabin to 80°C with the fan running.  
The duration can be set from OFF - 60 minutes.

## **3.4. Sauna operating modes**

The sauna control unit PRO B2 enables sauna mode. The sauna control unit PRO B3 enables two operating modes, sauna mode and combi mode.

### **Sauna mode**

Dry heat is provided in sauna mode. The temperature in the cabin is high (80 to 100°C). The humidity is low (no more than 10%).

### **Combi mode (PRO B3 only)**

In combined mode, the vaporizer operates along with the heater. The temperature in the sauna cabin is lower (around 40 to 65 °C) than in sauna mode, but the relative humidity is much higher, ranging from 35% to 70%. The maximum humidity that can be set depends on the temperature of the sauna. The higher the sauna temperature, the lower the maximum humidity level which can be set (see characteristic curve on page 11).

### 3.5. Sensor operating modes

The sauna control unit can be operated with one or two sensors. A temperature sensor (bench sensor, F2) or a humidity/temperature sensor (FTS2, PRO B3 only) can be used as the second sensor.

#### ***Single sensor mode (F1)***

Single-sensor mode must be activated using the function selection switch (see **8.5. Activating/deactivating the single-sensor mode on page 25**).

In single-sensor mode, the sauna control unit is operated with the heater sensor with overheat cut-out (F1) only. This is included in the scope of delivery.

In single-sensor mode, the sauna control unit only displays the set temperature as standard. The actual temperature is not displayed. If the sauna control unit is to display the temperature above the heater (F1 sensor) as the actual temperature in single-sensor mode, this must be activated during commissioning (see page **8.7. Displaying the heater temperature in single-sensor mode on page 26**).

**PRO B3 only:** The maximum humidity level which can be set is based on the temperature above the heater, and the humidity is timed. Only the set value for the humidity level (in % of relative humidity) is displayed by the sauna control unit. The actual humidity in the sauna cabin when the humidity is timed depends on the size of the cabin and the vaporizer output, and may differ from the setpoint.

EN

#### ***Two-sensor mode with bench sensor (F2)***

Two-sensor mode is the factory setting.

In two-sensor mode with bench sensor, a second temperature sensor (bench sensor) is installed above the rear sauna bench. The sauna control unit displays the temperature measured by the bench sensor as the actual temperature.

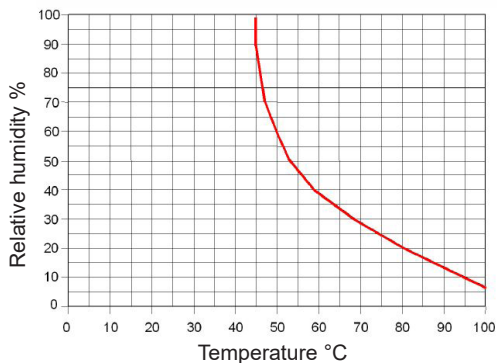
**PRO B3 only:** In two-sensor mode with bench sensor, the humidity is timed. Only the preset value for the humidity (in % relative humidity) is shown on the display of the sauna control unit. The actual humidity in the sauna cabin when the humidity is timed depends on the size of the cabin and the vaporizer output, and may differ from the setpoint.

**PRO B3 only:****Two-sensor mode with humidity/temperature sensor (FTS2)**

Two-sensor mode is the factory setting.

When a humidity/temperature sensor is used in two-sensor mode, the sauna control unit displays the temperature which is measured by the humidity/temperature sensor as the actual temperature.

In two-sensor mode with humidity/temperature sensor, the vaporizer is regulated in accordance with the humidity level measured in the sauna cabin. The sauna control unit displays the actual humidity (in % relative humidity) in the sauna cabin.



EN 60335-2-53:2011; characteristic temperature / relative humidity for proper use.



## 4. Installation

### 4.1. Installing the sauna control unit

---

**ATTENTION!*****Damage to the unit***

The sauna control unit is resistant to splashing water, but direct contact with water could still damage it.

- Install the sauna control unit in a dry place at which a maximum humidity of 95% is not exceeded.
- 

**ATTENTION!*****Interference can impair signal transmission***

- Route all sensor cables separately from other mains cables and control cables.
  - Protect cables with only one layer of insulation by using a conduit (double insulation).
- 

Observe the following points when installing the sauna control unit:

- The sauna control unit must be installed outside the sauna cabin or in accordance with the recommendation issued by the sauna manufacturer.
- The ambient temperature must be within a range spanning  $-10^{\circ}\text{C}$  to  $+40^{\circ}\text{C}$ .
- The sensors may only be connected using the sensor cables supplied with the unit, which are heat-resistant up to  $150^{\circ}\text{C}$ .



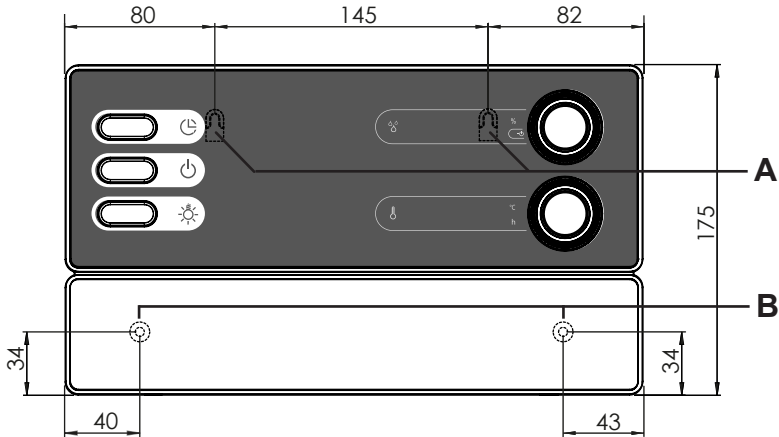
---

The sensor leads may be extended under the following conditions:

- A silicon cable resistant to temperatures up to  $150^{\circ}\text{C}$  is used.
  - The minimum cross-sectional of the cable is  $0.5\text{ mm}^2$ .
  - The heater sensor cables may NOT be longer than 10 m.
-

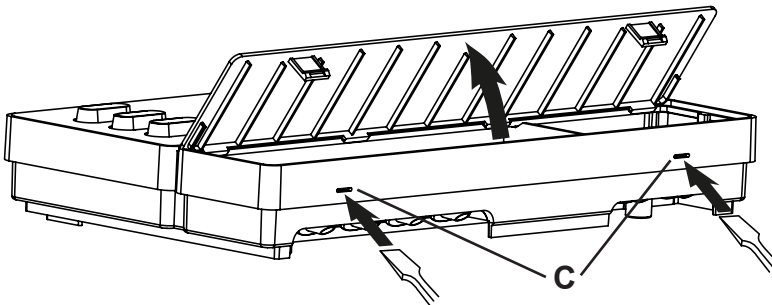
To install the sauna control unit, perform the following steps:

1. Screw two cross-head screws (16 mm) into the wall of the sauna at a height of approx. 1.70 m and leaving a protruding length of 7 mm. The two screws must be placed at a distance of 145 mm from each other (see **Fig.1**).



**Fig.1 Position of the attachment device and the installation holes (dimensions in mm)**

2. Press the clip locks **C** in lightly using a screwdriver and remove the cover from the housing (see **Fig.2**).
3. Fasten the sauna control unit onto the cross-head screws using attachment device **A** as an aid (see **Fig.1**).
4. Screw two cross-head screws (16 mm) into the lower fastening holes **B** (see **Fig.1**).



**Fig.2 Removing the cover from the housing**

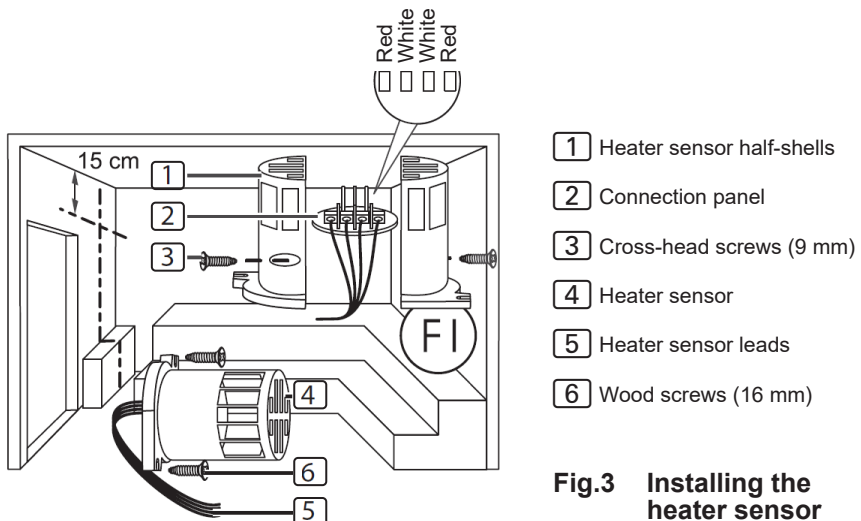
## 4.2. Installing the heater sensor F1 with overheat cut-out

Note the following points when installing the heater sensor:

- The heater sensor must be installed on the rear of the heater, above the middle of the sauna heater. A distance of about 15 cm from the ceiling of the cabin must be maintained.
- The heater sensor must be installed in such a way that it is not affected by inflowing air.

To install the heater sensor, carry out the following steps (see **Fig.3**):

1. Route the two 2-pole heater sensor cables in the wall of the sauna cabin to the installation location of the heater sensor and affix the heater sensor cables using cable clips.
2. Pull the two half-shells **1** of the heater sensor apart.
3. Connect the four connections for the heater sensor lead **5** in accordance with **Fig.3**.
4. Place the connection panel **2** crossways (as shown in **Fig.3**) in the heater sensor half-shells.
5. Place the two half-shells together, screw them together using two cross-head screws **3** (9 mm) and check whether the heater sensor has been securely closed.
6. Install the heater sensor on the rear of the heater using the two supplied wood screws **6** (16 mm).



### **4.3. Installing the bench sensor F2 (optional)**

The bench sensor must be installed on the wall of the cabin above the rear bench seat. A distance of about 15 cm from the ceiling of the cabin must be maintained.

To install the bench sensor, carry out the following steps:

1. Route the 2-pole bench sensor lead in the wall of the sauna cabin to the mounting location of the bench sensor and affix the bench sensor leads using cable clips.
2. Pull the two half-shells of the bench sensor apart.
3. Connect the two connectors for the bench sensor lead to the two middle terminals on the connection panel.
4. Place the connection panel crossways in the bench sensor half-shells.
5. Place the two half-shells together and screw them together using the two cross-head screws (9 mm).
6. Check whether the bench sensor has been securely closed.
7. Install the bench sensor on the wall of the sauna cabin using the two supplied wood screws (16 mm). Maintain a clearance of 15 cm from the roof of the sauna cabin.

### **4.4. Installing the humidity/temperature sensor FTS2 (optional, PRO B3 only)**

The humidity/temperature sensor must be installed on the wall of the cabin above the rear bench seat. A distance of approx. 15 cm from the ceiling of the cabin must be maintained.

To install the humidity and temperature sensor, perform the following steps:

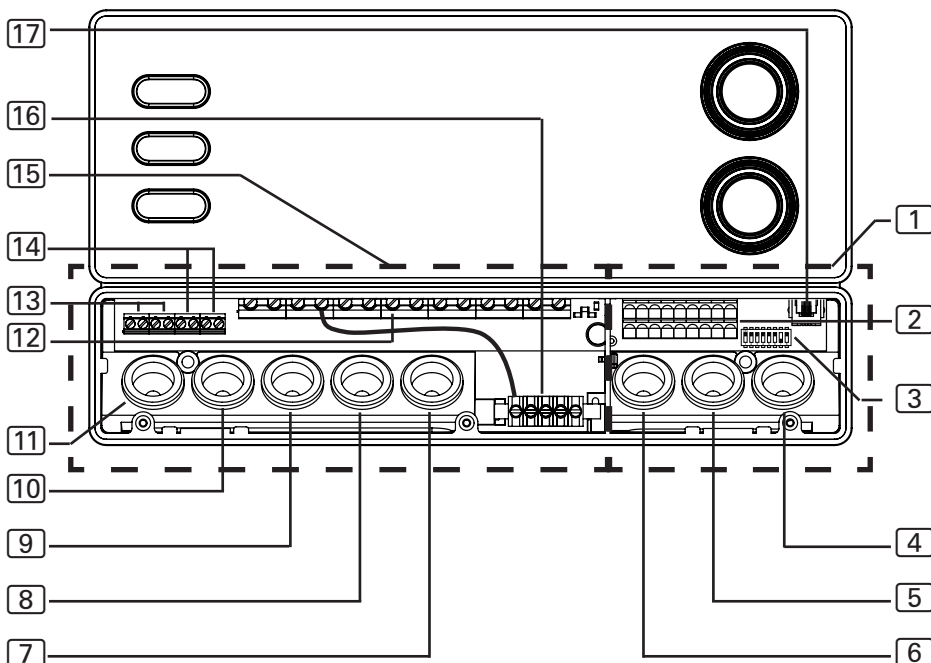
1. Route the 5-pole sensor cable in the wall of the sauna cabin to the mounting position of the humidity/temperature sensor and affix the sensor leads using cable clips.
2. Install the humidity/temperature sensor to the wall of the sauna cabin using the two supplied wood screws (16 mm). Maintain a clearance of 15 cm to the roof of the sauna cabin.

## 5. Electrical connection

### ATTENTION!

#### *Damage to the unit*

- The sauna control unit may only be used for operating and controlling 3 heating circuits with a maximum heating capacity of 3.5 kW per heating circuit. The maximum vaporizer output (PRO B3 only) is 3.5 kW.



- |   |   |
|---|---|
| 1 Low-voltage connection area   | 9 Cable gland for power supply cable                              |
| 2 Terminal strips for safety shut-off device, remote start and sensor wires | 10 Cable gland for power booster                                  |
| 3 Function selection switch   | 11 Cable gland for light and fan                                  |
| 4 Cable bushing for F2 and FTS2 sensors                                     | 12 Terminal strip for heater and vaporizer and power supply cable |
| 5 Cable bushing for F1 sensor   | 13 Terminal strip for lights and fan                              |
| 6 Cable gland for safety shut-off and remote start                          | 14 Terminal strip for power booster                               |
| 7 Cable bushing for vaporizer cable   | 15 Connection area for 230 V/400 V                                |
| 8 Cable gland for heater cable  | 16 Earthing bar   |
|   | 17 RJ45 socket for RS485 and MySento WiFi                         |

Observe the following points when connecting the power to the sauna control unit:

- Installation may only be performed by a qualified electrician or similarly qualified person.



---

Please observe that in the event of a guarantee claim, a copy of the bill from the electrician performing the work must be presented.

---

- Work on the sauna control unit may only be performed when the power has been disconnected.
- There must be a fixed connection for the electrical power supply.
- A fully disconnecting all-pole isolating device compliant with overvoltage category III must be fitted on site.
- Observe the connection diagram **Fig.4** on page **22** or **Fig.5** on page **23**.

### 5.1. Connecting the power supply cable, heater and vaporizer

1. Feed the power supply, heater and vaporizer cables (PRO B3 only) through the cable glands **9**, **8**, **7** into the connection area for 230 V/400 V **15**.
2. Connect the cables to the terminal strip **12** in accordance with the connection diagram. Follow the operating instructions for each device.
3. If the vaporizer does not feature an automatic low-water shut-off function, then perform the following step as well:
  - Use the wire jumper enclosed to connect terminal "**V1**" to terminal "**Wm**".

### 5.2. Connecting the light

1. Feed the light cable through the cable gland **11** into the connection area for 230 V/400 V **15**.
2. Connect the light cable to the terminal strip **13** in accordance with the connection diagram. Observe the operating instructions for the respective device.

### 5.3. Connecting a fan (optional, PRO B3 only)

1. Feed the fan cable through the cable gland **11** into the connection area for 230 V/400 V **15**.
2. Connect the fan cable to the terminal strip **13** in accordance with the connection diagram. Observe the operating instructions for the respective device.

## 5.4. Connecting a power booster (optional)

1. Feed the cable for the power booster through the cable gland **[10]** into the connection area for 230 V/400 V **[15]**.
2. Connect the cable for the power booster to the terminal strip **[14]** in accordance with the connection diagram. To do so, use terminal “**ST1**” for the safety circuit, and terminal “**ST2**” for the control circuit. Follow the operating instructions for each device.

## 5.5. Connecting the heater sensor F1

1. Feed the wires for the heater sensor through the cable gland **[5]** into the low-voltage connection area **[1]**.
2. Connect the red wires for the heater sensor to the terminals labelled “**STB**” in terminal strip **[2]**.
3. Connect the white wires for the heater sensor to the terminals labelled “**F1**” in terminal strip **[2]**.

## 5.6. Connecting the bench sensor F2 (optional)

1. Feed the wires for the bench sensor through the cable gland **[4]** into the low-voltage connection area **[1]**.
2. Connect the wires for the bench sensor to the terminals labelled “**F2**” in terminal strip **[2]**.

EN

## 5.7. Connecting the humidity/temperature sensor FTS2 (optional, PRO B3 only)

1. Feed the wires for the sensor through the cable gland **[4]** into the low-voltage connection area **[1]**.
2. Connect the wires for the temperature sensor to the terminals labelled “**F2**” in terminal strip **[2]**.
  - a. the black wire to the right terminal.
  - b. the brown wire to the left terminal.
3. Connect the wires for the humidity sensor to the terminals labelled “**+ S -**” in terminal strip **[2]**.
  - c. the green wire to terminal “**+**”.
  - d. the orange wire to terminal “**S**”.
  - e. the red wire to terminal “**-**”.

## 5.8. Connecting the safety shut-off/door sensor

EN 60335-2-53 states that sauna control units with a remote control function may only be used for operating and controlling a sauna heater which has satisfied the combustion test described in paragraph 19.101. Alternatively, a suitable safety shut-off (e.g. cut-off rocker switch) / door-open sensor can be installed. This shuts the sauna heater off if items (such as a towel) are placed on the sauna heater or the sauna door is opened.

To install the safety shut-off device, perform the following steps:

1. Install the safety shut-off device in accordance with the operating instructions for the device.
2. Feed the cables for the safety shut-off through the cable gland **6** into the low-voltage connection area **1**.
3. Connect the cables to the terminals labelled “**OSG**” in terminal strip **2**.



---

If a safety shut-off is not installed, a jumper must be fitted at the terminals labelled “**OSG**”.

---

## 5.9. Remote start

The remote start device is connected using terminals “**S**”, “**B**” and “**C**”. “**S**” stands for sauna mode and “**C**” for vaporizer mode. “**B**” is a +24 V DC output. The preferred operating mode must be activated using a switch or actuator on the terminal.

## 5.10. Finishing the installation

1. Connect the protective earth conductors for the power supply cable and all devices to the earthing bar **16**.
2. Place the cover of the housing on the upper edge of the junction box.
3. Push the clip locks inwards lightly, and turn the cover of the housing downwards until it engages audibly.



## 6. Testing

The following tests must be performed by a qualified electrician.



### **WARNING!**

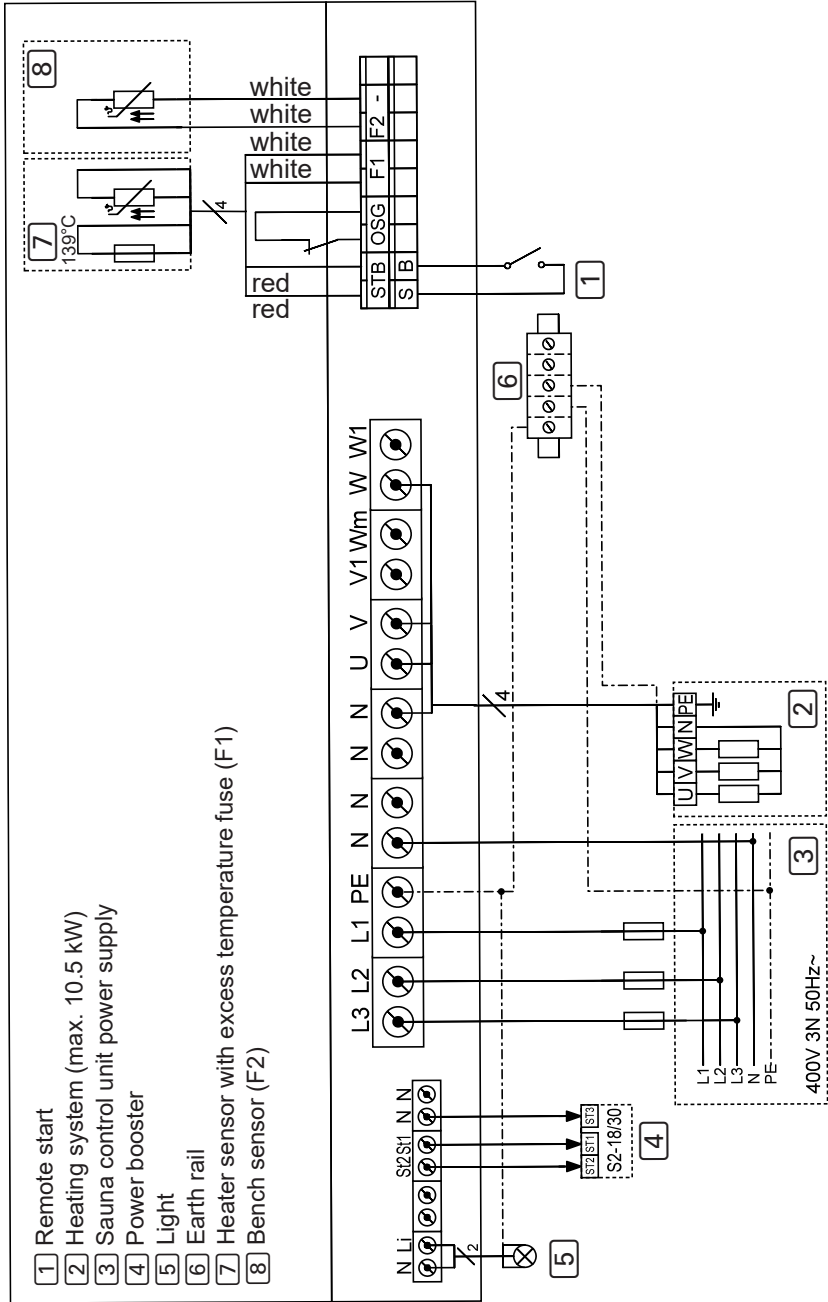
***The following tests must be carried out with the power supply switched on. There is a danger of electric shock.***

- NEVER touch live parts.

1. Check the contact of the earth conductors on the earth conductor terminal.
2. Check the overheat cut-out on the heater sensor F1.
  - a. Switch on the sauna control unit.
  - b. Open the heater sensor and disconnect one of the two red heater sensor wires.
    - ▶ "Err" shows in the top display, "02" shows in the bottom display and the control unit switches off the heater.
  - c. Switch off the sauna control unit.
  - d. Reconnect the red heater sensor wire.
  - e. Now disconnect one of the white heater sensor wires.
  - f. Switch on the sauna control unit.
    - ▶ "Err" shows in the top display, "04F1" shows in the bottom display and the control unit switches off the heater.
  - g. Switch off the sauna control unit.
  - h. Reconnect the white heater sensor wire.
3. Check the phase circuit for sauna mode L1, L2, L3 is connected to U, V, W.
4. Check the maximum permissible heating output of 3.5 kW per phase on the sauna control unit.
5. PRO B3 only: Check that the phase circuit for vaporizer mode L1, L2, L3 is connected to U, V1, W.
6. If there is an optional power booster:
  - a. Check the control cables ST1, ST2 and ST3.
  - b. Check the maximum permissible heating output of 3 kW per phase on the power booster S2-18.
  - c. Check the maximum permissible heating output of 7 kW per phase on the power booster S2-30.

# 7. Connection diagram

**Fig.4 Connection diagram for PRO B2**



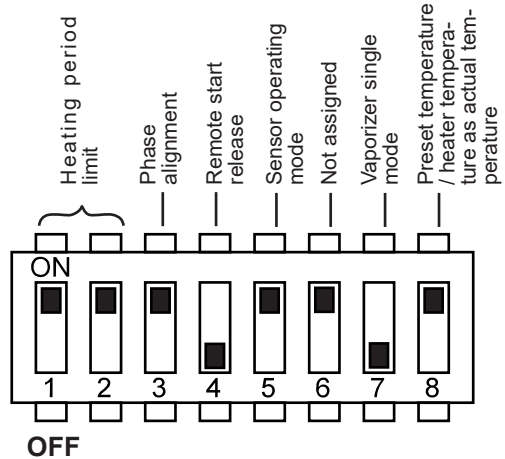


## 8. Commissioning

### 8.1. Setting the function selection switch

The function selection switch in the low-voltage connection area allows a variety of product functions to be activated. The figure at the right shows the standard setting for the function selection switch.

Note that the control unit needs to be switched off for 10 seconds after making changes so that the settings are saved.



**Fig.6** Function selection switch - Standard setting

### 8.2. Setting the heating time limit

The maximum heating time is set to 6 hours as standard. The sauna control unit shuts down automatically after the maximum heating time for safety reasons.

The function selection switch in the low-voltage connection area allows the maximum heating period to be set to 12 hours, 18 hours or 24 hours. The required positions of the function selection switch can be found in the table on the right.

<i>Function selection switch</i>	1	2
6 hours	ON	ON
12 hours	OFF	ON
18 hours	ON	OFF
24 hours	OFF	OFF



EN 60335-2-53 specifies a maximum heating time limit of 6 hours for private saunas. For saunas in hotels, apartment blocks and similar locations, a maximum heating time limit of 12 hours is permissible. Extending the heating period limit to 18 hours or 24 hours is only permitted in public saunas.

### 8.3. Activating/deactivating phase alignment

Phase alignment is activated or deactivated using the function selection switch **3**.

- The function selection switch **3** is set to the ON position as standard. Phase alignment is therefore activated.
- If you wish to deactivate phase alignment, place the function selection switch **3** in the OFF position.

### 8.4. Remote start release

Function selection switch **4** can be used to select the function of the remote start output (please see EN 60335-2-53).

- Function selection switch **4** is set to the OFF position as standard. The remote start is activated using “Standby for remote control”.
- If you want to enable the remote start output for various devices (e.g. coin-operated unit, remote start system, door monitoring), set function selection switch **4** to the ON position.

### 8.5. Activating/deactivating the single-sensor mode

In single-sensor mode, the sauna control unit is operated with the heater sensor with an excess temperature fuse (F1) only. The single-sensor mode must be activated using the function selection switch **5**.

- The function selection switch **5** is set to the ON position as standard. Two-sensor mode is therefore activated.
- If you wish to deactivate single-sensor mode, place the function selection switch **5** in the OFF position.

### 8.6. Activating vaporizer single mode (PRO B3 only)

The vaporizer is factory set so that it can only be operated together with the heating system. To operate the vaporizer on its own without the heating system, vaporizer single mode must be activated using the function selection switch **7**.

- Function selection switch **7** is set to the OFF position as standard. This means vaporizer single mode is deactivated.
- If you wish to activate vaporizer single mode, place the function selection switch **7** in the ON position.

## 8.7. Displaying the heater temperature in single-sensor mode

In single-sensor mode, the sauna control unit only displays the set temperature as standard. The actual temperature is not displayed. If the sauna control unit is to display the temperature above the heater (F1 sensor) as the actual temperature in single-sensor mode, this must be activated using the function selection switch **8**.

- The function selection switch **8** is set to the ON position as standard. Therefore only the set temperature is displayed.
- If the temperature above the heater is to be displayed as an actual temperature, place the function selection switch **8** in the OFF position.



Ensure that the temperature above the heater is always higher than the temperature in the area of the bench seat. With the heater temperature as the actual temperature, the temperature displayed by the sauna control unit is higher than the temperature measured by your sauna cabin thermometer.

## 8.8. Settings in the technician menu

### *Opening the technician menu*

Additional settings can be made in the technician menu. To access the technician menu, perform the following steps:

1. The sauna control unit must be switched off
2. Simultaneously press the On/Off switch **6**, the preset time button **7** and the temperature selector **3**.
  - ▶ “SEtt” will appear in the top display **1**
3. Press the temperature selector **3** to access the setting you wish to change

### *Setting the duration of the post-drying program (PRO B3 only)*

The maximum duration of the post-drying program is set to 60 min as standard. If you wish to change this setting, perform the following steps:

1. Open the technician menu
  - ▶ “dry” will appear in the top display **1**
  - ▶ “t30” will appear in the bottom display **4**
2. Use the temperature selector **3** to set the preferred value: (Selection 0–60; 0 = post-drying program switched off; 60 = maximum duration in minutes)

**Activating the safety shut-off/door sensor**

1. Open the technician menu (see 26)
  - ▶ “SdO” will appear in the top display [1]
  - ▶ “SAFE” (= default setting) will appear in the bottom display [4]
2. Use the temperature selector [3] to set the preferred value:
  - “SAF” means the safety shut-off is activated (standard)
  - “dor” means DOOR – the door sensor is activated

**Saving settings and exiting the technician menu**

Press the temperature selector [3] for about 3 seconds.

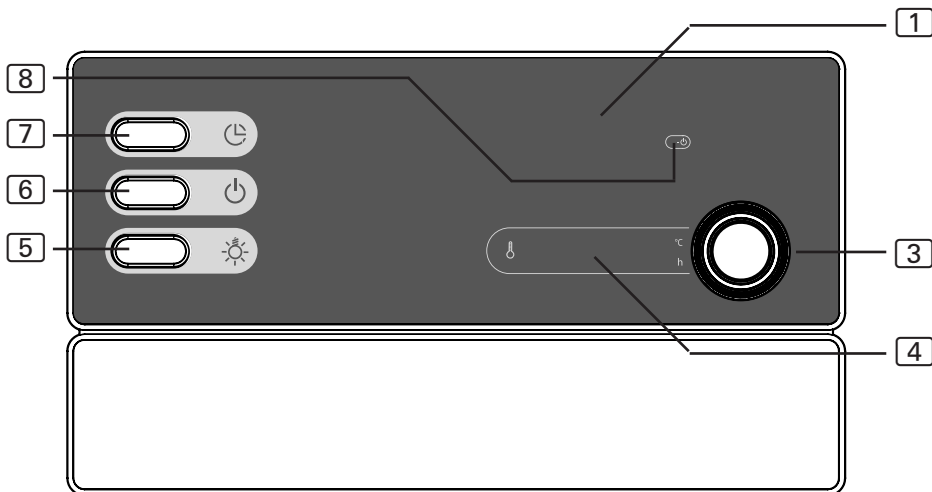
**Querying the software version**

1. Press the ON/OFF switch [6] to switch on the sauna control unit
2. Press and hold the preset time button [7] and the temperature selector [3] for 5 seconds
  - ▶ The software version “5.00.5” will appear in the top display [1]

EN

## 9. Operation

### 9.1. Controls for PRO B2



[1] Additional display

[2] -

[3] Temperature selector

[4] Temperature display

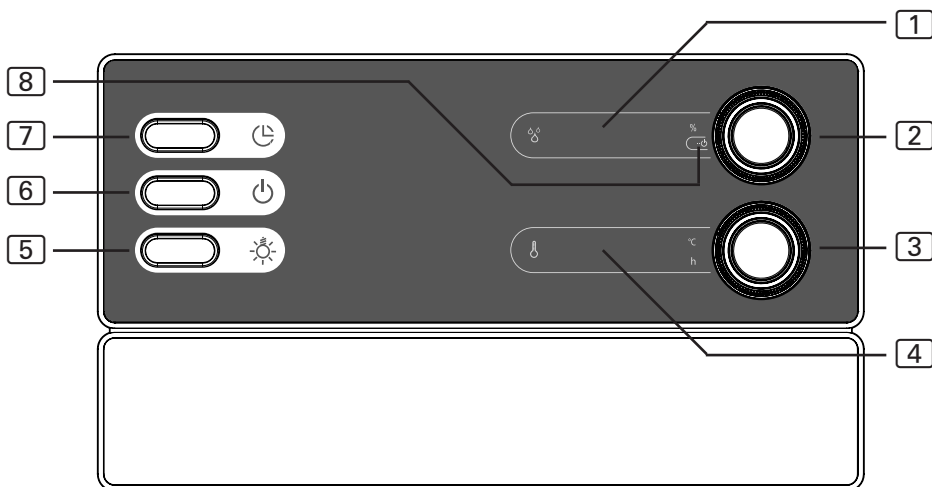
[5] Light switch

[6] ON/OFF switch

[7] Preset time button

[8] Remote start indicator

## 9.2. Controls for PRO B3



1 humidity display

2 humidity selector

3 Temperature selector

4 Temperature display

5 Light switch

6 ON/OFF switch

7 Preset time button

8 Remote start indicator

## 9.3. Switching on the light

The light in the sauna cabin can be switched on and off independently of the ON/OFF switch [6].

- To switch the light on or off, press the light switch [5].



## 9.4. Switching on the sauna control unit



### WARNING!

#### *Risk of fire*

Flammable objects that are placed on the sauna heater could ignite and cause fires.

- NEVER place combustible objects on the sauna heater.
- Make sure that NO flammable objects have been placed on the sauna heater before the sauna control unit is switched on.

- Press the ON/OFF switch **[6]** to switch on the sauna control unit.
  - ▶ “0” appears for a few seconds in the temperature display **[4]**. Then the current temperature in the sauna cabin is displayed. In single-sensor mode, the previously set preset temperature is displayed.
  - ▶ PRO B3 only: “0” appears for a few seconds in the humidity display **[1]**. Then the current humidity in the sauna cabin is displayed. If a humidity temperature sensor is not installed, the last preset humidity is displayed.

## 9.5. Starting sauna mode

EN

1. Use the temperature selector **[3]** to set the preferred temperature.
  - ▶ The temperature selector **[3]** flashes and the preset temperature is shown in the temperature display **[4]**.
2. Press the temperature selector **[3]**.
  - ▶ The sauna heater is switched on and begins to heat up.
  - ▶ The current temperature in the cabin is displayed in the temperature display **[4]**. In single-sensor mode, the preset temperature is displayed.



You can change the preset temperature during operation any time.

- Turn the temperature selector **[3]** to the right to increase the temperature.
- Turn the temperature selector **[3]** to the left to decrease the temperature.
- ▶ The temperature selector **[3]** flashes and the newly set temperature is applied.

## 9.6. Starting Combi mode (PRO B3 only)

1. Use the temperature selector **3** to set the preferred temperature.
  - ▶ The temperature selector **3** flashes and the preset temperature is shown in the temperature display **4**.
2. Press the temperature selector **3**.
  - ▶ The sauna heater is switched on and begins to heat up.
  - ▶ The current temperature in the cabin is displayed in the temperature display **4**. In single-sensor mode, the preset temperature is displayed.
3. Use the humidity selector **2** to set the preferred humidity.
  - ▶ The humidity selector **2** flashes and the preset humidity is shown in the humidity display **1**.
4. Press the humidity selector **2**.
  - ▶ The vaporizer switches on.
  - ▶ Then the current humidity in the sauna cabin is displayed in the humidity display **1**. If a humidity temperature sensor is not installed, the preset humidity is displayed.



---

If the sauna control unit is used without a humidity/temperature sensor (FTS2), cyclic mode is activated. If the sauna cabin temperature is less than 30° C, the vaporizer is activated continuously for 10 minutes. This ensures that the water in the tank reaches a basic temperature level. Cycle mode then starts.

---



---

The vaporizer can only be started when the sauna heater is switched on. The maximum humidity that can be set depends on the temperature of the sauna. The higher the sauna temperature, the lower the maximum humidity level which can be set – see **characteristic curve on 12**.

---

**Exception:** Vaporizer single mode is activated (see ). The vaporizer can also be operated here without the sauna heater, with the maximum humidity depending on the current sauna cabin temperature.

---

## 9.7. Activating standby for remote operation

EN 60335-2-53 specifies that sauna control units with a remote start function must be set manually to “Standby for remote operation” mode.



This activation must take place again after each remote start and stop procedure.

### ***With safety shut-off activated (standard)***

Perform the following steps:

1. Press the temperature selector **[3]** for three seconds (long press).
  - ▶ The remote start indicator **[8]** starts flashing.
  - ▶ The sauna control unit is then ready to be started and stopped using a remote start signal.
  - ▶ After a remote start and stop, the remote start indicator goes out and the mode has to be activated again.

### ***When the door sensor is activated***

1. Press the temperature selector **[3]** for three seconds (long press).
  - ▶ In the bottom display, a countdown of 30 seconds is displayed. The door can be opened and closed as many times as desired during this time. After the countdown has elapsed, the door must be closed!
  - ▶ The remote start indicator **[8]** is flashing
  - ▶ The sauna control unit is now ready to be started and stopped once using a remote start signal = “Standby for remote operation” mode

#### *Door is opening – warning “door” appears in the display*

- In “Standby for remote operation” mode:  
To continue the mode, the door must be closed and the warning acknowledged with a long press on the bottom knob. ▶ The countdown (30 seconds) appears again in the display.
- In ongoing operation or if remote start output is enabled (for coin-operated units or door sensor system):  
Acknowledgement takes place automatically when the door is closed.

## 9.8. Setting the preset time

---









### **WARNING!**

#### ***Risk of fire***

Combustible objects that are placed on the heater will ignite and cause fires.

- NEVER place combustible objects on the sauna heater.
  - Make sure that NO flammable objects have been placed on the sauna heater before you activate the preset timer function.
- 

You can set the preset time in 15 minute intervals. The maximum preset time totals 24 hours. The preset time is shown in hours and minutes, e.g. 8 hours and 15 minutes is shown as 8.15.

1. Start the sauna mode or the combi mode (see point **9.5** and **9.6**)
2. Press the preset time button   
  - ▶ The temperature selector  flashes and the previously set preset time is shown in the temperature display .
3. Press the preset time button  to increase the preset time in 15 minute intervals.
4. Once you have reached the required preset time, wait a few seconds.
  - ▶ The sauna control unit changes to standby mode and the timer starts running.
  - ▶ The temperature display  shows the remaining preset time and the temperature selector  flashes.
  - ▶ Once the preset time has elapsed, the selected mode is started.



---

The most recently selected preset time is saved, which means the last value can be recalled at the touch of a button. To reset the preset time to 00:00, press the preset time button for three seconds (long press).

---

## 9.9. Cancelling the preset time function

- Hold down the preset time button **[7]** for three seconds (long press) to cancel the preset time function.
  - ▶ The preset time countdown is cancelled.
  - ▶ The current temperature in the cabin is displayed in the temperature display **[4]**. In single-sensor mode, the preset temperature is displayed.

## 9.10. Cancelling the post-drying program (PRO B3 only)

After combined mode, the post-drying programme is started automatically. This involves heating the sauna cabin to 80°C with the fan running. (Standard = 30 minutes – depending on the setting in the technician menu). The text "dry" appears in the temperature display **[4]**.

- Hold down the temperature selector **[3]** for three seconds (long press) to cancel the post-drying program.



---

To prevent mould and rot from forming, the post-drying programme should NOT be stopped.

---

**EN**

## 9.11. Switching off sauna mode

- Press the temperature selector **[3]**.
  - ▶ The sauna heater switches off. For the PRO B3, after combi mode (at least 3 minutes), the post-drying program is started automatically.

## 9.12. Switching off the sauna control unit

- Press the ON/OFF switch **[6]**, to switch off the sauna control unit.
  - ▶ The humidity display **[1]** and the temperature display **[4]** go out.
  - ▶ The sauna control unit is switched off.

## 10. Cleaning and maintenance

### 10.1. Cleaning

---

**ATTENTION!*****Damage to the unit***

The sauna control unit is resistant to splashing water, but direct contact with water could still damage it.

- NEVER immerse the unit in water.
  - Do not pour water over the unit.
  - Do not get the unit too wet when cleaning it.
- 

1. Soak a cleaning cloth in a mild, soapy water.
2. Wring out the cloth well.
3. Carefully wipe the housing of the sauna control unit.

### 10.2. Maintenance

The sauna control unit does not require any maintenance.

## 11. Disposal



- Dispose of packaging materials in accordance with the applicable waste disposal regulations.
- Used devices contain reusable materials as well as hazardous substances. Therefore, do not dispose of your used device with household waste, but do so in accordance with the locally applicable regulations.

## 12. Troubleshooting

### 12.1. Error messages

The sauna control unit is equipped with diagnostic software which monitors system statuses when it is switched on and during operation. As soon as the diagnostic software identifies an error, the sauna control unit switches off the sauna heater.

Errors are indicated by a recurring warning tone and by flashing on the humidity selector **[2]** and the temperature selector **[3]**. Furthermore, "Err" appears in the humidity display **[1]**. The error number is shown in the temperature display **[4]**.

Switch the sauna control unit off using the ON/OFF switch **[6]** and rectify the error before switching the sauna control unit on again.

The following table describes the possible faults and their causes. If necessary, quote the error number to your customer service specialist.

<i>Error</i>	<i>Description</i>	<i>Cause/remedy</i>
01	Safety shut-off	An object has been placed on the sauna heater. Remove any objects before starting up the sauna heater again.  If no safety shut-off is fitted, note <b>5.8 on page 20</b> .
02	Safety temperature limiter	The maximum temperature of 139 °C has been exceeded above the heater.
04F1	Heater sensor error	Defective heater sensor, poor contact, or short circuit.
06F2	Bench sensor error	Defective bench sensor, poor contact, or short circuit.
07	Humidity sensor error	Defective humidity sensor, poor contact, or short circuit
door	Sauna door open	The sauna control unit is equipped with a door sensor. Close the door or check the connections and settings.

## 12.2. Low-water display (PRO B3 only)

The sauna control unit features an automatic low-water cut-out feature which is active in combi mode, as long as your combi heater supports it.

If the water tank in the vaporizer is empty, this is indicated by a recurring warning tone and the text "FILL" appears in the humidity display [1]. The vaporizer switches off at the same time.

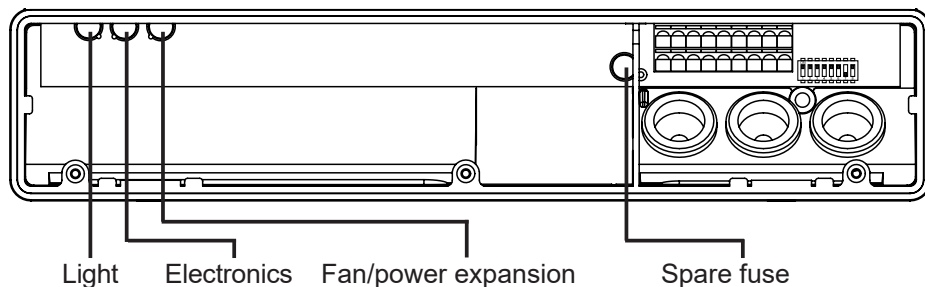
- Pour water into the water tank in the vaporizer.
  - ▶ After a short period, the text "FILL" goes out and the vaporizer starts heating up again.

## 12.3. Fuses

Fuses for light, fan/power expansion and electronics as well as a spare fuse are located in the sauna control unit's connection area.

These are 1A time delay micro fuses.

They can be ordered using the item number PRO-FUSE.



In order to replace the fuse, pull the fuse link straight out and insert the new fuse.



## 13. Technical data

### **Ambient conditions**

Storage temperature:	-25 °C to +70 °C
Ambient temperature:	-10 °C to +40 °C
Air humidity:	max. 95%

### **Sauna control unit**

Dimensions:	307 x 175 x 57 mm
Voltage rating/three-phase 3N:	400 V AC
Frequency:	50 Hz
Contact rating/heater:	3 x 3.5 kW
Current rating per phase/heater:	16 A
Switching capacity / vaporizer (PRO B3 only):	3.5 kW
Switched current / vaporizer (PRO B3 only):	16 A
Rated voltage:	230 V
Protection class (protected against splashing water):	IPX4
Connection to the mains supply as fixed wiring (fixed connection)	

### **Light**

Power rating:	100 W
Fuse:	1A T

### **Fan**

Power rating:	100 W
Fuse:	1A T

### **Setting ranges**

Temperature:	30°C to 110°C
Humidity:	0 % to 100 %

The maximum humidity that can be set depends on the temperature of the sauna. The higher the sauna temperature, the lower the maximum humidity level which can be set.

---

**Thermal safety**

---

Heater sensor with overheat cut-out (139°C cut-out temperature)  
Adjustable automatic heating period (6 h, 12 h, 18 h, 24 h)  
Optional single-sensor mode or two-sensor mode

---

**Connection cables**

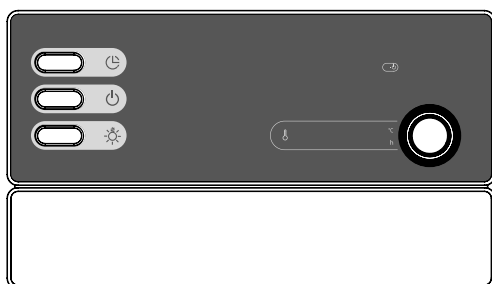
---

Power supply cable:	min. 5 × 2.5 mm <sup>2</sup>
Heater supply cable (temperature-resistant up to 150 °C):	min. 2.5 mm <sup>2</sup>
Sensor cables (temperature-resistant up to 150 °C):	min. 0.5 mm <sup>2</sup>
Light cable:	min. 1.5 mm <sup>2</sup>
Fan cable:	min. 1.5 mm <sup>2</sup>

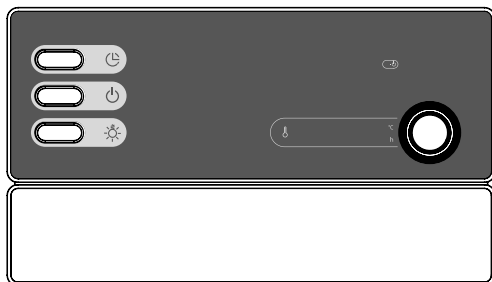
# Saunasteuerung

## PRO B2 / PRO B3

MONTAGE- UND GEBRAUCHSANWEISUNG  
Deutsch



**PRO-B2 / 1-015-455**



**PRO-B3 / 1-015-457**

DE

# Inhaltsverzeichnis

<b>1. Zu dieser Anleitung</b>	<b>5</b>
<b>2. Wichtige Hinweise zu Ihrer Sicherheit</b>	<b>6</b>
2.1. Bestimmungsgemäßer Gebrauch	6
2.2. Sicherheitshinweise für den Monteur	7
2.3. Sicherheitshinweise für den Anwender	8
<b>3. Produktbeschreibung</b>	<b>9</b>
3.1. Lieferumfang	9
3.2. Optionales Zubehör	9
3.3. Produktfunktionen	9
3.4. Sauna-Betriebsarten	10
3.5. Fühler-Betriebsarten	11
<b>4. Montage</b>	<b>13</b>
4.1. Saunasteuerung montieren	13
4.2. Ofenfühler F1 mit Übertemperatur-Sicherung montieren	15
4.3. Bankfühler F2 montieren (optional)	16
4.4. Feuchte-Temperaturfühler FTS2 montieren (optional, nur PRO B3)	16
<b>5. Elektrischer Anschluss</b>	<b>17</b>
5.1. Versorgungsleitung, Ofen und Verdampfer anschließen	18
5.2. Licht anschließen	18
5.3. Lüfter anschließen (optional, nur PRO B3)	18
5.4. Leistungserweiterung anschließen (optional)	19
5.5. Ofenfühler F1 anschließen	19
5.6. Bankfühler F2 anschließen (optional)	19
5.7. Feuchte-Temperaturfühler FTS2 anschließen (optional, nur PRO B3)	19
5.8. Sicherheitsabschaltung / Türsensor anschließen	20
5.9. Fernstart	20
5.10. Installation abschließen	20

<b>6. Prüfungen durchführen</b>	<b>21</b>
<b>7. Anschlussplan</b>	<b>22</b>
<b>8. Inbetriebnahme</b>	<b>24</b>
8.1. Einstellung der Funktionswahlschalter	24
8.2. Heizzeitbegrenzung einstellen	24
8.3. Phasenrollierung aktivieren/deaktivieren	25
8.4. Fernstart-Freigabe	25
8.5. Ein-Fühlerbetrieb aktivieren/deaktivieren	25
8.6. Verdampfer-Single-Betrieb aktivieren (nur PRO B3)	25
8.7. Ofentemperatur im Ein-Fühlerbetrieb anzeigen	26
8.8. Einstellungen im Technikermenü	26
<b>9. Bedienung</b>	<b>27</b>
9.1. Bedienelemente PRO B2	27
9.2. Bedienelemente PRO B3	28
9.3. Licht einschalten	28
9.4. Saunasteuerung einschalten	29
9.5. Sauna-Betrieb starten	29
9.6. Kombi-Betrieb starten (nur PRO B3)	30
9.7. Standby für Fernwirken aktivieren	31
9.8. Vorwahlzeit einstellen	32
9.9. Vorwahlzeitfunktion abrechnen	33
9.10. Nachtrockenprogramm abrechnen (nur PRO B3)	33
9.11. Saunabetrieb ausschalten	33
9.12. Saunasteuerung ausschalten	33

<b>10.Reinigung und Wartung</b>	<b>34</b>
10.1. Reinigung.....	34
10.2. Wartung.....	34
<b>11.Entsorgung</b>	<b>34</b>
<b>12.Problemlösung</b>	<b>35</b>
12.1. Fehlermeldungen.....	35
12.2. Wassermangelanzeige (nur PRO B3).....	36
12.3. Sicherungen.....	36
<b>13.Technische Daten</b>	<b>37</b>

# 1. Zu dieser Anleitung

Lesen Sie diese Montage- und Gebrauchsanweisung gut durch und bewahren Sie sie in der Nähe der Saunasteuerung auf. So können Sie jederzeit Informationen zu Ihrer Sicherheit und zur Bedienung nachlesen.



Sie finden diese Montage- und Gebrauchsanweisung auch im Downloadbereich unserer Webseite auf [www.sentiotec.com/downloads](http://www.sentiotec.com/downloads).

## **Symbole in Warnhinweisen**

In dieser Montage- und Gebrauchsanweisung ist vor Tätigkeiten, von denen eine Gefahr ausgeht, ein Warnhinweis angebracht. Befolgen Sie diese Warnhinweise unbedingt. So vermeiden Sie Sachschäden und Verletzungen, die im schlimmsten Fall sogar tödlich sein können.

In den Warnhinweisen werden Signalwörter verwendet, die folgende Bedeutungen haben:



### **GEFAHR!**

Wenn Sie diesen Warnhinweis nicht beachten, sind Tod oder schwere Verletzungen die Folge.



### **WARNUNG!**

Wenn Sie diesen Warnhinweis nicht beachten, können Tod oder schwere Verletzungen die Folge sein.



### **VORSICHT!**

Wenn Sie diesen Warnhinweis nicht befolgen, können leichte Verletzungen die Folge sein.

## **ACHTUNG!**

Dieses Signalwort warnt Sie vor Sachschäden.

## **Andere Symbole**



Dieses Symbol kennzeichnet Tipps und nützliche Hinweise.

## 2. Wichtige Hinweise zu Ihrer Sicherheit

Die Saunasteuerung PRO B2 / PRO B3 ist nach anerkannten sicherheitstechnischen Regeln gebaut. Dennoch können bei der Verwendung Gefahren entstehen. Befolgen Sie deshalb die folgenden Sicherheitshinweise und die speziellen Warnhinweise in den einzelnen Kapiteln. Beachten Sie auch die Sicherheitshinweise der angeschlossenen Geräte.

### 2.1. Bestimmungsgemäßer Gebrauch

Die Saunasteuerung PRO B2 / PRO B3 dient ausschließlich zum Steuern und Regeln der Funktionen gemäß den technischen Daten.

Die Saunasteuerung PRO B2 / PRO B3 darf nur zum Steuern und Regeln eines Saunaofens, der die Abdeckprüfung nach Absatz 19.101 der EN 60335-2-53 besteht, verwendet werden. Erfüllt der Ofen diese Voraussetzung nicht, muss eine entsprechende Sicherheitsvorkehrung getroffen werden (z. Bsp.: Sicherheitsabschaltung / Türsensor anschließen, siehe **5.8 auf Seite 20**).

Die Saunasteuerung PRO B2 / PRO B3 darf nur zum Steuern und Regeln von 3 Heizkreisen mit maximal 3,5 kW Heizleistung pro Heizkreis eingesetzt werden. Die maximale Verdampferleistung (nur bei PRO B3) beträgt 3,5 kW.

Jeder darüber hinausgehende Gebrauch gilt als nicht bestimmungsgemäß. Nicht bestimmungsgemäßer Gebrauch kann zur Beschädigung des Produkts, zu schweren Verletzungen oder Tod führen.



## 2.2. Sicherheitshinweise für den Monteur

- Die Montage darf nur durch eine Elektrofachkraft oder eine vergleichsweise qualifizierte Person ausgeführt werden.
- Arbeiten an der Saunasteuerung dürfen nur im spannungsfreien Zustand durchgeführt werden.
- Es ist bauseits eine allpolige Trennvorrichtung mit voller Abschaltung entsprechend der Überspannungskategorie III vorzusehen.
- Die Saunasteuerung ist außerhalb der Saunakabine in ca. 1,70 m Höhe oder gemäß den Empfehlungen des Kabinenherstellers zu montieren. Die Umgebungstemperatur muss im Bereich von  $-10\text{ °C}$  und  $40\text{ °C}$  liegen.
- Der Ofenfühler ist so anzubringen, dass er nicht durch einströmende Luft beeinflusst wird.
- Die Ofen-Zuleitung muss einen Querschnitt von mindestens  $2,5\text{ mm}^2$  aufweisen und bis  $150\text{ °C}$  temperaturbeständig sein.
- Beachten Sie auch die örtlichen Bestimmungen am Aufstellort.
- Bei Problemen, die in den Montageanweisungen nicht ausführlich genug behandelt werden, wenden Sie sich zu Ihrer eigenen Sicherheit an Ihren Lieferanten.

### 2.3. Sicherheitshinweise für den Anwender

- Die Saunasteuerung darf nicht von Kindern unter 8 Jahren verwendet werden.
- Die Saunasteuerung darf von Kindern über 8 Jahren, von Personen mit verringerten psychischen, sensorischen oder mentalen Fähigkeiten und von Personen mit Mangel an Erfahrung und Wissen unter folgenden Bedingungen verwendet werden:
  - wenn sie beaufsichtigt werden
  - wenn ihnen die sichere Verwendung gezeigt wurde und sie die Gefahren, die entstehen können, verstehen.
- Kinder dürfen nicht mit der Saunasteuerung spielen.
- Kinder unter 14 Jahren dürfen die Saunasteuerung nur reinigen, wenn sie beaufsichtigt werden.
- Wenn Sie unter dem Einfluss von Alkohol, Medikamenten oder Drogen stehen, verzichten Sie aus gesundheitlichen Gründen auf das Saunabad.
- Stellen Sie sicher, dass keine brennbaren Gegenstände auf dem Saunaofen liegen, bevor Sie die Saunasteuerung einschalten.
- Stellen Sie sicher, dass keine brennbaren Gegenstände auf dem Saunaofen liegen, bevor Sie die Vorwahlzeitfunktion oder den Standby-Modus für den Fernstart aktivieren.
- Bei Problemen, die in der Gebrauchsanweisung nicht ausführlich genug behandelt werden, wenden Sie sich zu Ihrer eigenen Sicherheit an Ihren Lieferanten.

## 3. Produktbeschreibung

### 3.1. Lieferumfang

- Saunasteuerung (je nach Ausführung PRO B2 / PRO B3)
- Ofenfühler mit integrierter Übertemperatur-Sicherung
- Montagematerial

### 3.2. Optionales Zubehör

- Bankfühler (1-009-231 / O-F2)
- Feuchte-Temperaturfühler (1-010-081 / O-FTS2)
- Folienfühler (1-014-445 / P-ISX-FF)
- Leistungserweiterung (1-008-779 / O-S2-18, 1-009-280 / O-S2-30)
- Abschaltwippe (SFE-xxxxx)
- Türsensor Home (1-052-723 / SAB00103)
- MySentio Wifi (1-053-313 / S-WIFI01)
- MySentio Remote (1-053-314 / S-WIFI02)

### 3.3. Produktfunktionen

#### **PRO B2**

Die Saunasteuerung PRO B2 verfügt über folgende Funktionen:

- Regeln von Saunaöfen mit einer Heizleistung bis 10,5 kW im Temperaturbereich von 30 °C bis 110 °C.
- Mit einer Leistungserweiterung kann die maximale Schaltleistung von 10,5 kW auf 18 kW oder 30 kW erhöht werden.
- Schalten eines Kabinenlichtes (bis 100 W)
- Fernstartfunktion
- Türüberwachung
- Vorwahlzeitfunktion (bis 24 Stunden)
- Automatische Heizzeitbegrenzung

Die Saunasteuerung schaltet sich nach Ablauf der maximalen Heizzeit aus Sicherheitsgründen automatisch ab. Die maximale Heizzeit kann auf 6 h, 12 h, 18 h oder 24 h eingestellt werden.

- **Übertemperatur-Sicherung**  
Die Übertemperatur-Sicherung befindet sich im Fühlergehäuse des Ofenfühlers. Wenn der Saunaofen durch einen Defekt nach Erreichen der Wunschtemperatur weiterheizt, schaltet die Übertemperatur-Sicherung bei ca. 139 °C den Saunaofen automatisch ab.

### **PRO B3**

Funktionsumfang wie PRO B2, jedoch zusätzlich:

- Regeln von Kombi-Saunaöfen mit einer Heizleistung bis 10,5 kW und einer Verdampferleistung bis 3,5 kW im Temperaturbereich von 30 °C bis 110 °C und einem Feuchtebereich von 5 bis 100 %.
- **Nachtrockenprogramm**  
Nach dem Kombi-Betrieb wird automatisch das Nachtrockenprogramm gestartet, um Schimmel- und Fäulnisbildung in der Saunakabine zu verhindern. Dabei wird die Saunakabine bei eingeschaltetem Lüfter auf 80 °C aufgeheizt. Die Dauer kann von OFF - 60 Minuten gewählt werden.

## **3.4. Sauna-Betriebsarten**

Die Saunasteuerung PRO B2 ermöglicht den Saunabetrieb. Die Saunasteuerung PRO B3 ermöglicht zwei Betriebsarten, Sauna- und Kombi-Betrieb.

### **Sauna-Betrieb**

Im Sauna-Betrieb steht trockene Wärme zur Verfügung. Die Temperatur in der Kabine ist hoch (80 bis 100 °C). Die Feuchtwerte sind mit maximal 10 % gering.

### **Kombi-Betrieb (nur PRO B3)**

Im Kombi-Betrieb ist neben dem Saunaofen auch der Verdampfer im Betrieb. Die Temperatur in der Saunakabine ist niedriger (ca. 40 bis 65 °C) als im Sauna-Betrieb, dafür ist die relative Luftfeuchte mit 35 % bis ungefähr 70 % wesentlich höher. Dabei ist die maximal einstellbare Soll-Feuchte von der Saunatemperatur abhängig. Je höher die Saunatemperatur, desto niedriger ist der maximal einstellbare Feuchtwert (siehe Kennlinie auf Seite 11)

### 3.5. Fühler-Betriebsarten

Die Saunasteuerung kann mit einem oder mit zwei Fühlern betrieben werden. Als zweiter Fühler kann ein Temperaturfühler (Bankfühler, F2) oder ein Feuchte-Temperaturfühler (FTS2, nur bei PRO B3) verwendet werden.

#### ***Ein-Fühlerbetrieb (F1)***

Der Ein-Fühlerbetrieb muss mittels Funktionswahlschalter aktiviert werden (siehe **8.5. Ein-Fühlerbetrieb aktivieren/deaktivieren auf Seite 25**).

Im Ein-Fühlerbetrieb wird die Saunasteuerung nur mit dem Ofenfühler mit Über-temperatur-Sicherung (F1) betrieben. Dieser ist im Lieferumfang enthalten.

Im Ein-Fühlerbetrieb zeigt die Saunasteuerung standardmäßig nur die Soll-Temperatur an. Die Ist-Temperatur wird nicht angezeigt. Wenn die Saunasteuerung im Ein-Fühlerbetrieb die Temperatur über dem Ofen (F1-Fühler) als Ist-Temperatur anzeigen soll, muss dies bei der Inbetriebnahme aktiviert werden (siehe **8.7. Ofentemperatur im Ein-Fühlerbetrieb anzeigen auf Seite 26**).

**nur PRO B3:** Der maximal einstellbare Feuchtwert richtet sich nach der Temperatur über dem Ofen und die Feuchte wird getaktet. Im Display der Saunasteuerung wird nur der Sollwert für die Feuchte (in % relative Luftfeuchtigkeit) angezeigt. Die tatsächliche Feuchte in der Saunakabine ist bei getakteter Feuchte abhängig von der Kabinengröße und der Verdampferleistung und kann vom eingestellten Sollwert abweichen.

#### ***Zwei-Fühlerbetrieb mit Bankfühler (F2)***

Der Zwei-Fühlerbetrieb ist ab Werk aktiviert.

Im Zwei-Fühlerbetrieb mit Bankfühler wird ein zweiter Temperaturfühler (Bankfühler) oberhalb der hinteren Saunabank montiert. Die Saunasteuerung zeigt als Ist-Temperatur jene Temperatur an, die vom Bankfühler gemessen wird.

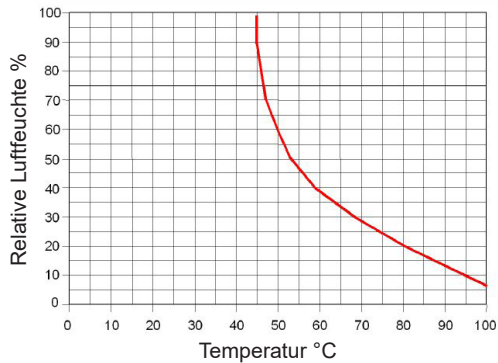
**nur PRO B3:** Im Zwei-Fühlerbetrieb mit Bankfühler wird die Feuchte getaktet. Im Display der Saunasteuerung wird nur der Sollwert für die Feuchte (in % relative Luftfeuchtigkeit) angezeigt. Die tatsächliche Feuchte in der Saunakabine ist bei getakteter Feuchte abhängig von der Kabinengröße und der Verdampferleistung und kann vom eingestellten Sollwert abweichen.

**nur PRO B3:****Zwei-Fühlerbetrieb mit Feuchte-Temperaturfühler (FTS2)**

Der Zwei-Fühlerbetrieb ist ab Werk aktiviert.

Wenn im Zwei-Fühlerbetrieb ein Feuchte-Temperaturfühler verwendet wird, zeigt die Saunasteuerung als Ist-Temperatur jene Temperatur an, die vom Feuchte-Temperaturfühler gemessen wird.

Im Zwei-Fühlerbetrieb mit Feuchte-Temperaturfühler wird der Verdampfer entsprechend der in der Kabine gemessenen Feuchte geregelt. Im Display der Saunasteuerung wird die tatsächliche Feuchte in der Saunakabine (in % relative Luftfeuchtigkeit) angezeigt.



EN 60335-2-53:2011; Kennlinie Temperatur / relative Luftfeuchte für den sachgemäßen Gebrauch.

## 4. Montage

### 4.1. Saunasteuerung montieren

---

**ACHTUNG!****Schäden am Gerät**

Die Saunasteuerung ist spritzwassergeschützt, trotzdem kann direkter Kontakt mit Wasser das Gerät beschädigen.

- Montieren Sie die Saunasteuerung an einem trockenen Ort, an dem eine maximale Luftfeuchte von 95% nicht überschritten wird.
- 

**ACHTUNG!****Störquellen beeinträchtigen die Signalübertragung**

- Verlegen Sie alle Fühlerleitungen getrennt zu anderen Netzleitungen und Steuerleitungen.
  - Schützen Sie einfach isolierte Leitungen durch ein Rohr (Doppelisolation).
- 

Beachten Sie bei der Montage der Saunasteuerung folgende Punkte:

- Die Saunasteuerung ist außerhalb der Saunakabine oder gemäß den Empfehlungen des Kabinenherstellers zu montieren.
- Die Umgebungstemperatur muss im Bereich von -10 °C und +40 °C liegen.
- Alle Fühler dürfen nur mit den beiliegenden Fühlerleitungen, die bis 150 °C temperaturbeständig sind, angeschlossen werden.

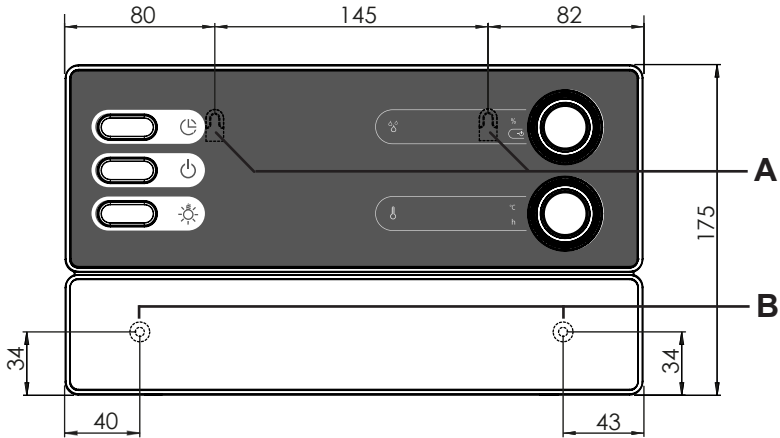


Die Fühlerleitungen dürfen unter folgenden Bedingungen verlängert werden:

- Verwendung einer bis 150 °C beständigen Silikonleitung.
  - Der Mindestquerschnitt der Leitung beträgt 0,5 mm<sup>2</sup>.
  - Die Länge der Ofenfühler-Leitungen darf 10 m NICHT überschreiten.
-

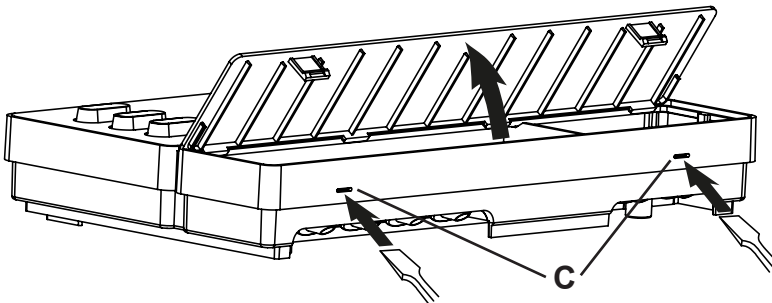
Zur Montage der Saunasteuerung führen Sie folgende Schritte durch:

1. Drehen Sie zwei Kreuzschlitzschrauben (16 mm) in ca. 1,70 m Höhe bis zu einem Abstand von 7 mm in die Saunawand ein. Die beiden Schrauben müssen einen Abstand von 145 mm zueinander haben (siehe **Abb.1**).



**Abb.1** Position der Aufhängevorrichtung und der Montageöffnungen (Maße in mm)

2. Drücken Sie die Schnappverschlüsse **C** mit einem Schraubendreher leicht ein und nehmen Sie den Gehäusedeckel ab (siehe **Abb.2**).
3. Hängen Sie die Saunasteuerung mit Hilfe der Aufhängevorrichtung **A** auf die montierten Kreuzschlitzschrauben (siehe **Abb.1**).
4. Drehen Sie zwei Kreuzschlitzschrauben (16 mm) in die unteren Befestigungsöffnungen **B** ein (siehe **Abb.1**).



**Abb.2** Abnahme des Gehäusedeckels



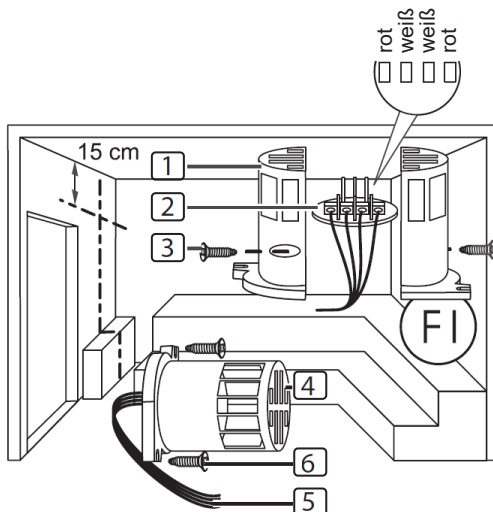
## 4.2. Ofenfühler F1 mit Übertemperatur-Sicherung montieren

Beachten Sie bei der Montage des Ofenfühlers folgende Punkte:

- Der Ofenfühler ist an der Ofen-Rückwand oberhalb der Mitte des Saunaofens zu montieren. Dabei ist ein Abstand von zirka 15 cm zur Kabinendecke einzuhalten.
- Der Ofenfühler ist so anzubringen, dass er nicht durch einströmende Luft beeinflusst wird.

Zur Montage des Ofenfühlers führen Sie folgende Schritte durch (siehe **Abb.3**):

1. Verlegen Sie die beiden 2-poligen Ofenfühler-Leitungen in der Wand der Saunakabine zum Montageort des Ofenfühlers und fixieren Sie die Ofenfühler-Leitungen mit Leitungsschellen.
2. Ziehen Sie die beiden Halbschalen **1** des Ofenfühlers auseinander.
3. Klemmen Sie die vier Anschlüsse der Ofenfühler-Leitung **5** gemäß der **Abb.3** an.
4. Legen Sie die Anschlussplatte **2** quer (wie in **Abb.3** gezeigt) in die Halbschalen des Ofenfühlers.
5. Schließen Sie die Halbschalen, verschrauben Sie diese mit den beiden Kreuzschlitzschrauben **3** (9 mm) und prüfen Sie, ob der Ofenfühler fest geschlossen ist.
6. Montieren Sie den Ofenfühler an der Ofen-Rückwand mit den beiden beiliegenden Holzschrauben **6** (16 mm).



- 1** Halbschalen des Ofenfühlers
- 2** Anschlussplatte
- 3** Kreuzschlitzschrauben (9 mm)
- 4** Ofenfühler
- 5** Ofenfühler-Leitungen
- 6** Holzschrauben (16 mm)

**Abb.3 Montage des Ofenfühlers**

### 4.3. Bankfühler F2 montieren (optional)

Der Bankfühler ist an der Kabinenwand oberhalb der hinteren Sitzbank zu montieren. Dabei ist ein Abstand von zirka 15 cm zur Kabinendecke einzuhalten.

Zur Montage des Bankfühlers führen Sie folgende Schritte durch:

1. Verlegen Sie die 2-polige Bankfühler-Leitung in der Wand der Saunakabine zum Montageort des Bankfühlers und fixieren Sie die Bankfühler-Leitungen mit Leitungsschellen.
2. Ziehen Sie die beiden Halbschalen des Bankfühlers auseinander.
3. Klemmen Sie die beiden Anschlüsse der Bankfühler-Leitung an die beiden mittleren Klemmen der Anschlussplatte an.
4. Legen Sie die Anschlussplatte quer in die Halbschalen des Bankfühlers.
5. Schließen Sie die Halbschalen und verschrauben Sie diese mit den beiden Kreuzschlitzschrauben (9 mm).
6. Prüfen Sie, ob der Bankfühler fest geschlossen ist.
7. Montieren Sie den Bankfühler an der Kabinenwand mit den beiden beiliegenden Holzschrauben (16 mm). Halten Sie dabei einen Abstand von 15 cm zur Kabinendecke ein.

### 4.4. Feuchte-Temperaturfühler FTS2 montieren (optional, nur PRO B3)

Der Feuchte-Temperaturfühler ist an der Kabinenwand oberhalb der hinteren Sitzbank zu montieren. Dabei ist ein Abstand von zirka 15 cm zur Kabinendecke einzuhalten.

Zur Montage des Feuchte-Temperaturfühlers führen Sie folgende Schritte durch:

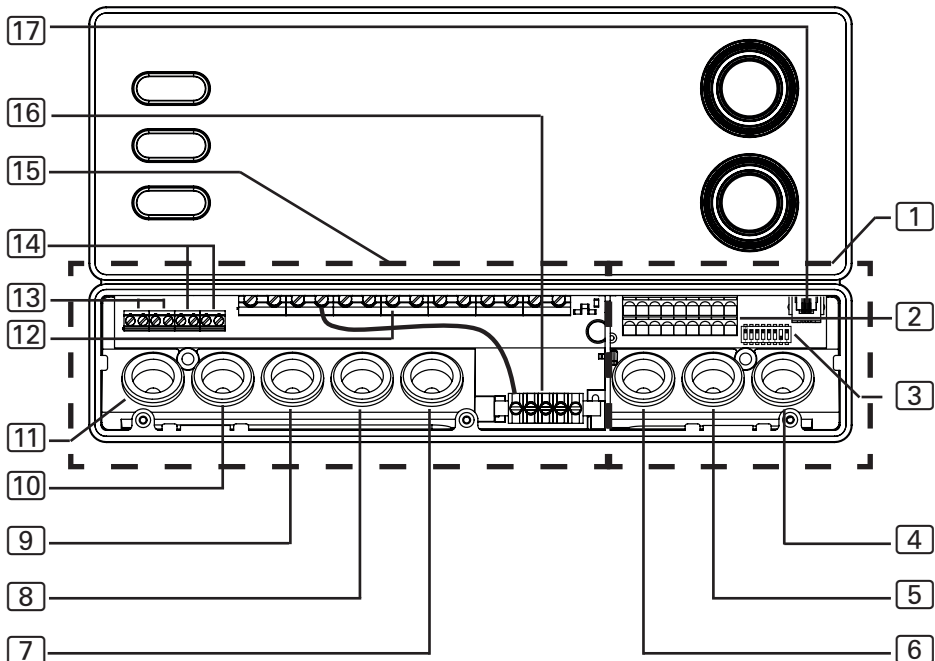
1. Verlegen Sie die 5-polige Fühlerleitung in der Wand der Saunakabine zum Montageort des Feuchte-Temperaturfühlers und fixieren Sie die Fühler-Leitungen mit Leitungsschellen.
2. Montieren Sie den Feuchte-Temperaturfühler an der Kabinenwand mit den beiden beiliegenden Holzschrauben (16 mm). Halten Sie dabei einen Abstand von 15 cm zur Kabinendecke ein.

## 5. Elektrischer Anschluss

### ACHTUNG!

#### Schäden am Gerät

- Die Saunasteuerung darf nur zum Steuern und Regeln von 3 Heizkreisen mit einer Heizleistung von max. 3,5 kW pro Heizkreis eingesetzt werden. Die maximale Verdampferleistung (nur PRO B3) beträgt 3,5 kW.



- |   |   |
|---|---|
| 1 Anschlussbereich für Kleinspannung                                    | 9 Kabeldurchführung für Versorgungsleitung                      |
| 2 Klemmleiste für Sicherheitsabschaltung, Fernstart und Fühlerleitungen | 10 Kabeldurchführung für Leistungserweiterung                   |
| 3 Funktionswahlschalter   | 11 Kabeldurchführung für Licht und Lüfter                       |
| 4 Kabeldurchführung für F2- und FTS2-Fühler                             | 12 Klemmleiste für Ofen- und Verdampfer- und Versorgungsleitung |
| 5 Kabeldurchführung für F1-Fühler                                       | 13 Klemmleiste für Licht und Lüfter                             |
| 6 Kabeldurchführung für Sicherheitsabschaltung und Fernstart            | 14 Klemmleiste für Leistungserweiterung                         |
| 7 Kabeldurchführung für Verdampferleitung                               | 15 Anschlussbereich für 230 V / 400 V                           |
| 8 Kabeldurchführung für Ofenleitung                                     | 16 Erdungsschiene   |
|   | 17 RJ45-Buchse für RS485 und MySentio Wifi                      |

Beachten Sie beim elektrischen Anschluss der Saunasteuerung folgende Punkte:

- Die Montage darf nur durch eine Elektrofachkraft oder eine vergleichsweise qualifizierte Person ausgeführt werden.



Bitte beachten Sie, dass im Falle eines Garantieanspruches eine Kopie der Rechnung des ausführenden Elektrofachbetriebes vorzulegen ist.

- Arbeiten an der Saunasteuerung dürfen nur im spannungsfreien Zustand durchgeführt werden.
- Die elektrische Versorgung muss als Festanschluss erfolgen.
- Es ist bauseits eine allpolige Trennvorrichtung mit voller Abschaltung entsprechend der Überspannungskategorie III vorzusehen.
- Beachten Sie den Anschlussplan **Abb.4** auf Seite **22** oder **Abb.5** auf Seite **23**.

### 5.1. Versorgungsleitung, Ofen und Verdampfer anschließen

1. Führen Sie die Versorgungs-, die Ofen- und die Verdampferleitung (nur PRO B3) durch die Kabeldurchführungen **9**, **8**, **7** in den Anschlussbereich für 230 V / 400 V **15**.
2. Schließen Sie die Anschlussleitungen gemäß dem Anschlussplan an die Klemmleiste **12** an. Beachten Sie dabei die Bedienungsanleitung der jeweiligen Geräte.
3. Wenn der Verdampfer nicht über eine automatische Wassermangel-Abschaltung verfügt, führen Sie zusätzlich folgenden Schritt durch:
  - Verbinden Sie mit der beiliegenden Drahtbrücke die Klemme "**V1**" mit der Klemme "**Wm**".

### 5.2. Licht anschließen

1. Führen Sie die Lichtleitung durch die Kabeldurchführung **11** in den Anschlussbereich für 230 V / 400 V **15**.
2. Schließen Sie die Lichtleitung gemäß dem Anschlussplan an die Klemmleiste **13** an. Beachten Sie dabei die Bedienungsanleitung des jeweiligen Geräts.

### 5.3. Lüfter anschließen (optional, nur PRO B3)

1. Führen Sie die Lüfterleitung durch die Kabeldurchführung **11** in den Anschlussbereich für 230 V / 400 V **15**.
2. Schließen Sie die Lüfterleitung gemäß dem Anschlussplan an die Klemmleiste **13** an. Beachten Sie dabei die Bedienungsanleitung des jeweiligen Geräts.

#### 5.4. Leistungserweiterung anschließen (optional)

1. Führen Sie die Leitung der Leistungserweiterung durch die Kabeldurchführung **10** in den Anschlussbereich für 230 V / 400 V **15**.
2. Schließen Sie die Leitung der Leistungserweiterung gemäß dem Anschlussplan an die Klemmleiste **14** an. Verwenden Sie dabei die Klemme **"ST1"** für den Sicherheitskreis und die Klemme **"ST2"** für den Steuerkreis. Beachten Sie die Bedienungsanleitung des jeweiligen Geräts.

#### 5.5. Ofenfühler F1 anschließen

1. Führen Sie die Ofenfühler-Leitungen durch die Kabeldurchführung **5** in den Anschlussbereich für Kleinspannung **1**.
2. Schließen Sie die roten Ofenfühler-Leitungen an die Klemmen mit der Beschriftung **"STB"** in der Klemmleiste **2** an.
3. Schließen Sie die weißen Ofenfühler-Leitungen an die Klemmen mit der Beschriftung **"F1"** in der Klemmleiste **2** an.

#### 5.6. Bankfühler F2 anschließen (optional)

1. Führen Sie die Bankfühler-Leitungen durch die Kabeldurchführung **4** in den Anschlussbereich für Kleinspannung **1**.
2. Schließen Sie die Bankfühler-Leitungen an die Klemmen mit der Beschriftung **"F2"** in der Klemmleiste **2** an.

DE

#### 5.7. Feuchte-Temperaturfühler FTS2 anschließen (optional, nur PRO B3)

1. Führen Sie die Fühlerleitungen durch die Kabeldurchführung **4** in den Anschlussbereich für Kleinspannung **1**.
2. Schließen Sie die Temperaturfühler-Leitungen an die Klemmen mit der Beschriftung **"F2"** in der Klemmleiste **2** an.
  - a. die schwarze Leitung an die rechte Klemme an.
  - b. die braune Leitung an die linke Klemme an.
3. Schließen Sie die Feuchtefühler-Leitungen an die Klemmen mit der Beschriftung **"+ S -"** in der Klemmleiste **2** an.
  - c. die grüne Leitung an Klemme **"+"** an.
  - d. die orange Leitung an Klemme **"S"** an.
  - e. die rote Leitung an Klemme **"-"** an.

## 5.8. Sicherheitsabschaltung / Türsensor anschließen

Laut EN 60335-2-53 dürfen Saunasteuerungen mit Fernwirken nur zum Steuern und Regeln eines Saunaofens, der die Abdeckprüfung nach Absatz 19.101 besteht, verwendet werden. Alternativ kann eine entsprechende Sicherheitsabschaltung (z.B. Abschaltwippe) / Türsensor installiert werden. Diese schaltet den Saunaofen ab, wenn Gegenstände (z.B. ein Handtuch) auf dem Saunaofen abgelegt werden oder die Saunatür geöffnet wird.

Zur Montage der Sicherheitsabschaltung führen Sie folgende Schritte durch:

1. Montieren Sie die Sicherheitsabschaltung entsprechend der Bedienungsanleitung des Geräts.
2. Führen Sie die Leitungen der Sicherheitsabschaltung durch die Kabeldurchführung **[6]** in den Anschlussbereich für Kleinspannung **[1]**.
3. Schließen Sie die Leitungen an die Klemmen mit der Beschriftung **"OSG"** in der Klemmleiste **[2]** an.



Wird keine Sicherheitsabschaltung montiert, muss eine Drahtbrücke an den Klemmen mit der Beschriftung **„OSG“** montiert werden.

## 5.9. Fernstart

Der Anschluss erfolgt über die Klemmen **"S"**, **"B"** und **"C"**. **"S"** steht für den Sauna-Betrieb und **"C"** für den Verdampfer-Betrieb. **"B"** ist ein +24 V DC Ausgang. Dieser muss über einen Schalter oder einen Aktuator auf die Klemme für die gewünschte Betriebsart geschaltet werden.

## 5.10. Installation abschließen

1. Schließen Sie die Schutzleiter der Versorgungsleitung und aller Geräte an die Erdungsschiene **[16]** an.
2. Setzen Sie den Gehäusedeckel an den oberen Rand der Anschlussbox.
3. Drücken Sie die Schnappverschlüsse leicht nach innen und schwenken Sie die Gehäuseabdeckung nach unten bis sie hörbar einrastet.

## 6. Prüfungen durchführen

Die folgenden Prüfungen müssen von einem zugelassenen Elektroinstallateur durchgeführt werden.



### **WARNUNG!**

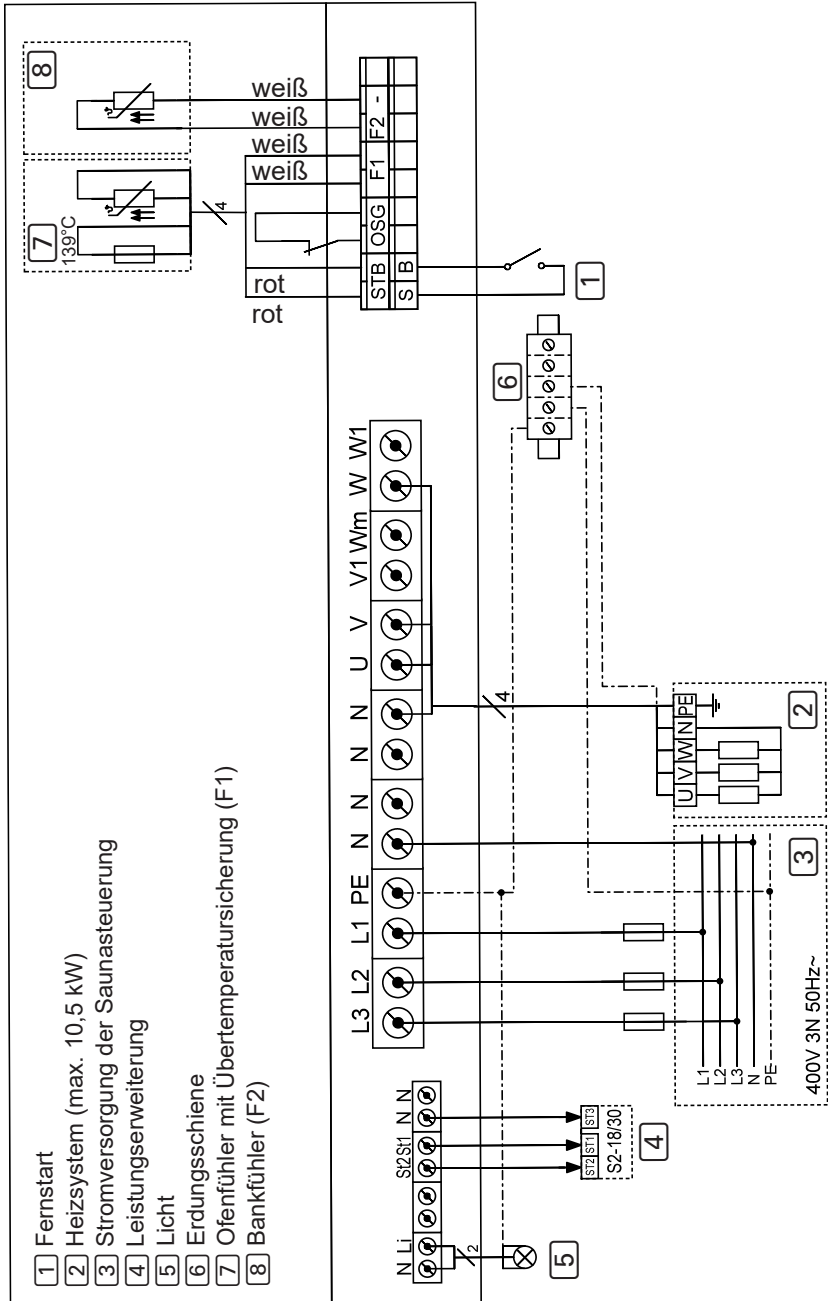
**Die folgenden Prüfungen werden bei eingeschalteter Stromversorgung durchgeführt. Es besteht die Gefahr eines Stromschlages.**

- Berühren Sie NIEMALS spannungsführende Teile.

1. Prüfen Sie den Kontakt der Erdungsleitungen an der Schutzleiterklemme.
2. Prüfen Sie die Übertemperatur-Sicherung des Ofenfühlers F1.
  - a. Schalten Sie die Saunasteuerung ein.
  - b. Öffnen Sie den Ofenfühler und klemmen Sie eine der beiden roten Ofenfühler-Leitungen ab.
    - ▶ Im oberen Display wird "Err" angezeigt, im unteren Display "02" und die Steuerung schaltet den Ofen ab.
  - c. Schalten Sie die Saunasteuerung aus.
  - d. Klemmen Sie die rote Ofenfühler-Leitung wieder an.
  - e. Klemmen Sie nun eine der weißen Ofenfühler-Leitungen ab.
    - ▶ Im oberen Display wird "Err" angezeigt, im unteren Display "04F1" und die Steuerung schaltet den Ofen ab.
  - g. Schalten Sie die Saunasteuerung aus.
  - h. Klemmen Sie die weiße Ofenfühler-Leitung wieder an.
3. Prüfen Sie die Phasendurchschaltung für den Sauna-Betrieb L1, L2, L3 zu U, V, W.
4. Überprüfen Sie die maximal zulässige Heizleistung an der Saunasteuerung von 3,5 kW je Phase.
5. Nur PRO B3: Prüfen Sie die Phasendurchschaltung für Verdampfer-Betrieb L1, L2, L3 zu U, V1, W.
6. Bei optionaler Leistungserweiterung
  - a. Prüfen Sie die Steuerleitungen ST1, ST2 und ST3.
  - b. Überprüfen Sie die maximal zulässige Heizleistung an der Leistungserweiterung S2-18 von 3 kW je Phase.
  - c. Überprüfen Sie die maximal zulässige Heizleistung an der Leistungserweiterung S2-30 von 7 kW je Phase.

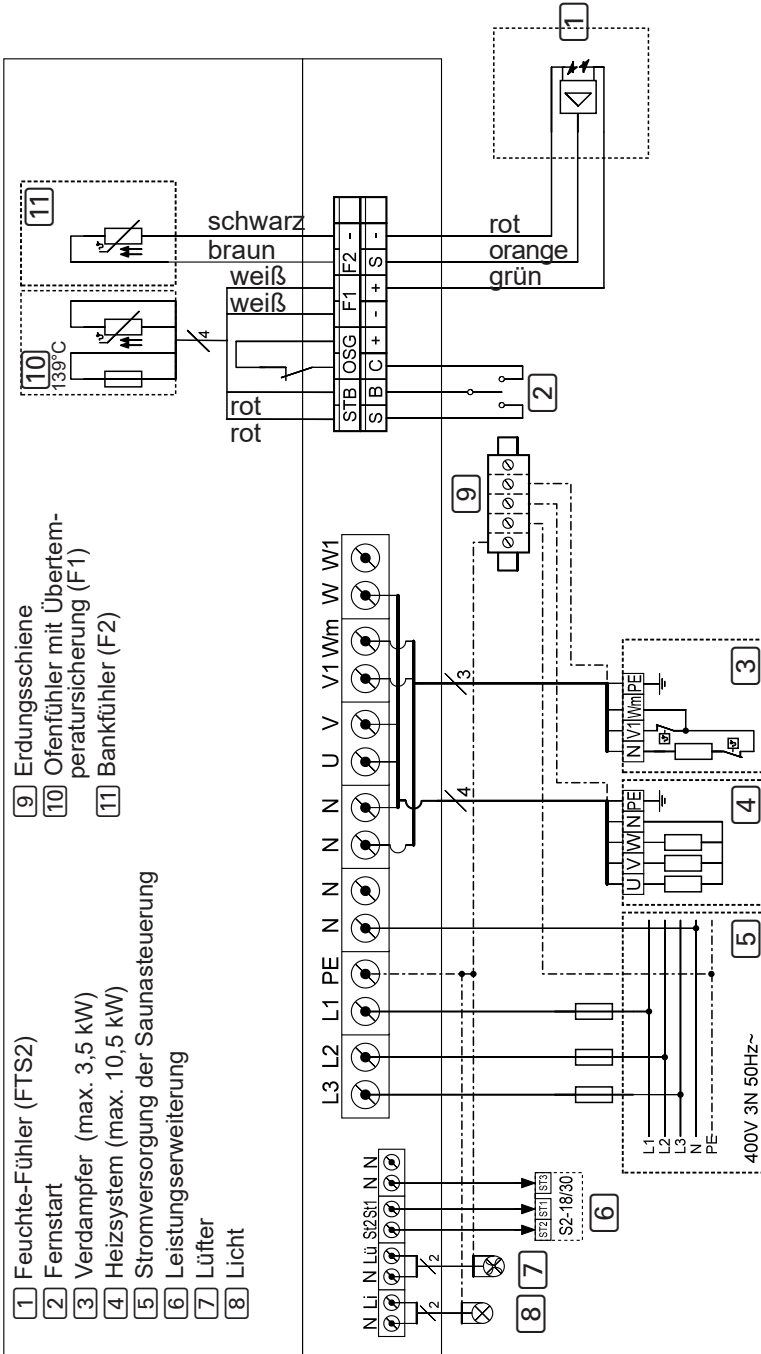
# 7. Anschlussplan

Abb.4 Anschlussplan PRO B2





**Abb.5 Anschlussplan PRO B3**



- 9 Erdungsschiene
- 10 Ofenfühler mit Übertemperatursicherung (F1)
- 11 Bankfühler (F2)

- 1 Feuchte-Fühler (F2S2)
- 2 Fernstart
- 3 Verdampfer (max. 3,5 kW)
- 4 Heizsystem (max. 10,5 kW)
- 5 Stromversorgung der Saunasteuerung
- 6 Leistungserweiterung
- 7 Lüfter
- 8 Licht

## 8. Inbetriebnahme

### 8.1. Einstellung der Funktionswahlschalter

Über die Funktionswahlschalter im Anschlussbereich für Kleinspannung können verschiedene Produktfunktionen aktiviert werden. Die Abbildung rechts zeigt die Standardeinstellung der Funktionswahlschalter.

Beachten Sie, dass nach Änderungen die Steuerung für 10 Sek. ausgeschaltet werden muss, um die Einstellungen zu speichern.

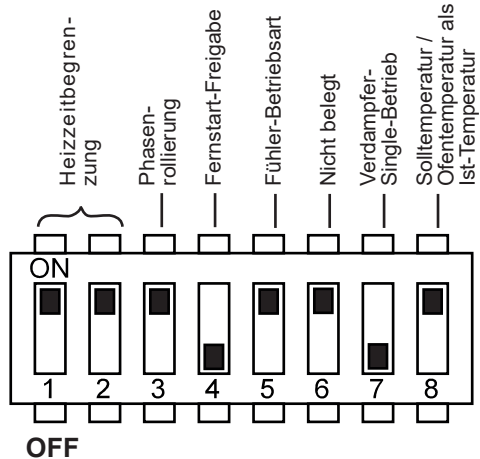


Abb.6 Funktionswahlschalter - Standardeinstellung

### 8.2. Heizzeitbegrenzung einstellen

Die maximale Heizzeit ist standardmäßig auf 6 h eingestellt. Die Saunasteuerung schaltet sich nach Ablauf der maximalen Heizzeit aus Sicherheitsgründen automatisch ab.

Über die Funktionswahlschalter im Anschlussbereich für Kleinspannung kann die maximale Heizdauer auf 12 h, 18 h oder 24 h eingestellt werden. Die dafür erforderlichen Positionen der Funktionswahlschalter finden Sie in der Tabelle rechts.

<i>Funktionswahlschalter</i>	1	2
6 h	ON	ON
12 h	OFF	ON
18 h	ON	OFF
24 h	OFF	OFF



Die EN 60335-2-53 schreibt für private Saunen eine maximale Heizzeitbegrenzung von 6 h vor. Für Saunen in Hotels, Wohnblöcken und ähnlichen Standorten ist eine Heizzeitbegrenzung von maximal 12 h zulässig. Die Erweiterung der Heizzeitbegrenzung auf 18 h oder 24 h ist nur in öffentlichen Saunen gestattet.

### 8.3. Phasenrollierung aktivieren/deaktivieren

Die Phasenrollierung wird mit dem Funktionswahlschalter **3** aktiviert bzw. deaktiviert.

- Standardmäßig befindet sich der Funktionswahlschalter **3** in ON-Position. Die Phasenrollierung ist damit aktiviert.
- Wenn Sie die Phasenrollierung deaktivieren möchten, bringen Sie den Funktionswahlschalter **3** in die OFF-Position.

### 8.4. Fernstart-Freigabe

Mit dem Funktionswahlschalter **4** kann die Funktion des Fernstart-Ausganges ausgewählt werden (beachten Sie EN60335-2-53).

- Standardmäßig befindet sich der Funktionswahlschalter **4** in OFF-Position. Der Fernstart wird mittels „Standby für Fernwirken“ aktiviert.
- Wenn Sie den Fernstart-Ausgang für div. Geräte (wie z.B. Münzer, Fernstart-System, Türüberwachung) freischalten möchten, bringen Sie den Funktionswahlschalter **4** in ON-Position.

### 8.5. Ein-Fühlerbetrieb aktivieren/deaktivieren

Im Ein-Fühlerbetrieb wird die Saunasteuerung nur mit dem Ofenfühler mit Über-temperatur-Sicherung (F1-Fühler) betrieben. Der Ein-Fühlerbetrieb muss über den Funktionswahlschalter **5** aktiviert werden.

- Standardmäßig befindet sich der Funktionswahlschalter **5** in ON-Position. Der Zwei-Fühlerbetrieb ist damit aktiviert.
- Wenn Sie den Ein-Fühlerbetrieb aktivieren möchten, bringen Sie den Funktionswahlschalter **5** in die OFF-Position.

### 8.6. Verdampfer-Single-Betrieb aktivieren (nur PRO B3)

Werkseitig lässt sich der Verdampfer nur gemeinsam mit dem Heizsystem in Betrieb nehmen. Um den Verdampfer alleine ohne Heizsystem betreiben zu können, muss der Verdampfer-Single-Betrieb über den Funktionswahlschalter **7** aktiviert werden.

- Standardmäßig befindet sich der Funktionswahlschalter **7** in OFF-Position. Der Verdampfer-Single-Betrieb ist damit deaktiviert.
- Wenn Sie den Verdampfer-Single-Betrieb aktivieren möchten, bringen Sie den Funktionswahlschalter **7** in die ON-Position.

## 8.7. Ofentemperatur im Ein-Fühlerbetrieb anzeigen

Im Ein-Fühlerbetrieb zeigt die Saunasteuerung standardmäßig nur die Soll-Temperatur an. Die Ist-Temperatur wird nicht angezeigt. Wenn die Saunasteuerung im Ein-Fühlerbetrieb die Temperatur über dem Ofen (F1-Fühler) als Ist-Temperatur anzeigen soll, muss dies mit dem Funktionswahlschalter **8** aktiviert werden.

- Standardmäßig befindet sich der Funktionswahlschalter **8** in ON-Position. Damit wird nur die Solltemperatur angezeigt.
- Wenn die Temperatur über dem Ofen als Ist-Temperatur angezeigt werden soll, bringen Sie den Funktionswahlschalter **8** in die OFF-Position.



Bitte beachten Sie, dass die Temperatur über dem Ofen immer höher ist, als die Temperatur im Bereich der Sitzbänke. Mit der Ofentemperatur als Ist-Temperatur, wird die Temperatur, die die Saunasteuerung anzeigt, höher sein als die Temperatur, die Ihr Kabinenthermometer misst.

## 8.8. Einstellungen im Technikermenü

### **Techniker-Menü aufrufen**

Im Techniker-Menü können weitere Einstellungen vorgenommen werden. Um ins Technikermenü zu gelangen, führen Sie folgende Schritte aus:

1. Die Saunasteuerung muss ausgeschaltet sein
2. Drücken Sie gleichzeitig den Ein/Aus-Schalter **[6]**, Vorwahlzeit-Taste **[7]** und den Temperatur-Wähler **[3]**.
  - ▶ in der oberen Anzeige **[1]** erscheint „SEtt“
3. Durch drücken des Temperatur-Wählers **[3]** gehen Sie zur gewünschten Einstellung

### **Laufzeit Nachtrockenprogramm einstellen (nur PRO B3)**

Die maximale Laufzeit des Nachtrockenprogrammes ist standardmäßig auf 60 Min. eingestellt. Wenn Sie diese Einstellung ändern wollen, führen Sie folgende Schritte durch:

1. Rufen Sie das Techniker-Menü auf
  - ▶ in der oberen Anzeige **[1]** erscheint „dry“
  - ▶ Im der unteren Anzeige **[4]** erscheint „t30“
2. Wählen Sie mit dem Temperatur-Wähler **[3]** den gewünschten Wert aus: (Auswahl 0 - 60; 0 = Nachtrockenprogramm ausgeschaltet; 60 = maximale Laufzeit in Minuten)

**Sicherheitsabschaltung / Türsensor aktivieren**

1. Rufen Sie das Techniker-Menü auf (siehe **26**)
  - ▶ in der oberen Anzeige **1** erscheint „SdO“
  - ▶ In der unteren Anzeige **4** erscheint „SAFE“ (=Standardeinstellung)
2. Wählen Sie mit dem Temperatur-Wähler **3** den gewünschten Wert aus:
  - „SAF“ bedeutet SAFE - die Sicherheitsabschaltung ist aktiviert (Standard)
  - „dor“ bedeutet DOOR- der Türsensor ist aktiviert

**Einstellungen speichern und Techniker-Menü beenden**

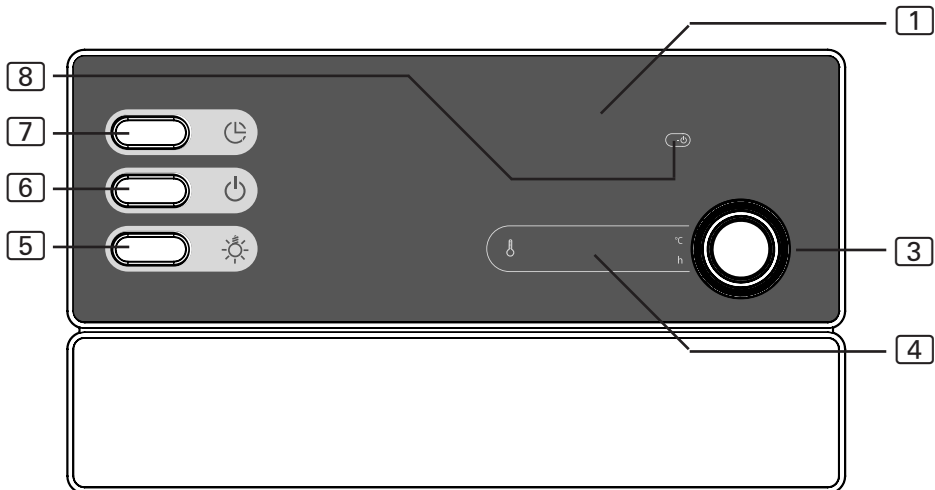
Drücken Sie den Temperatur-Wähler **3** für ca. 3 Sekunden.

**Softwarestand abfragen**

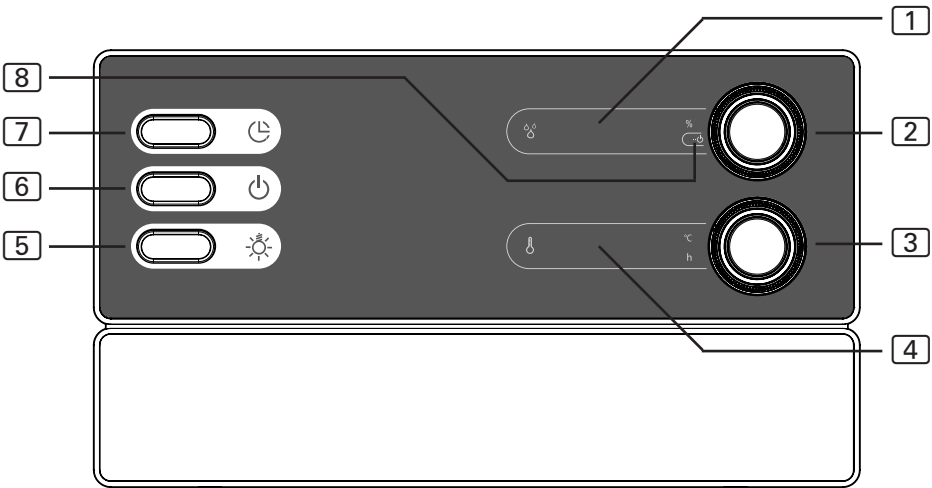
1. Drücken Sie den EIN/AUS-Schalter **6**, um die Saunasteuerung einzuschalten
2. Drücken Sie gleichzeitig für 5 Sekunden die Vorwahlzeit-Taste **7** und den Temperatur-Wähler **3**
  - ▶ in der oberen Anzeige **1** erscheint der Softwarestand „5.00.5“

## 9. Bedienung

### 9.1. Bedienelemente PRO B2

**1** Zusatz-Anzeige**2** -**3** Temperatur-Wähler**4** Temperatur-Anzeige**5** Lichtschalter**6** EIN/AUS-Schalter**7** Vorwahlzeit-Taster**8** Fernstart-Anzeige

## 9.2. Bedienelemente PRO B3



- 1** Feuchte-Anzeige
- 2** Feuchte-Wähler
- 3** Temperatur-Wähler
- 4** Temperatur-Anzeige

- 5** Lichtschalter
- 6** EIN/AUS-Schalter
- 7** Vorwahlzeit-Taster
- 8** Fernstart-Anzeige

## 9.3. Licht einschalten

Das Licht in der Saunakabine kann unabhängig vom EIN/AUS-Schalter **6** eingeschaltet und ausgeschaltet werden.

- Um das Licht einzuschalten bzw. auszuschalten, drücken Sie den Lichtschalter **5**.

## 9.4. Saunasteuerung einschalten



### **WARNUNG!** **Brandgefahr**

Brennbare Gegenstände, die auf dem heißen Saunaofen liegen, können sich entzünden und Brände verursachen.

- Legen Sie **NIE**MALS brennbare Gegenstände auf den Saunaofen.
- Stellen Sie sicher, dass **KEINE** brennbaren Gegenstände auf dem Saunaofen liegen, bevor Sie die Saunasteuerung einschalten.

- Drücken Sie den EIN/AUS-Schalter **[6]**, um die Saunasteuerung einzuschalten.
  - ▶ In der Temperatur-Anzeige **[4]** erscheint für einige Sekunden „0“. Anschließend wird die aktuelle Temperatur in der Kabine angezeigt. Im Ein-Fühlerbetrieb wird die zuletzt eingestellte Soll-Temperatur angezeigt.
  - ▶ Nur PRO B3: In der Feuchte-Anzeige **[1]** erscheint für einige Sekunden „0“. Anschließend wird die aktuelle Feuchte in der Kabine angezeigt. Wenn kein Feuchte-Temperaturfühler installiert ist, wird die zuletzt eingestellte Soll-Feuchte angezeigt.

## 9.5. Sauna-Betrieb starten

DE

1. Stellen Sie mit dem Temperatur-Wähler **[3]** die gewünschte Temperatur ein.
  - ▶ Der Temperatur-Wähler **[3]** blinkt und die eingestellte Soll-Temperatur wird in der Temperatur-Anzeige **[4]** angezeigt.
2. Drücken Sie auf den Temperatur-Wähler **[3]**.
  - ▶ Der Saunaofen wird eingeschaltet und beginnt zu heizen.
  - ▶ In der Temperatur-Anzeige **[4]** wird die aktuelle Temperatur in der Kabine angezeigt. Im Ein-Fühlerbetrieb wird die Soll-Temperatur angezeigt.



Sie können während des Betriebs jederzeit die eingestellte Soll-Temperatur ändern.

- Drehen Sie den Temperatur-Wähler **[3]** nach rechts, um die Temperatur zu erhöhen.
- Drehen Sie den Temperatur-Wähler **[3]** nach links, um die Temperatur zu senken.
- ▶ Der Temperatur-Wähler **[3]** blinkt und die neu eingestellte Temperatur wird übernommen.

## 9.6. Kombi-Betrieb starten (nur PRO B3)

1. Stellen Sie mit dem Temperatur-Wähler **3** die gewünschte Temperatur ein.
  - ▶ Der Temperatur-Wähler **3** blinkt und die eingestellte Soll-Temperatur wird in der Temperatur-Anzeige **4** angezeigt.
2. Drücken Sie auf den Temperatur-Wähler **3**.
  - ▶ Der Saunaofen wird eingeschaltet und beginnt zu heizen.
  - ▶ In der Temperatur-Anzeige **4** wird die aktuelle Temperatur in der Kabine angezeigt. Im Ein-Fühlerbetrieb wird die Soll-Temperatur angezeigt.
3. Stellen Sie mit dem Feuchte-Wähler **2** die gewünschte Feuchte ein.
  - ▶ Der Feuchte-Wähler **2** blinkt und die eingestellte Soll-Feuchte wird in der Feuchte-Anzeige **1** angezeigt.
4. Drücken Sie auf den Feuchte-Wähler **2**.
  - ▶ Der Verdampfer wird eingeschaltet.
  - ▶ In der Feuchte-Anzeige **1** wird die aktuelle Feuchte in der Kabine angezeigt. Wenn kein Feuchte-Temperaturfühler installiert ist, wird die Soll-Feuchte angezeigt.



---

Wird die Saunasteuerung ohne Feuchte-Temperaturfühler (FTS2) verwendet, ist der Taktbetrieb aktiviert. Befindet sich die Kabinentemperatur unter 30° C, wird der Verdampfer für 10 Minuten durchgehend eingeschaltet. Dies sorgt dafür, dass das Wasser im Tank eine Grund-Temperatur erreicht. Danach wird mit dem Taktbetrieb begonnen.

---



---

Der Verdampfer lässt sich nur starten, wenn der Saunaofen eingeschaltet ist. Dabei ist die maximal einstellbare Soll-Feuchte von der Saunatemperatur abhängig. Je höher die Saunatemperatur, desto niedriger ist der maximal einstellbare Feuchtwert - siehe **Kennlinie auf 12**.

---

**Ausnahme:** Der Verdampfer-Single-Betrieb ist aktiviert (siehe ). Hier lässt sich der Verdampfer auch ohne Saunaofen in Betrieb nehmen, wobei die maximale Feuchte von der aktuellen Kabinentemperatur abhängt.

---



## 9.7. Standby für Fernwirken aktivieren

Laut EN 60335-2-53 müssen Saunasteuerungen mit Fernstartfunktion manuell auf die Betriebsart „Standby für Fernwirken“ gestellt werden.



Diese Aktivierung muss nach jedem Fernstart- und Fernstopp-Vorgang neu erfolgen.

### **Bei aktivierter Sicherheitsabschaltung (Standard)**

Führen Sie dazu folgende Schritte durch:

1. Drücken Sie für drei Sekunden (Longpress) auf den Temperaturwähler **[3]**.
  - ▶ Die Fernstart-Anzeige **[8]** beginnt zu blinken.
  - ▶ Die Saunasteuerung ist nun bereit um über ein Fernstartsignal gestartet und gestoppt zu werden.
  - ▶ Nach erfolgtem Fernstart- und Fernstopp erlischt die Fernstart-Anzeige und die Aktivierung der Betriebsart muss erneut vorgenommen werden.

### **Bei aktiviertem Türsensor**

1. Drücken Sie für drei Sekunden (Longpress) auf den Temperaturwähler **[3]**.
  - ▶ Im unteren Display wird ein Countdown von 30 Sekunde angezeigt. Die Tür kann in dieser Zeit beliebig oft geöffnet / geschlossen werden. Nach Ablauf des Countdown muss die Türe geschlossen sein!
  - ▶ Die Fernstart-Anzeige **[8]** blinkt
  - ▶ Die Saunasteuerung ist nun bereit um über ein Fernstartsignal einmalig gestartet und gestoppt zu werden = Modus „Standby für Fernwirken“

*Tür wird geöffnet - im Display erscheint Warnung „door“*

- im Modus Standby für Fernwirken:  
Um den Modus fortzusetzen muss die Tür geschlossen werden, und die Warnung muss mittels Longpress auf den unteren Drehregler quittiert werden. ▶ Im Display wird wieder der Countdown (30Sek.) angezeigt.
- im laufenden Betrieb oder freigegebenen Fernstart-Ausgang (für Münzer oder Türsensor-System):  
Die Quittierung erfolgt automatisch, wenn die Tür geschlossen wird.

## 9.8. Vorwahlzeit einstellen



### **WARNUNG!** **Brandgefahr**

Brennbare Gegenstände, die auf dem heißen Saunaofen liegen, entzünden sich und verursachen Brände.

- Legen Sie NIEMALS brennbare Gegenstände auf den Saunaofen.
- Stellen Sie sicher, dass KEINE brennbaren Gegenstände auf dem Saunaofen liegen, bevor Sie die Vorwahlzeitfunktion aktivieren .

Sie können die Vorwahlzeit in 15-Minuten-Schritten einstellen. Die maximale Vorwahlzeit beträgt 24 Stunden. Die Vorwahlzeit wird in Stunden und Minuten angezeigt, z.B. werden 8 Stunden und 15 Minuten als 8.15 angezeigt.

1. Starten Sie den Sauna-Betrieb oder den Kombi-Betrieb (siehe Punkt **9.5** und **9.6**)
2. Drücken Sie den Vorwahlzeit-Taster **[7]**.
  - ▶ Der Temperatur-Wähler **[3]** blinkt und in der Temperatur-Anzeige **[4]** wird die zuletzt eingestellte Vorwahlzeit angezeigt.
3. Drücken Sie auf den Vorwahlzeit-Taster **[7]**, um die Vorwahlzeit in 15-Minuten-Schritten zu erhöhen.
4. Wenn Sie die gewünschte Vorwahlzeit erreicht haben, warten Sie einige Sekunden.
  - ▶ Die Saunasteuerung wechselt in den Standby-Modus und der Timer läuft.
  - ▶ In der Temperatur-Anzeige **[4]** wird die verbleibende Vorwahlzeit angezeigt und der Temperatur-Wähler **[3]** blinkt.
  - ▶ Nach Ablauf der Vorwahlzeit wird der gewählte Betrieb gestartet.



Die zuletzt eingestellte Vorwahlzeit wird gespeichert, somit kann mit nur einem Tastendruck der letzte Wert aufgerufen werden. Um die Vorwahlzeit auf 00:00 zurückzustellen, drücken Sie für drei Sekunden (Longpress) auf die Vorwahlzeit-Taste

## 9.9. Vorwahlzeitfunktion abbrechen

- Drücken Sie für drei Sekunden (Longpress) auf den Vorwahlzeit-Taster **[7]**, um die Vorwahlzeitfunktion abzubrechen.
  - ▶ Das Ablaufen der Vorwahlzeit wird abgebrochen.
  - ▶ In der Temperatur-Anzeige **[4]** wird die aktuelle Temperatur in der Kabine angezeigt. Im Ein-Fühlerbetrieb wird die Soll-Temperatur angezeigt.

## 9.10. Nachtrockenprogramm abbrechen (nur PRO B3)

Nach dem Kombi-Betrieb wird automatisch das Nachtrockenprogramm gestartet. Dabei wird die Saunakabine bei eingeschaltetem Lüfter auf 80 °C aufgeheizt. (Standard = 30 Minuten - je nach Einstellung im Technikermenü). In der Temperatur-Anzeige **[4]** wird der Text "dry" angezeigt.

- Drücken Sie für drei Sekunden (Longpress) auf den Temperatur-Wähler **[3]**, um das Nachtrockenprogramm abzubrechen.



Um Schimmel- und Fäulnisbildung zu vermeiden, sollte das Nachtrockenprogramm NICHT abgebrochen werden.

## 9.11. Saunabetrieb ausschalten

DE

- Drücken Sie auf den Temperatur-Wähler **[3]**.
  - ▶ Der Saunaofen wird ausgeschaltet. Bei PRO B3 wird nach dem Kombi-Betrieb (mind. 3 Minuten) automatisch das Nachtrockenprogramm gestartet.

## 9.12. Saunasteuerung ausschalten

- Drücken Sie den EIN/AUS-Schalter **[6]**, um die Saunasteuerung auszuschalten.
  - ▶ Die Feuchte-Anzeige **[1]** und die Temperatur-Anzeige **[4]** erlöschen.
  - ▶ Die Saunasteuerung ist ausgeschaltet.

## 10. Reinigung und Wartung

### 10.1. Reinigung

#### **ACHTUNG!**

#### **Schäden am Gerät**

Die Saunasteuerung ist spritzwassergeschützt, trotzdem kann direkter Kontakt mit Wasser das Gerät beschädigen.

- Tauchen Sie das Gerät NIEMALS in Wasser.
- Übergießen Sie das Gerät nicht mit Wasser.
- Reinigen Sie das Gerät nicht zu feucht.

1. Tränken Sie ein Reinigungstuch in milder Seifenlauge.
2. Drücken Sie das Reinigungstuch gut aus.
3. Wischen Sie das Gehäuse der Saunasteuerung vorsichtig ab.

### 10.2. Wartung

Die Saunasteuerung ist wartungsfrei.

## 11. Entsorgung



- Entsorgen Sie die Verpackungsmaterialien nach den gültigen Entsorgungsrichtlinien.
- Altgeräte enthalten wiederverwendbare Materialien, aber auch schädliche Stoffe. Geben Sie Ihr Altgerät deshalb auf keinen Fall in den Restmüll, sondern entsorgen Sie das Gerät nach den örtlich geltenden Vorschriften.

## 12. Problemlösung

### 12.1. Fehlermeldungen

Die Saunasteuerung ist mit einer Diagnosesoftware ausgestattet, die beim Einschalten und im Betrieb die Systemzustände überprüft. Sobald die Diagnosesoftware einen Fehler erkennt, schaltet die Saunasteuerung den Saunaofen ab.

Fehler werden durch einen wiederkehrenden Warnton und durch das Blinken des Feuchte-Wählers [2] und des Temperatur-Wählers [3] angezeigt. Zusätzlich wird in der Feuchte-Anzeige [1] der Text "Err" angezeigt. In der der Temperatur-Anzeige [4] wird die Fehlernummer angezeigt.

Schalten Sie die Saunasteuerung mit dem EIN/AUS-Schalter [6] aus und beheben Sie den Fehler bevor Sie die Saunasteuerung wieder einschalten.

Die folgende Tabelle beschreibt die möglichen Fehler und deren Ursache. Bei Bedarf teilen Sie die Fehlernummer Ihrem Kundendienst mit.

<i>Fehler</i>	<i>Beschreibung</i>	<i>Ursache / Behebung</i>
01	Sicherheitsabschaltung	Ein Gegenstand liegt auf dem Saunaofen. Entfernen Sie diesen bevor Sie den Saunaofen wieder in Betrieb nehmen.  Ist keine Sicherheitsabschaltung montiert, beachten Sie <b>5.8 auf Seite 20</b> .
02	Sicherheitstemperaturbegrenzer	Die maximale Temperatur von 139 °C über dem Ofen wurde überschritten.
04F1	Ofenfühler-Fehler	Defekter Ofenfühler, schlechter Kontakt oder Kurzschluss
06F2	Bankfühler-Fehler	Defekter Bankfühler, schlechter Kontakt oder Kurzschluss
07	Feuchtefühler-Fehler	Defekter Feuchtefühler, schlechter Kontakt oder Kurzschluss
door	Saunatür offen	Die Saunasteuerung ist mit einem Türsensor verbunden. Schließen Sie die Tür oder überprüfen Sie die Anschlüsse bzw. Einstellungen.

## 12.2. Wassermangelanzeige (nur PRO B3)

Die Saunasteuerung verfügt im Kombi-Betrieb über eine automatische Wassermangel-Abschaltung, sofern Ihr Kombi-Ofen dies unterstützt.

Ist der Wassertank des Verdampfers leer, wird dies durch einen wiederkehrenden Warnton und dem Text "FILL" in der Feuchte-Anzeige **1** signalisiert. Gleichzeitig schaltet sich der Verdampfer ab.

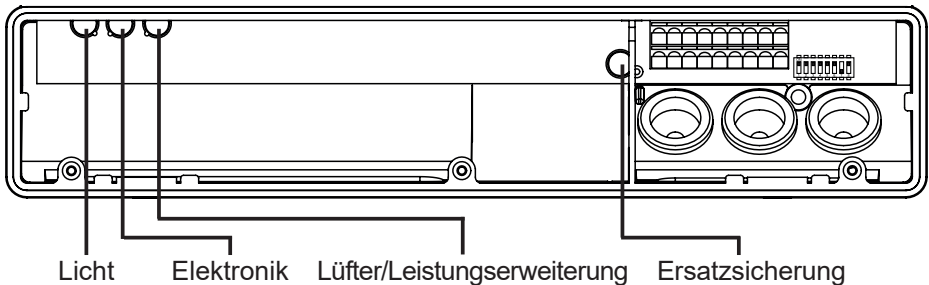
- Füllen Sie Wasser in den Wassertank des Verdampfers.
  - ▶ Nach kurzer Zeit erlischt der Text "FILL" und der Verdampfer beginnt wieder zu heizen.

## 12.3. Sicherungen

Im Anschlussbereich der Saunasteuerung befinden sich Sicherungen für Licht, Lüfter/Leistungserweiterung und Elektronik sowie eine Ersatzsicherung.

Hierbei handelt es sich um 1A träge Mikrosicherungen.

Diese können mit der Artikelnummer PRO-FUSE bestellt werden.



Zum Tauschen der Sicherung den Sicherungseinsatz gerade abziehen und die neue Sicherung einsetzen.

## 13. Technische Daten

### **Umgebungsbedingungen**

Lagertemperatur:	-25 °C bis +70 °C
Umgebungstemperatur:	-10 °C bis +40 °C
Luftfeuchtigkeit:	max. 95%

### **Saunasteuerung**

Abmessungen:	307 x 175 x 57 mm
Schaltspannung / dreiphasig 3N:	400 V AC
Frequenz:	50 Hz
Schaltleistung / Heizgerät :	3 x 3,5 kW
Schaltstrom pro Phase / Heizgerät:	16 A
Schaltleistung / Verdampfer (nur PRO B3):	3,5 kW
Schaltstrom / Verdampfer (nur PRO B3):	16 A
Nennspannung:	230 V
Schutzart (spritzwassergeschützt):	IPX4
Anschluss an das Versorgungsnetz als Festverdrahtung (Festanschluss)	

### **Licht**

Schaltleistung:	100 W
Sicherung:	1A T

### **Lüfter**

Schaltleistung:	100 W
Sicherung:	1A T

### **Einstellbereiche**

Temperatur:	30°C bis 110°C
Feuchte:	0 % bis 100 %

Dabei ist die maximal einstellbare Feuchte von der Saunatemperatur abhängig. Je höher die Saunatemperatur, desto niedriger ist der maximal einstellbare Feuchtwert.

---

**Thermische Sicherheit**

---

Ofenfühler mit Übertemperatur-Sicherung (139°C Abschalttemperatur)  
Automatische Heizzeitbegrenzung einstellbar (6 h, 12 h, 18 h, 24 h)  
Wahlweise Ein-Fühlerbetrieb oder Zwei-Fühlerbetrieb

---

**Anschlussleitungen**

---

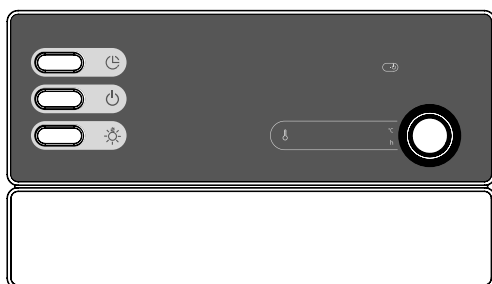
Versorgungsleitung:	min. 5 x 2,5 mm <sup>2</sup>
Ofenzuleitung (temperaturbeständig bis 150 °C):	min. 2,5 mm <sup>2</sup>
Fühlerleitungen (temperaturbeständig bis 150 °C):	min. 0,5 mm <sup>2</sup>
Lichtleitung:	min. 1,5 mm <sup>2</sup>
Lüfterleitung:	min. 1,5 mm <sup>2</sup>



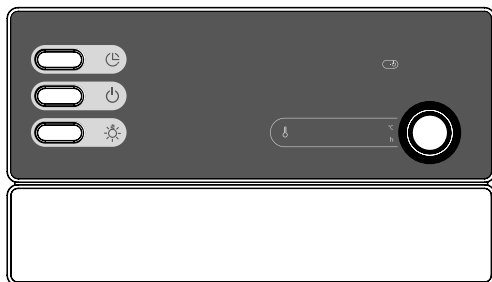
# Commande de sauna

## PRO B2 / PRO B3

INSTRUCTIONS DE MONTAGE ET MODE D'EMPLOI  
Français



**PRO-B2 / 1-015-455**



**PRO-B3 / 1-015-457**

FR

# Table des matières

<b>1. Concernant ces instructions</b>	<b>5</b>
<b>2. Remarques importantes pour votre sécurité</b>	<b>6</b>
2.1. Usage conforme	6
2.2. Consignes de sécurité pour le monteur	7
2.3. Consignes de sécurité pour l'utilisateur	8
<b>3. Description du produit</b>	<b>9</b>
3.1. Contenu de la livraison	9
3.2. Accessoires en option	9
3.3. Fonctions du produit	9
3.4. Modes de fonctionnement du sauna	10
3.5. Modes de fonctionnement des sondes	11
<b>4. Montage</b>	<b>13</b>
4.1. Montage de la commande de sauna	13
4.2. Montage de la sonde de poêle F1 avec dispositif de protection contre la surtempérature	15
4.3. Montage de la sonde de banc F2 (en option)	16
4.4. Montage de la sonde de température-humidité FTS2 (en option, seulement PRO B3)	16
<b>5. Branchements électriques</b>	<b>17</b>
5.1. Branchement du câble d'alimentation, du poêle et de l'évaporateur	18
5.2. Branchement de l'éclairage	18
5.3. Branchement du ventilateur (en option, seulement PRO B3)	18
5.4. Branchement du module d'extension de puissance (en option)	19
5.5. Branchement de la sonde de poêle F1	19
5.6. Branchement de la sonde de banc F2 (en option)	19
5.7. Raccordement de la sonde de température-humidité FTS2 (en option, seulement PRO B3)	19
5.8. Branchement du dispositif d'arrêt de sécurité/capteur de porte	20
5.9. Activation à distance	20
5.10. Fin de l'installation	20

<b>6. Exécution des contrôles</b>	<b>21</b>
<b>7. Schéma de raccordement</b>	<b>22</b>
<b>8. Mise en service</b>	<b>24</b>
8.1. Réglage du commutateur de sélection de fonctions.....	24
8.2. Réglage de la limitation de la durée de chauffage.....	24
8.3. Activation/désactivation de la disponibilité des phases.....	25
8.4. Activation du démarrage à distance.....	25
8.5. Activation/désactivation du fonctionnement à une sonde.....	25
8.6. Activation du mode évaporateur simple (seulement PRO B3).....	25
8.7. Affichage de la température du poêle en fonctionnement à une sonde.....	26
8.8. Paramètres de menu de configuration.....	26
<b>9. Utilisation</b>	<b>27</b>
9.1. Éléments de commande PRO B2.....	27
9.2. Éléments de commande PRO B3.....	28
9.3. Allumage de l'éclairage.....	28
9.4. Mise en marche de la commande de sauna.....	29
9.5. Activation du mode sauna.....	29
9.6. Démarrage du mode mixte (seulement PRO B3).....	30
9.7. Activation du mode de veille de l'actionnement à distance.....	31
9.8. Paramétrage du démarrage différé.....	32
9.9. Désactivation de la fonction de marche programmée.....	33
9.10. Arrêt du programme de séchage final (seulement PRO B3).....	33
9.11. Arrêt du mode sauna.....	33
9.12. Arrêt de la commande de sauna.....	33

<b>10. Nettoyage et entretien</b>	<b>34</b>
10.1. Nettoyage	34
10.2. Entretien	34
<b>11. Élimination</b>	<b>34</b>
<b>12. Dépannage</b>	<b>35</b>
12.1. Messages d'erreur	35
12.2. Affichage du manque d'eau (seulement PRO B3)	36
12.3. Fusibles	36
<b>13. Caractéristiques techniques</b>	<b>37</b>

# 1. Concernant ces instructions

Lisez attentivement les instructions de montage et le mode d'emploi présents et conservez-les à proximité de la commande de sauna. Vous pouvez ainsi consulter à tout moment des informations concernant son utilisation et relatives à votre sécurité.



Ces instructions de montage et ce mode d'emploi sont également disponibles dans la zone de téléchargement de notre site Internet [www.sentiotec.com/downloads](http://www.sentiotec.com/downloads).

## **Symboles d'avertissement**

Dans les instructions de montage et le mode d'emploi, un avertissement précède les activités représentant un danger. Conformez-vous impérativement à ces avertissements. Vous éviterez ainsi des dommages matériels et des blessures qui, dans le pire des cas, peuvent être mortelles.

Ces avertissements utilisent des termes clés qui ont la signification suivante :



### **DANGER !**

Si vous ne respectez pas cet avertissement, il y a un risque de blessures graves, voire mortelles.



### **AVERTISSEMENT !**

Si vous ne respectez pas cet avertissement, il y a un risque éventuel de blessures graves, voire mortelles.



### **PRUDENCE !**

Si vous ne respectez pas cet avertissement, il y a un risque éventuel de blessures légères.

## **ATTENTION !**

Ce terme clé vous avertit de dommages matériels éventuels.

## **Autres symboles**



Ce symbole désigne les conseils et indications utiles.

## 2. Remarques importantes pour votre sécurité

La commande de sauna PRO B2 / PRO B3 est conçue selon des règles techniques de sécurité reconnues. Cependant, des dangers peuvent survenir lors de l'utilisation. C'est pourquoi vous devez suivre les consignes de sécurité suivantes et les avertissements spécifiques des différents chapitres. Conformez-vous aux consignes de sécurité des appareils raccordés.

### 2.1. Usage conforme

La commande de sauna PRO B2 / PRO B3 sert exclusivement à la commande et au réglage des fonctions conformément aux données techniques.

La commande de sauna PRO B2 / PRO B3 peut uniquement être utilisée pour la commande et le réglage d'un poêle de sauna ayant satisfait au contrôle selon le paragraphe 19.101 de la norme EN 60335-2-53. Si le four ne répond pas à cette exigence, des précautions de sécurité appropriées doivent être prises (par exemple : Branchement du dispositif d'arrêt de sécurité/capteur de porte, voir **5.8 à la page 20**).

La commande de sauna PRO B2 / PRO B3 ne peut être utilisée que pour la commande et le réglage de 3 cycles de chauffage avec une puissance max. de 3,5 kW par cycle. La puissance maximale de l'évaporateur (seulement PRO B3) est de 3,5 kW.

Toute autre utilisation est considérée comme un usage non conforme. Un usage non conforme peut endommager le produit et provoquer de graves blessures, voire la mort.

## 2.2. Consignes de sécurité pour le monteur

- Seul un électricien spécialisé ou une personne ayant une qualification similaire est habilité à procéder au montage.
- Les travaux sur la commande de sauna doivent être effectués uniquement lorsque l'appareil n'est pas sous tension.
- Un dispositif de coupure totale du circuit sur tous les pôles (catégorie de surtension III) doit être prévu par le client.
- La commande de sauna doit être montée en dehors de la cabine de sauna à une hauteur d'environ 1,70 m ou conformément aux recommandations du fabricant de la cabine. La température ambiante doit être comprise entre -10 °C et +40 °C.
- La sonde de poêle doit être posée de sorte à ne pas être influencée par l'air entrant.
- La section du câble d'alimentation du poêle doit être d'au moins 2,5 mm<sup>2</sup> et pouvoir résister à une température de 150 °C.
- Respectez également les dispositions légales du lieu d'installation.
- En cas de problèmes insuffisamment traités dans les instructions de montage, adressez-vous à votre fournisseur pour votre propre sécurité.

### **2.3. Consignes de sécurité pour l'utilisateur**

- La commande de sauna ne doit pas être utilisée par les enfants de moins de 8 ans.
- La commande de sauna peut être utilisée par les enfants de plus de 8 ans, par des personnes ayant des capacités psychiques, sensorielles ou mentales limitées et par des personnes manquant d'expérience et de connaissances aux conditions suivantes :
  - lorsqu'ils sont surveillés ;
  - lorsque l'utilisation en toute sécurité leur a été montrée et qu'ils comprennent les dangers qui peuvent survenir.
- Les enfants ne doivent pas jouer avec la commande de sauna.
- Les enfants de moins de 14 ans ne peuvent nettoyer la commande de sauna que sous surveillance.
- Pour des raisons de santé, n'utilisez pas la cabine lorsque vous êtes sous l'influence de l'alcool, de médicaments ou de drogues.
- Assurez-vous qu'aucun objet inflammable ne se trouve sur le poêle de sauna avant de mettre en marche la commande.
- Assurez-vous qu'aucun objet inflammable ne se trouve sur le poêle avant d'activer la fonction de démarrage différé ou le mode veille pour l'activation à distance.
- Pour votre sécurité, adressez-vous à votre fournisseur si le mode d'emploi ne traite pas exhaustivement de certains problèmes.



## 3. Description du produit

### 3.1. Contenu de la livraison

- Commande de sauna (en fonction du modèle PRO B2 / PRO B3)
- Sonde de poêle avec dispositif de protection contre la surtempérature intégré
- Matériel de montage

### 3.2. Accessoires en option

- Sonde de banc (1-009-231/O-F2)
- Sonde de température-humidité (1-010-081/O-FTS2)
- Sonde de film (1-014-445/P-ISX-FF)
- Extension de puissance (1-008-779/O-S2-18, 1-009-280/O-S2-30)
- Bascule d'arrêt (SFE-xxxxx)
- Capteur de porte Home (1-052-723 / SAB00103)
- MySentio Wifi (1-053-313/S-WIFI01)
- MySentio Remote (1-053-314/S-WIFI02)

### 3.3. Fonctions du produit

#### **PRO B2**

La commande de sauna PRO B2 dispose des fonctions suivantes :

- Réglage des poêles avec une puissance de chauffage pouvant monter jusqu'à 10,5 kW pour une plage de température de 30 °C à 110 °C.
- Avec un module d'extension de puissance, la puissance de commutation maximale peut être augmentée de 10,5 kW à 18 kW ou 30 kW.
- Activation d'un éclairage de cabine (jusqu'à 100 W)
- Fonction de démarrage à distance
- Surveillance de porte
- Fonction de démarrage différé (jusqu'à 24 heures)
- Limitation automatique de la durée de chauffage  
La commande de sauna s'arrête automatiquement au bout du temps de chauffage maximal pour des raisons de sécurité. Le temps de chauffage maximal peut être réglé sur 6 h, 12 h, 18 h ou 24 h.

- Dispositif de protection contre la surtempérature  
Le dispositif de protection contre la surtempérature se trouve dans le boîtier de la sonde de poêle. Si, en raison d'un défaut, le poêle de sauna continue à chauffer une fois la température souhaitée atteinte, le dispositif de protection contre la surtempérature éteint le poêle automatiquement à environ 139 °C.

### **PRO B3**

Ensemble des fonctionnalités de PRO B2 avec, en outre :

- Réglage des poêles mixtes avec une puissance de chauffage de 10,5 kW et jusqu'à une puissance de l'évaporateur de 3,5 kW dans la plage de température de 30 °C à 110 °C et la plage d'humidité de 5 à 100 %.
- Programme de séchage final  
Après le mode mixte, le programme de séchage final est démarré automatiquement afin d'éviter la formation de moisissure et de pourriture dans la cabine de sauna. La cabine de sauna est alors chauffée à 80 °C avec le ventilateur activé.  
Sélection de la durée possible entre OFF et 60 minutes.

## **3.4. Modes de fonctionnement du sauna**

La commande de sauna PRO B2 permet le fonctionnement en mode sauna. La commande de sauna PRO B3 permet deux modes de fonctionnement : le mode sauna et le mode mixte.

### **Mode sauna**

En mode sauna, la chaleur disponible est très sèche. La température dans la cabine est élevée (de 80 à 100 °C). Les valeurs d'humidité sont faibles (max. 10 %).

### **Mode mixte (seulement PRO B3)**

En mode mixte, le poêle de sauna et l'évaporateur fonctionnent. La température dans la cabine du sauna est plus basse (environ de 40 à 65 °C) qu'en mode sauna mais l'humidité de l'air relative est bien plus élevée (de 35 % à environ 70 %). L'humidité de consigne maximale pouvant être réglée dépend de la température du sauna. Plus la température du sauna est élevée, plus la valeur de l'humidité maximale réglable est basse (voir courbe à la page 11).

### 3.5. Modes de fonctionnement des sondes

La commande de sauna peut être utilisée avec une ou deux sondes. La deuxième sonde utilisée peut être une sonde de température (sonde de banc, F2) ou une sonde de température-humidité (FTS2, seulement PRO B3).

#### ***Fonctionnement à une sonde (F1)***

Le fonctionnement à une sonde doit être activé à l'aide du commutateur de sélection de fonctions (voir page **8.5. Activation/désactivation du fonctionnement à une sonde à la page 25**).

Lors du fonctionnement à une sonde, la commande de sauna fonctionne uniquement avec la sonde de poêle équipée du dispositif de protection contre la surtempérature (F1). Celle-ci est comprise dans la livraison.

Lors du fonctionnement à une sonde, la commande de sauna n'affiche par défaut que la température de consigne. La température effective n'est pas affichée. Si, lors du fonctionnement à une sonde, vous souhaitez que la température effective affichée par la commande de sauna soit la température détectée au-dessus du poêle (sonde F1), vous devez activer cette fonction lors de la mise en service (voir **8.7. Affichage de la température du poêle en fonctionnement à une sonde à la page 26**).

**Seulement PRO B3** : La valeur d'humidité maximale pouvant être réglée varie selon la température au-dessus du poêle et si l'humidité est cadencée. Sur l'écran de la commande de sauna, seule la valeur de consigne de l'humidité (en % d'humidité de l'air relative) est affichée. L'humidité réelle dans la cabine du sauna dépendant, lorsque l'humidité est cadencée, de la taille de la cabine et de la puissance de l'évaporateur, elle peut diverger de la valeur de consigne réglée.

FR

#### ***Fonctionnement à deux sondes avec sonde de banc (F2)***

Le fonctionnement à deux sondes est activé par défaut.

En fonctionnement à deux sondes avec sonde de banc, une deuxième sonde de température (sonde de banc) est montée au-dessus du banc arrière du sauna. La commande de sauna indique la température mesurée par la sonde de banc comme température effective.

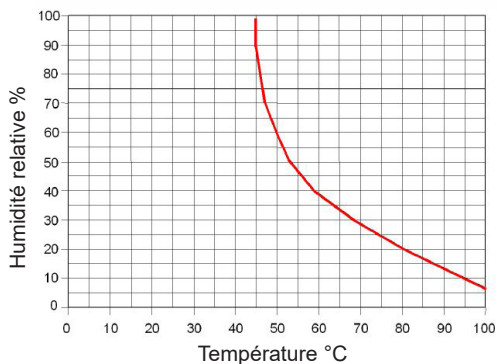
**Seulement PRO B3** : En fonctionnement à deux sondes avec sonde de banc, l'humidité est cadencée. Sur l'écran de la commande de sauna, seule la valeur de consigne de l'humidité (en % d'humidité de l'air relative) est affichée. L'humidité réelle dans la cabine du sauna dépendant, lorsque l'humidité est cadencée, de la taille de la cabine et de la puissance de l'évaporateur, elle peut diverger de la valeur de consigne réglée.

**Seulement PRO B3 :****Fonctionnement à deux sondes avec sonde de température-humidité (FTS2)**

Le fonctionnement à deux sondes est activé par défaut.

Lorsqu'une sonde de température-humidité est utilisée en fonctionnement à deux sondes, la commande de sauna indique la température mesurée par la sonde de température-humidité comme température effective.

En fonctionnement à deux sondes avec sonde de température-humidité, l'évaporateur est réglé en fonction de l'humidité mesurée dans la cabine. Sur l'écran de la commande de sauna, l'humidité réelle de la cabine de sauna (en % d'humidité de l'air relative) est affichée.



EN 60335-2-53:2011 ; courbe Température / Humidité relative pour une utilisation conforme.

## 4. Montage

### 4.1. Montage de la commande de sauna

---

**ATTENTION !*****Endommagement de l'appareil***

La commande de sauna est protégée contre les projections d'eau, mais un contact direct avec de l'eau peut quand même endommager l'appareil.

- Montez la commande de sauna à un endroit sec où l'humidité de l'air ne dépasse pas 95 %.
- 

**ATTENTION !*****Les sources d'interférences gênent la transmission des signaux***

- Installez tous les câbles des sondes séparément des autres câbles électriques et câbles de commande.
  - Protégez simplement les câbles isolés par un tuyau (isolation double).
- 

Lors du montage de la commande de sauna, tenez compte des points suivants :

- La commande de sauna doit être montée en dehors de la cabine de sauna ou conformément aux recommandations du fabricant de la cabine.
- La température ambiante doit être comprise entre -10 °C et +40 °C.
- Toutes les sondes doivent être raccordées avec les câbles de sondes joints qui résistent à une température allant jusqu'à 150 °C.



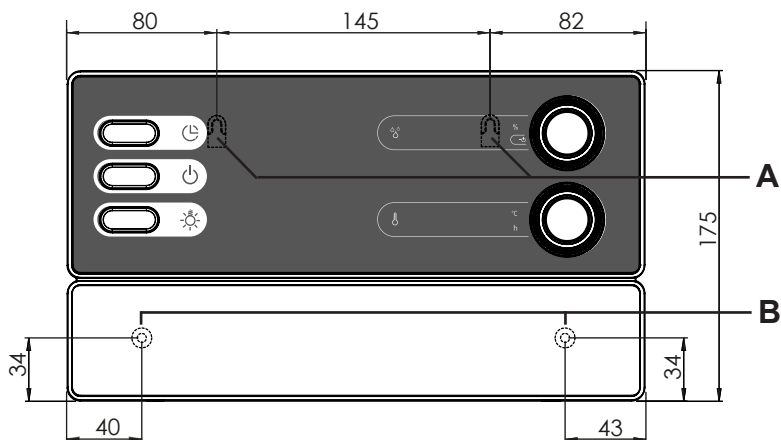
---

Les câbles des sondes peuvent être rallongés aux conditions suivantes :

- Utilisez un câble en silicone résistant à des températures allant jusqu'à 150 °C.
  - La section minimale du câble est de 0,5 mm<sup>2</sup>.
  - La longueur des câbles de la sonde de poêle NE doit PAS dépasser 10 m.
-

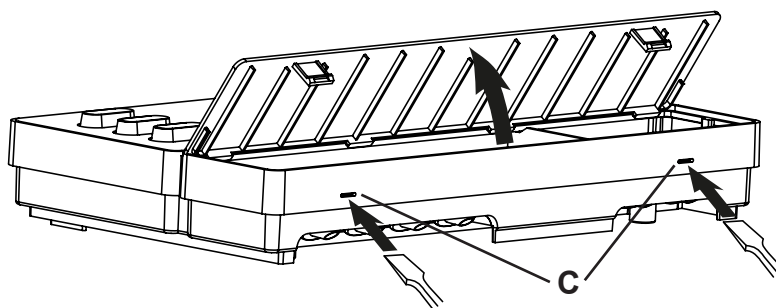
Pour le montage de la commande de sauna, suivez les étapes suivantes :

1. Vissez deux vis cruciformes (16 mm) à une hauteur d'environ 1,70 m jusqu'à obtenir un écartement de 7 mm dans la paroi du sauna. L'espace entre les deux vis doit être de 145 mm (voir **Fig.1**).



**Fig.1** Position du dispositif de suspension et des ouvertures de montage (mesures en mm)

2. Appuyez légèrement dans les fermetures à déclic **C** avec un tournevis et retirez le couvercle du boîtier (voir **Fig.2**).
3. Accrochez la commande de sauna à l'aide du dispositif de suspension **A** aux vis cruciformes montées (voir **Fig.1**).
4. Vissez deux vis cruciformes (16 mm) dans les ouvertures de fixation inférieures **B** (voir **Fig.1**).



**Fig.2** Retrait du couvercle du boîtier

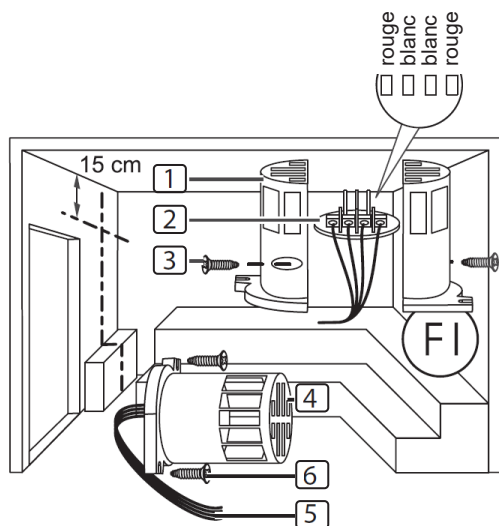
## 4.2. Montage de la sonde de poêle F1 avec dispositif de protection contre la surtempérature

Lors du montage de la sonde de poêle, tenez compte des points suivants :

- La sonde de poêle est montée sur la paroi arrière du poêle, dans la moitié supérieure du poêle. Respectez une distance de 15 cm environ par rapport au plafond de la cabine.
- La sonde de poêle doit être posée de sorte à ne pas être influencée par l'air entrant.

Pour le montage de la sonde de poêle, suivez les étapes suivantes (voir **Fig.3**) :

1. Faites passer les deux câbles bipolaires de la sonde de poêle dans la paroi de la cabine du sauna jusqu'à l'emplacement de montage de la sonde de poêle et fixez les câbles de la sonde de poêle avec des serre-câbles.
2. Séparez les demi-coquilles **1** de la sonde de poêle l'une de l'autre.
3. Branchez les quatre raccordements du câble de la sonde de poêle **5** conformément à la **Fig.3**.
4. Posez la plaque de raccordement **2** en travers (voir **Fig.3**) dans les demi-coquilles de la sonde de poêle.
5. Fermez les demi-coquilles, vissez-les à l'aide des deux vis cruciformes **3** (9 mm) et vérifiez que la sonde de poêle est bien fermée.
6. Montez la sonde de poêle sur la paroi arrière du poêle à l'aide des deux vis à bois **6** (16 mm).



- 1** Demi-coquilles de la sonde de poêle
- 2** Plaque de raccordement
- 3** Vis cruciformes (9 mm)
- 4** Sonde de poêle
- 5** Câbles de sonde de poêle
- 6** Vis à bois (16 mm)

**Fig.3 Montage de la sonde de poêle**

### **4.3. Montage de la sonde de banc F2 (en option)**

La sonde de banc est montée dans la paroi de la cabine au-dessus du banc arrière. Respectez une distance de 15 cm environ par rapport au plafond de la cabine.

Pour le montage de la sonde de banc, suivez les étapes suivantes :

1. Faites passer le câble bipolaire de la sonde de banc dans la paroi de la cabine du sauna jusqu'à l'emplacement de montage de la sonde de banc et fixez les câbles de la sonde de banc avec des serre-câbles.
2. Séparez les demi-coquilles de la sonde de banc l'une de l'autre.
3. Branchez les deux raccordements du câble de la sonde de banc sur les deux bornes du milieu de la plaque de raccordement.
4. Posez la plaque de raccordement en travers dans les demi-coquilles de la sonde de banc.
5. Fermez les demi-coquilles et vissez-les avec les deux vis cruciformes (9 mm).
6. Vérifiez que la sonde de banc est correctement fermée.
7. Montez la sonde de banc sur la paroi de la cabine à l'aide des deux vis à bois jointes (16 mm). Respectez une distance de 15 cm par rapport au plafond de la cabine.

### **4.4. Montage de la sonde de température-humidité FTS2 (en option, seulement PRO B3)**

La sonde de température-humidité est montée sur la paroi de la cabine au-dessus du banc arrière. Respectez une distance de 15 cm environ par rapport au plafond de la cabine.

Pour le montage de la sonde de température-humidité, suivez les étapes suivantes :

1. Faites passer le câble à 5 pôles de la sonde dans la paroi de la cabine du sauna jusqu'à l'emplacement de montage de la sonde de température-humidité et fixez les câbles de la sonde avec des serre-câbles.
2. Montez la sonde de température-humidité sur la paroi de la cabine à l'aide des deux vis à bois jointes (16 mm). Respectez une distance de 15 cm par rapport au plafond de la cabine.

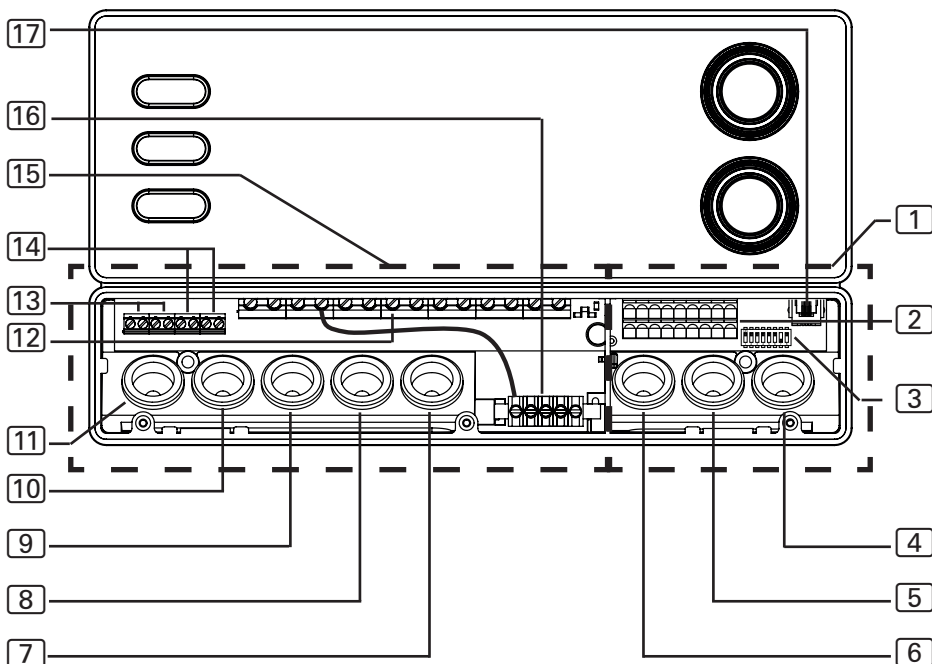


## 5. Branchements électriques

### ATTENTION !

#### *Endommagement de l'appareil*

- La commande de sauna doit uniquement être utilisée pour la commande et le réglage de 3 cycles de chauffage avec une puissance de 3,5 kW max. par cycle. La puissance maximale de l'évaporateur (seulement PRO B3) est de 3,5 kW.



- |   |   |    |   |
|---|---|----|---|
| 1 | Zone de raccordement pour très basse tension                                      | 9  | Passage de câbles pour câble d'alimentation                                       |
| 2 | Bloc de jonction pour arrêt de sécurité, démarrage à distance et câbles de sondes | 10 | Passage de câbles pour module d'extension de puissance                            |
| 3 | Commutateur de sélection de fonctions   | 11 | Passage de câbles pour éclairage et ventilation                                   |
| 4 | Passage de câbles pour sonde F2 et sonde FTS2                                     | 12 | Bloc de jonction pour câble de poêle, câble d'évaporateur et câble d'alimentation |
| 5 | Passage de câbles pour sonde F1   | 13 | Bloc de jonction pour éclairage et ventilation                                    |
| 6 | Passage de câbles pour arrêt de sécurité et démarrage à distance                  | 14 | Bloc de jonction pour module d'extension de puissance                             |
| 7 | Passage de câbles pour câble d'évaporateur  | 15 | Zone de raccordement pour 230 V/400 V   |
| 8 | Passage de câbles pour câble de poêle   | 16 | Fil de terre  |
|   |   | 17 | Connecteur RJ45 pour RS485 et MySento Wifi  |

Lors du raccordement électrique de la commande de sauna, tenez compte des points suivants :

- Seul un électricien spécialisé ou une personne ayant une qualification similaire est habilité à procéder au montage.



Pour bénéficier de la garantie, vous devez présenter une copie de la facture de l'électricien ayant effectué le branchement.

- Les travaux sur la commande de sauna doivent être effectués uniquement lorsque l'appareil n'est pas sous tension.
- L'alimentation électrique doit être assurée par un raccordement fixe.
- Un dispositif de coupure totale du circuit sur tous les pôles (catégorie de surtension III) doit être prévu par le client.
- Respectez le schéma de raccordement **Fig.4** à la page **22** ou **Fig.5** à la page **23**.

### 5.1. Branchement du câble d'alimentation, du poêle et de l'évaporateur

1. Faites passer le câble d'alimentation et le câble de poêle et d'évaporateur (seulement PRO B3) dans les passages de câbles [9], [8], [7] dans la zone de raccordement pour 230 V/400 V [15].
2. Branchez les câbles de raccordement conformément au schéma de raccordement sur le bloc de jonction [12]. Conformez-vous au mode d'emploi des différents appareils.
3. Si l'évaporateur ne dispose pas d'un arrêt automatique en cas de manque d'eau, suivez les étapes suivantes :
  - Reliez la borne « **V1** » à la borne « **Wm** » à l'aide du fil de liaison joint.

### 5.2. Branchement de l'éclairage

1. Faites passer le câble d'éclairage dans le passage de câbles [11] dans la zone de raccordement pour 230 V/400 V [15].
2. Branchez le câble d'éclairage conformément au schéma de raccordement sur le bloc de jonction [13]. Conformez-vous au mode d'emploi de chaque appareil.

### 5.3. Branchement du ventilateur (en option, seulement PRO B3)

1. Faites passer le câble du ventilateur dans le passage de câbles [11] dans la zone de raccordement pour 230 V/400 V [15].
2. Branchez le câble du ventilateur conformément au schéma de raccordement sur le bloc de jonction [13]. Conformez-vous au mode d'emploi de chaque appareil.

## 5.4. Branchement du module d'extension de puissance (en option)

1. Faites passer le câble du module d'extension de puissance dans le passage de câbles **10** dans la zone de raccordement pour 230 V/400 V **15**.
2. Branchez le câble du module d'extension de puissance conformément au schéma de raccordement sur le bloc de jonction **14**. Utilisez la borne « **ST1** » pour le circuit de sécurité et la borne « **ST2** » pour le circuit de commande. Conformez-vous au mode d'emploi de chaque appareil.

## 5.5. Branchement de la sonde de poêle F1

1. Faites passer les câbles de la sonde de poêle dans le passage de câbles **5** dans la zone de raccordement pour très basse tension **1**.
2. Raccordez les câbles rouges de la sonde de poêle aux bornes portant l'inscription « **STB** » sur le bloc de jonction **2**.
3. Raccordez les câbles blancs de la sonde de poêle aux bornes portant l'inscription « **F1** » sur le bloc de jonction **2**.

## 5.6. Branchement de la sonde de banc F2 (en option)

1. Faites passer les câbles de la sonde de banc dans le passage de câbles **4** dans la zone de raccordement pour très basse tension **1**.
2. Raccordez les câbles de la sonde de banc aux bornes portant l'inscription « **F2** » sur le bloc de jonction **2**.

## 5.7. Raccordement de la sonde de température-humidité FTS2 (en option, seulement PRO B3)

1. Faites passer les câbles de la sonde dans le passage de câbles **4** dans la zone de raccordement pour très basse tension **1**.
2. Raccordez les câbles de la sonde de température aux bornes portant l'inscription « **F2** » sur le bloc de jonction **2**.
  - a. Branchez le câble noir à la borne de droite.
  - b. Branchez le câble marron à la borne de gauche.
3. Raccordez les câbles de la sonde d'humidité aux bornes portant l'inscription « **+ S -** » sur le bloc de jonction **2**.
  - c. Branchez le câble vert à la borne « **+** ».
  - d. Branchez le câble orange à la borne « **S** ».
  - e. Branchez le câble rouge à la borne « **-** ».

## 5.8. Branchement du dispositif d'arrêt de sécurité/capteur de porte

Selon la norme EN 60335-2-53, les commandes de sauna avec actionnement à distance ne doivent être utilisées que pour la commande et le réglage d'un poêle de sauna qui a passé avec succès le contrôle défini au paragraphe 19.101. Un dispositif d'arrêt de sécurité (par ex. une bascule d'arrêt)/capteur de porte adapté peut également être installé. Le poêle du sauna est ainsi arrêté lorsque des objets, par exemple une serviette, sont posés sur le poêle, ou lorsque la porte du sauna est ouverte.

Pour le montage du dispositif d'arrêt de sécurité, suivez les étapes suivantes :

1. Montez le dispositif d'arrêt de sécurité conformément au mode d'emploi de l'appareil.
2. Faites passer les câbles du dispositif d'arrêt de sécurité dans le passage de câbles [6] dans la zone de raccordement pour très basse tension [1].
3. Raccordez les câbles aux bornes portant l'inscription « **OSG** » sur le bloc de jonction [2].



S'il n'y a pas de dispositif d'arrêt de sécurité, pontez les bornes portant l'inscription « **OSG** » à l'aide d'un fil de liaison.

## 5.9. Activation à distance

Le raccordement se fait via les bornes « **S** », « **B** » et « **C** ». « **S** » correspond au mode sauna et « **C** » au mode évaporateur. « **B** » est une sortie +24 V CC. Celle-ci doit être commutée par un commutateur ou un actionneur sur la borne correspondant au mode de fonctionnement souhaité.

## 5.10. Fin de l'installation

1. Raccordez le fil de terre du câble d'alimentation et de tous les appareils à la borne de terre [16].
2. Placez le couvercle du boîtier sur le bord supérieur de la boîte de raccordement.
3. Appuyez légèrement les fermetures à déclic vers l'intérieur et abaissez le couvercle du boîtier jusqu'à ce que vous entendiez un clic d'enclenchement.

## 6. Exécution des contrôles

Les contrôles suivants doivent être exécutés par un installateur-électricien agréé.



### AVERTISSEMENT !

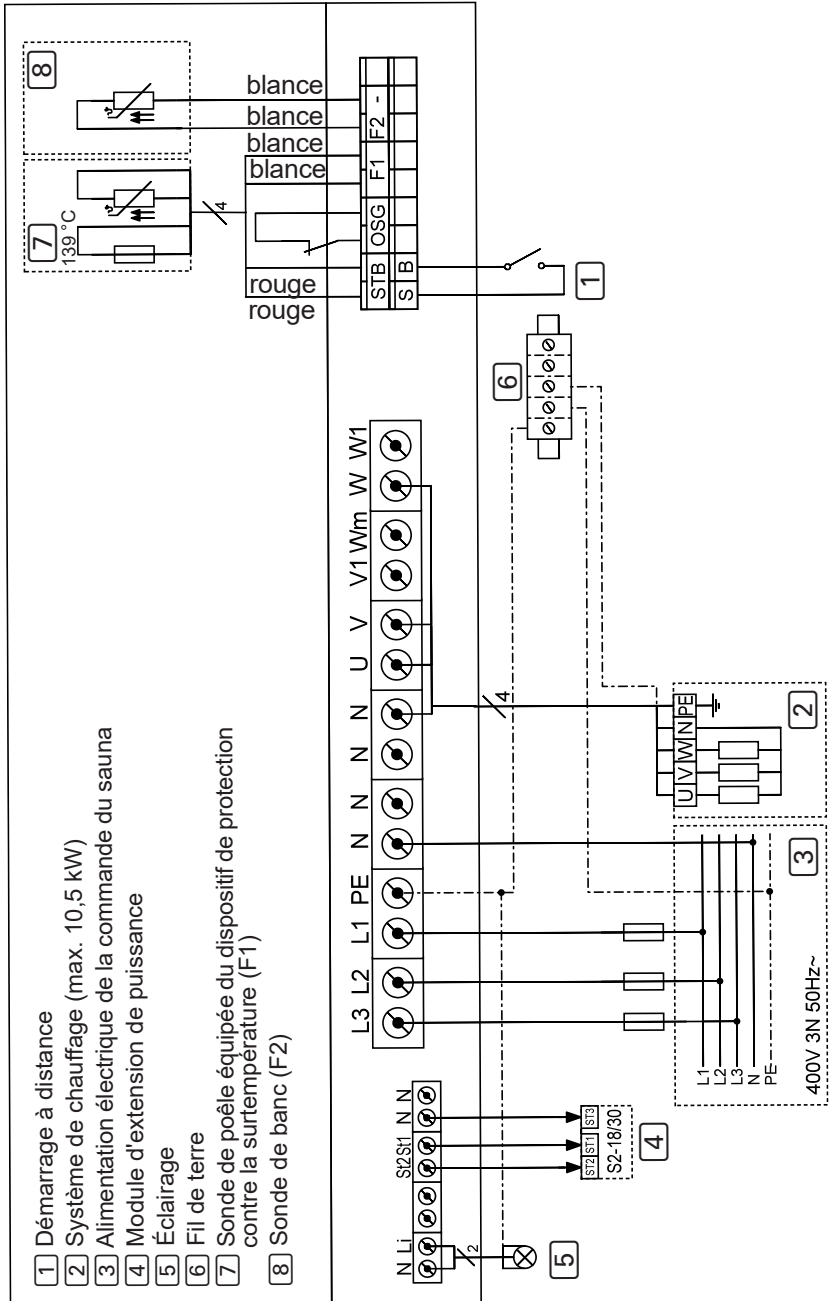
***Les contrôles suivants doivent être effectués sous tension. Attention au risque d'électrocution.***

- Ne touchez JAMAIS de pièces conductrices sous tension.

1. Contrôlez le contact des câbles de terre à la borne de mise à la terre.
2. Contrôlez le dispositif de protection contre la surtempérature de la sonde de poêle F1.
  - a. Mettez la commande de sauna en marche.
  - b. Ouvrez la sonde de poêle et débranchez un des deux câbles rouges de la sonde de poêle.
    - ▶ Sur l'écran supérieur, le message « Err » s'affiche, « 02 » s'affiche sur l'écran inférieur et la commande stoppe le poêle.
  - c. Arrêtez la commande de sauna.
  - d. Rebranchez le câble rouge de la sonde de poêle.
  - e. Débranchez maintenant un des câbles blancs de la sonde de poêle.
  - f. Mettez la commande de sauna en marche.
    - ▶ Sur l'écran supérieur, le message « Err » s'affiche, « 04F1 » s'affiche sur l'écran inférieur et la commande stoppe le poêle.
  - g. Arrêtez la commande de sauna.
  - h. Rebranchez le câble blanc de la sonde de poêle.
3. Vérifiez la commutation des phases pour le mode sauna de L1, L2, L3 à U, V, W.
4. Contrôlez la puissance de chauffage maximale autorisée sur la commande de sauna (3,5 kW par phase).
5. Seulement PRO B3 : Vérifiez la commutation des phases pour le mode évaporateur de L1, L2, L3 en U, V1, W.
6. En présence d'un module d'extension de puissance optionnel
  - a. Contrôlez les câbles de commande ST1, ST2 et ST3.
  - b. Contrôlez la puissance de chauffage maximale sur le module d'extension de puissance S2-18 de 3 kW pour chaque phase.
  - c. Contrôlez la puissance de chauffage maximale sur le module d'extension de puissance S2-30 de 7 kW pour chaque phase.

## 7. Schéma de raccordement

**Fig.4 Schéma de raccordement PRO B2**





## 8. Mise en service

### 8.1. Réglage du commutateur de sélection de fonctions

Vous pouvez activer différentes fonctions du produit à l'aide du commutateur de sélection de fonctions qui se trouve dans la zone de raccordement pour très basse tension. L'illustration de droite représente le réglage standard du commutateur de sélection de fonctions.

Veillez à ce que la commande soit éteinte pendant 10 secondes après les modifications, et ce afin d'enregistrer les réglages.

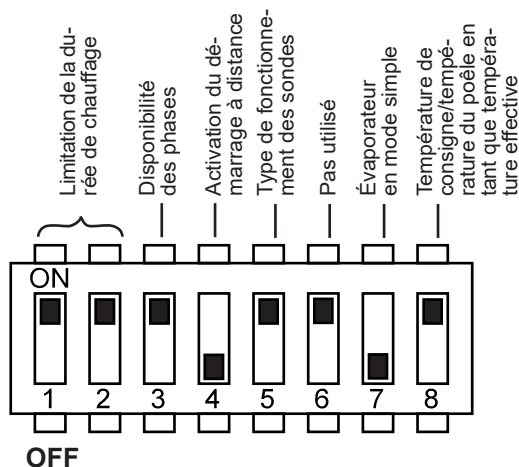


Fig.6 Commutateur de sélection de fonctions - réglage standard

### 8.2. Réglage de la limitation de la durée de chauffage

La durée de chauffage maximale est réglée par défaut sur 6 h. La commande de sauna s'arrête automatiquement au bout du temps de chauffage maximal pour des raisons de sécurité.

Vous pouvez régler la durée de chauffage maximale sur 12 h, 18 h ou 24 h à l'aide du commutateur de sélection de fonctions dans la zone de raccordement pour très basse tension.

Vous trouverez pour cela les positions du commutateur de sélection de fonctions dans le tableau de droite.

Sélecteur de fonction	1	2
6 h	ON	ON
12 h	OFF	ON
18 h	ON	OFF
24 h	OFF	OFF



La norme EN 60335-2-53 prévoit une limitation de la durée de chauffage à 6 h maximum pour les saunas privés. Pour les saunas dans les hôtels, les immeubles et les endroits similaires, la limitation de la durée de chauffage peut atteindre un maximum autorisé de 12 h. Une extension de la limitation de la durée de chauffage à 18 h ou à 24 h est autorisée pour les saunas publics uniquement.



### 8.3. Activation/désactivation de la disponibilité des phases

Le commutateur de sélection de fonctions **3** permet d'activer ou de désactiver la disponibilité des phases.

- Le commutateur de sélection de fonctions **3** se trouve par défaut en position ON. La disponibilité des phases est donc activée.
- Si vous souhaitez désactiver la disponibilité des phases, placez le commutateur de sélection de fonctions **3** en position OFF.

### 8.4. Activation du démarrage à distance

Le commutateur de sélection de fonctions **4** permet de sélectionner la fonction de la sortie de démarrage à distance (voir EN60335-2-53).

- Le commutateur de sélection de fonctions **4** se trouve par défaut en position OFF. Le démarrage à distance est activé en utilisant « Mode de veille d'actionnement à distance ».
- Si vous souhaitez activer la sortie de démarrage à distance pour divers appareils (par exemple monnayeur, système de démarrage à distance, surveillance de porte), mettez le commutateur de sélection de fonctions **4** en position ON.

### 8.5. Activation/désactivation du fonctionnement à une sonde

Lors du fonctionnement à une sonde, la commande de sauna fonctionne uniquement avec la sonde de poêle équipée du dispositif de protection contre la surtempérature (sonde F1). Le fonctionnement à une sonde peut être activé par l'intermédiaire du commutateur de sélection de fonctions **5**.

- Le commutateur de sélection de fonctions **5** se trouve par défaut en position ON. Le fonctionnement à deux sondes est donc activé.
- Si vous souhaitez désactiver le fonctionnement à une sonde, placez le commutateur de sélection de fonctions **5** en position OFF.

### 8.6. Activation du mode évaporateur simple (seulement PRO B3)

Le réglage d'usine ne permet qu'une mise en service commune de l'évaporateur et du système de chauffage. Pour exploiter l'évaporateur sans le système de chauffage, activez le mode simple de ce premier par le commutateur de sélection de fonction **7**.

- Le commutateur de sélection de fonctions **7** se trouve par défaut en position OFF. Le mode simple de l'évaporateur est par conséquent désactivé.
- Si vous souhaitez activer le mode simple de l'évaporateur, mettez le commutateur de sélection de fonctions **7** en position ON.

## 8.7. Affichage de la température du poêle en fonctionnement à une sonde

Lors du fonctionnement à une sonde, la commande de sauna n'affiche par défaut que la température de consigne. La température effective n'est pas affichée. Si, lors du fonctionnement à une sonde, vous souhaitez que la température effective affichée par la commande de sauna soit la température détectée au-dessus du poêle (sonde F1), vous devez sélectionner cette fonction par l'intermédiaire du commutateur de sélection de fonctions **8**.

- Le commutateur de sélection de fonctions **8** se trouve par défaut en position ON. Ainsi, seule la température de consigne apparaît.
- Si vous souhaitez que la température effective affichée soit la température détectée au-dessus du poêle, vous devez placer le commutateur de sélection de fonctions **8** en position OFF.



Veillez tenir compte du fait que la température au-dessus du poêle est toujours plus élevée que la température dans la zone des bancs. En prenant la température du poêle comme température effective, la température affichée par la commande de sauna est plus élevée que la température mesurée par votre thermomètre de cabine.

## 8.8. Paramètres de menu de configuration

### *Appel du menu de configuration*

De plus amples réglages peuvent être effectués dans le menu de configuration. Procédure d'accès au menu de configuration :

1. La commande de sauna doit être éteinte.
2. Appuyez simultanément sur le commutateur MARCHE/ARRÊT [6], le sélecteur de marche programmée [7] et le sélecteur de température [3].
  - ▶ L'écran supérieur [1] indique « SEtt »
3. Appuyez sur le sélecteur de température [3] pour parvenir au réglage souhaité.

### *Réglage de la durée du programme de séchage final (seulement PRO B3)*

La durée de fonctionnement maximale du programme de séchage final est réglée par défaut sur 60 min. Si vous souhaitez modifier ce réglage, suivez les étapes suivantes :

1. Appelez le menu de configuration
  - ▶ L'écran supérieur [1] indique « dry »
  - ▶ L'écran inférieur [4] indique « t30 »
2. Sélectionnez la valeur souhaitée à l'aide du sélecteur de température [3] : (sélection 0 - 60 ; 0 = programme de séchage final désactivé ; 60 = durée de fonctionnement maximale en minutes)

### Activation du dispositif d'arrêt de sécurité/capteur de porte

- Affichez le menu de configuration (voir 26)
  - L'écran supérieur [1] indique « SdO »
  - L'écran inférieur [4] indique « SAFE » (=réglage standard)
- Sélectionnez la valeur souhaitée à l'aide du sélecteur de température [3] :
  - « SAF » signifie que le dispositif d'arrêt de sécurité SAFE est activé (par défaut)
  - « dor » signifie que le capteur de porte DOOR est activé

### Enregistrement des réglages et sortie du menu de configuration

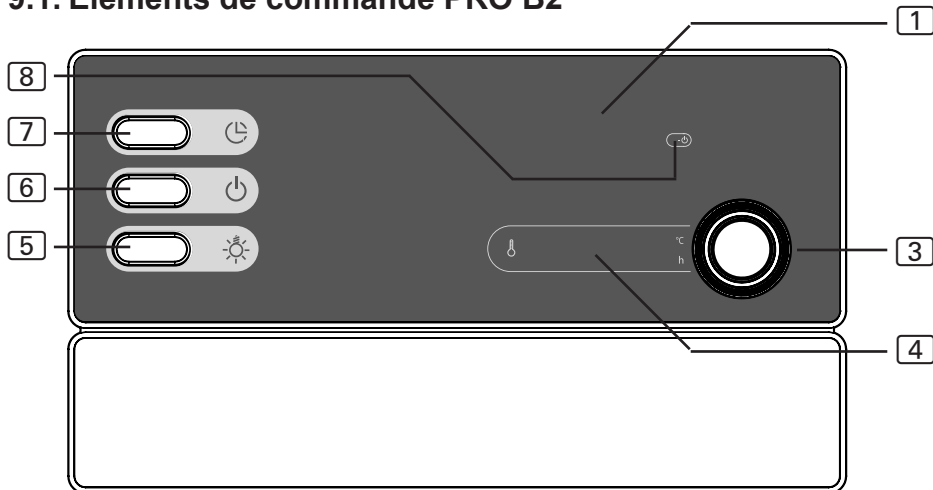
Appuyez pendant environ 3 secondes sur le sélecteur de température [3].

### Version de logiciel

- Appuyez sur le commutateur MARCHE/ARRÊT [6] pour mettre la commande de sauna en marche.
- Appuyez pendant 5 secondes simultanément sur le sélecteur de marche programmée [7] et le sélecteur de température [3]
  - L'écran supérieur [1] indique la version du logiciel « 5.00.5 »

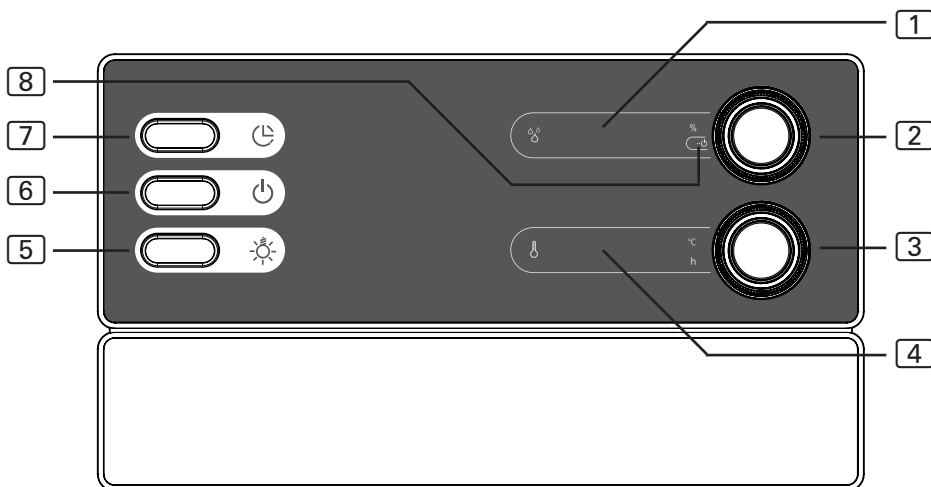
## 9. Utilisation

### 9.1. Éléments de commande PRO B2



- |                              |                                       |
|------------------------------|---------------------------------------|
| [1] Affichage supplémentaire | [5] Commutateur d'éclairage           |
| [2] -                        | [6] Commutateur MARCHE/ARRÊT          |
| [3] Sélecteur de température | [7] Sélecteur de marche programmée    |
| [4] Affichage de température | [8] Affichage de démarrage à distance |

## 9.2. Éléments de commande PRO B3



1 Affichage de l'humidité

2 Sélecteur d'humidité

3 Sélecteur de température

4 Affichage de température

5 Commutateur d'éclairage

6 Commutateur MARCHÉ/ARRÊT

7 Sélecteur de marche programmée

8 Affichage de démarrage à distance

## 9.3. Allumage de l'éclairage

L'éclairage de la cabine de sauna peut être allumé et éteint indépendamment du commutateur MARCHÉ/ARRÊT **6**.

- Pour allumer ou éteindre l'éclairage, appuyez sur le commutateur d'éclairage **5**.

## 9.4. Mise en marche de la commande de sauna



### AVERTISSEMENT !

#### *Risque d'incendie*

Des objets inflammables se trouvant sur le poêle du sauna peuvent s'enflammer et provoquer des incendies.

- NE placez JAMAIS de matériaux inflammables sur le poêle de sauna.
- Assurez-vous qu'AUCUN objet inflammable ne se trouve sur le poêle de sauna avant d'allumer la commande.

- Appuyez sur le commutateur MARCHE/ARRÊT **[6]** pour mettre la commande de sauna en marche.
  - ▶ Le message « 0 » apparaît pendant quelques secondes sur l'affichage de température **[4]**. La température de la cabine est ensuite affichée. Lors du fonctionnement à une sonde, la dernière température de consigne réglée apparaît.
  - ▶ Seulement PRO B3 : Le message « 0 » apparaît pendant quelques secondes sur l'affichage de l'humidité **[1]**. L'humidité actuelle de la cabine est ensuite affichée. Si aucune sonde de température-humidité n'est installée, la dernière valeur de consigne d'humidité est affichée.

## 9.5. Activation du mode sauna

FR

1. Réglez la température souhaitée à l'aide du sélecteur de température **[3]**.
  - ▶ Le sélecteur de température **[3]** clignote et la température de consigne réglée apparaît sur l'affichage de température **[4]**.
2. Appuyez sur le sélecteur de température **[3]**.
  - ▶ Le poêle de sauna se met en marche et commence à chauffer.
  - ▶ La température actuelle de la cabine apparaît sur l'affichage de température **[4]**. Lors du fonctionnement à une sonde, la température de consigne est affichée.



Vous pouvez modifier la température de consigne à tout moment durant le fonctionnement.

- Tournez le sélecteur de température **[3]** vers la droite pour augmenter la température.
- Tournez le sélecteur de température **[3]** vers la gauche pour réduire la température.
- ▶ Le sélecteur de température **[3]** clignote et la nouvelle température réglée est appliquée.

## 9.6. Démarrage du mode mixte (seulement PRO B3)

1. Réglez la température souhaitée à l'aide du sélecteur de température [3].
  - ▶ Le sélecteur de température [3] clignote et la température de consigne réglée apparaît sur l'affichage de température [4].
2. Appuyez sur le sélecteur de température [3].
  - ▶ Le poêle de sauna se met en marche et commence à chauffer.
  - ▶ La température actuelle de la cabine apparaît sur l'affichage de température [4]. Lors du fonctionnement à une sonde, la température de consigne est affichée.
3. Choisissez l'humidité souhaitée à l'aide du sélecteur d'humidité [2].
  - ▶ Le sélecteur d'humidité [2] clignote et la valeur d'humidité de consigne réglée apparaît sur l'affichage de l'humidité [1].
4. Appuyez sur le sélecteur d'humidité [2].
  - ▶ L'évaporateur est mis en marche.
  - ▶ L'humidité actuelle de la cabine apparaît sur l'affichage d'humidité [1]. Si aucune sonde de température-humidité n'est installée, l'humidité de consigne est affichée.



Exploiter la commande de sauna sans sonde de température-humidité (FTS2) active le mode cadencé. L'évaporateur reste en service pendant 10 minutes sans interruption si la température de cabine devient inférieure à 30 °C. Cela permet à l'eau du réservoir d'atteindre une température de base. Le mode cadencé se met ensuite en marche.



L'évaporateur ne peut être démarré que lorsque le poêle de sauna est allumé. L'humidité de consigne maximale pouvant être réglée dépend de la température du sauna. Plus la température du sauna est élevée, plus la valeur de l'humidité maximale réglable est basse (voir **courbe 12**).

**Exception** : Le mode évaporateur simple est activé (voir ). Il est possible dans ce cas de figure de mettre l'évaporateur en marche sans le poêle de sauna, la température de la cabine déterminant l'humidité maximum.

## 9.7. Activation du mode de veille de l'actionnement à distance

Selon la norme EN 60335-2-53, les commandes de sauna avec fonction d'activation à distance doivent être réglées manuellement sur le mode de fonctionnement « Veille d'actionnement à distance ».

### ***En cas de dispositif d'arrêt de sécurité activé (par défaut)***



Cette activation doit être répétée après chaque procédure de démarrage et d'arrêt à distance.

Pour cela, suivez les étapes suivantes :

1. Appuyez sur le sélecteur de température [3] pendant trois secondes.
  - ▶ L'affichage de démarrage à distance [8] clignote.
  - ▶ Le système de démarrage et d'arrêt de la commande de sauna par signal à distance est maintenant opérationnel.
  - ▶ L'affichage de démarrage à distance s'éteindra après l'exécution de chaque procédure de démarrage ou d'arrêt à distance ; il faudra également réactiver le mode de fonctionnement.

### ***Lorsque le capteur de porte est activé***

1. Appuyez sur le sélecteur de température [3] pendant trois secondes.
  - ▶ L'écran inférieur affiche un compte à rebours de 30 secondes. La porte peut être ouverte/fermée autant de fois que nécessaire pendant cette durée. La porte doit être fermée une fois le compte à rebours écoulé !
  - ▶ L'affichage de démarrage à distance [8] clignote.
  - ▶ Le système de démarrage et d'arrêt uniques de la commande de sauna par signal à distance est maintenant opérationnel = mode « Veille de l'actionnement à distance »

### ***La porte s'ouvre - l'avertissement « door » s'affiche à l'écran***

- En mode Veille de l'actionnement à distance :  
Pour continuer dans ce mode, il convient de fermer la porte et de valider l'avertissement en maintenant enfoncé le bouton rotatif inférieur.
  - ▶ L'écran affiche à nouveau le compte à rebours (30 sec.).
- en cours de fonctionnement ou sortie de démarrage à distance validée (pour monnayeur ou système de capteur de porte) :  
La validation est automatique lorsque la porte est fermée.

## 9.8. Paramétrage du démarrage différé



### AVERTISSEMENT !

#### *Risque d'incendie*

Des objets inflammables se trouvant sur le poêle de sauna brûlant peuvent s'enflammer et provoquer des incendies.

- NE placez JAMAIS de matériaux inflammables sur le poêle de sauna.
- Assurez-vous qu'AUCUN objet inflammable ne se trouve sur le poêle avant d'activer la marche programmée du sauna.

Vous pouvez régler l'horaire de la marche programmée par paliers de 15 minutes. Le délai maximum pour le démarrage différé est de 24 h. La marche programmée est affichée en heures et en minutes, par ex. 8 heures et 15 minutes seront affichées : 8.15.

1. Activez le mode sauna ou le mode mixte (voir étapes **9.5** et **9.6**)
2. Appuyez sur le sélecteur de marche programmée **[7]**.
  - ▶ Le sélecteur de température **[3]** clignote et la dernière marche programmée réglée apparaît sur l'affichage de température **[4]**.
3. Appuyez sur le sélecteur de marche programmée **[7]** pour augmenter la marche programmée par paliers de 15 minutes.
4. Lorsque vous avez atteint la durée de marche programmée souhaitée, attendez quelques secondes.
  - ▶ La commande de sauna passe en mode veille et la minuterie se met en marche.
  - ▶ Affichage de température **[4]** : indication de la marche programmée restante avec clignotement du sélecteur de température **[3]**.
  - ▶ Une fois l'horaire de marche programmée atteint, le mode sélectionné s'active.



La dernière marche programmée étant sauvegardée, une pression de touche suffit ainsi pour appeler la dernière valeur. Pour remettre la marche programmée à 00:00, appuyez pendant trois secondes sur la touche de marche programmée.



## 9.9. Désactivation de la fonction de marche programmée

- Appuyez sur le sélecteur de marche programmée [7] et maintenez-le enfoncé durant trois secondes afin de désactiver la fonction de marche programmée.
  - ▶ Le décompte jusqu'à la mise en marche programmée est interrompu.
  - ▶ La température actuelle de la cabine apparaît sur l'affichage de température [4]. Lors du fonctionnement à une sonde, la température de consigne est affichée.

## 9.10. Arrêt du programme de séchage final (seulement PRO B3)

Le programme de séchage final démarre automatiquement après le mode mixte. La cabine de sauna est alors chauffée à 80 °C avec le ventilateur activé. (Par défaut = 30 minutes - en fonction des paramètres du menu de configuration). Le message « dry » apparaît sur l'affichage de température [4].

- Appuyez sur le sélecteur de température [3] et maintenez-le enfoncé durant trois secondes afin d'arrêter le programme de séchage final.



Afin d'éviter la formation de moisissure et de pourriture, le programme de séchage rapide ne doit PAS être interrompu.

## 9.11. Arrêt du mode sauna

- Appuyez sur le sélecteur de température [3].
  - ▶ Le poêle du sauna est arrêté. Avec PRO B3, le programme de séchage final démarre automatiquement après le mode mixte (min. 3 minutes).

FR

## 9.12. Arrêt de la commande de sauna

- Appuyez sur le commutateur MARCHE/ARRÊT [6] pour arrêter la commande de sauna.
  - ▶ L'affichage de l'humidité [1] et l'affichage de température [4] s'éteignent.
  - ▶ La commande de sauna est éteinte.

## 10. Nettoyage et entretien

### 10.1. Nettoyage

#### ATTENTION !

#### *Endommagement de l'appareil*

La commande de sauna est protégée contre les projections d'eau, mais un contact direct avec de l'eau peut quand même endommager l'appareil.

- Ne plongez JAMAIS l'appareil dans l'eau.
- Ne versez JAMAIS d'eau sur l'appareil.
- Ne nettoyez pas l'appareil avec trop d'eau.

1. Imbibez un chiffon de savon doux.
2. Essorez bien le chiffon.
3. Essuyez le boîtier de la commande de sauna avec précaution.

### 10.2. Entretien

La commande de sauna ne nécessite aucun entretien.

## 11. Élimination



- Éliminez les matériaux d'emballage conformément aux directives en vigueur relatives à l'élimination.
- Les appareils usagés contiennent des matériaux recyclables, mais aussi des substances toxiques. Par conséquent, ne jetez en aucun cas votre appareil usagé avec les déchets ménagers. Éliminez-le conformément aux directives locales en vigueur.

## 12. Dépannage

### 12.1. Messages d'erreur

La commande de sauna est équipée d'un logiciel de diagnostic qui contrôle l'état du système pendant la mise en marche et le fonctionnement. Dès que le logiciel de diagnostic détecte une erreur, la commande de sauna éteint le poêle.

Les erreurs vous sont signalées par un signal sonore répétitif et par le clignotement du sélecteur d'humidité [2] et du sélecteur de température [3]. De plus, le message « Err » apparaît sur l'affichage de l'humidité [1]. Le numéro de l'erreur apparaît sur l'affichage de température [4].

Arrêtez la commande de sauna à l'aide du commutateur MARCHE/ARRÊT [6] sur l'élément de commande et éliminez l'erreur avant de rallumer la commande de sauna.

Le tableau ci-dessous décrit les erreurs possibles et leurs causes. Si nécessaire, indiquez le numéro de l'erreur à votre service clientèle.

<i>Erreur</i>	<i>Description</i>	<i>Cause/résolution</i>
01	Arrêt de sécurité	Un objet est posé sur le poêle du sauna. Enlevez-le avant de remettre en service le poêle du sauna.  S'il n'y a pas de dispositif d'arrêt de sécurité, reportez-vous à <b>5.8 à la page 20</b> .
02	Limiteur de température de sécurité	La température maximale de 139 °C au-dessus du poêle a été dépassée.
04F1	Dysfonctionnement de la sonde de poêle	Sonde de poêle défectueuse, mauvais contact ou court-circuit
06F2	Dysfonctionnement de la sonde de banc	Sonde de banc défectueuse, mauvais contact ou court-circuit
07	Dysfonctionnement de la sonde d'humidité	Sonde d'humidité défectueuse, mauvais contact ou court-circuit
door	Porte de sauna ouverte	La commande du sauna est liée à un capteur de porte. Fermez la porte ou contrôlez les raccordements ou les réglages.

## 12.2. Affichage du manque d'eau (seulement PRO B3)

La commande de sauna dispose, en mode mixte, d'un arrêt automatique en cas de manque d'eau (si votre poêle mixte est compatible avec cette fonction).

Si le réservoir d'eau de l'évaporateur est vide, ceci vous est signalé par un signal sonore répétitif et le message «**FILL**» sur l'affichage de l'humidité [1]. L'évaporateur s'arrête simultanément.

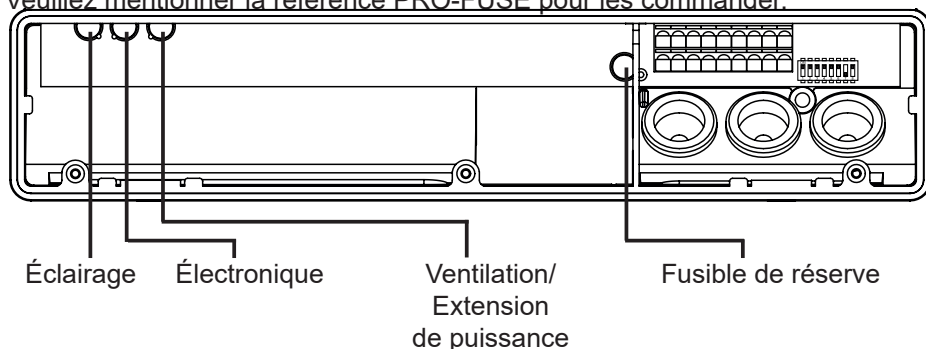
- Remplissez le réservoir d'eau.
  - ▶ Après un court instant, le message « FILL » s'éteint et l'évaporateur recommence à chauffer.

## 12.3. Fusibles

Les fusibles (ainsi qu'un exemplaire de réserve) de l'éclairage, de la ventilation/extension de puissance et des composants électroniques se trouvent dans la zone de raccordement de la commande du sauna.

Ce sont des microfusibles à retardement d'1 A.

Veillez mentionner la référence PRO-FUSE pour les commander.



Remplacement de fusible : retirez tout droit l'empîecement et insérez l'exemplaire neuf.

## 13. Caractéristiques techniques

### Conditions ambiantes

Température de stockage :	de -25 °C à +70 °C
Température ambiante :	de -10 °C à +40 °C
Humidité de l'air :	max. 95 %

### Commande de sauna

Dimensions :	307 x 175 x 57 mm
Tension de commutation/triphasée 3N :	400 V CA
Fréquence :	50 Hz
Puissance de commutation/radiateur :	3 x 3,5 kW
Courant de commutation par phase/radiateur :	16 A
Puissance de commutation/évaporateur (seulement PRO B3) :	3,5 kW
Courant de commutation/évaporateur (seulement PRO B3) :	16 A
Tension nominale :	230 V
Degré de protection (protection contre les projections d'eau) :	IPX4
Raccordement au réseau d'alimentation en raccordement fixe	

### Éclairage

Puissance de commutation :	100 W
Fusible :	1A T

### Ventilateur

Puissance de commutation :	100 W
Fusible :	1A T

### Plages de réglage

Température :	de 30 °C à 110 °C
Humidité :	de 0 à 100 %

L'humidité maximale pouvant être réglée dépend de la température du sauna. Plus la température du sauna est élevée, plus la valeur de l'humidité réglable maximale est basse.

---

**Sécurité thermique**

---

Sonde de poêle avec dispositif de protection contre la surtempérature (température de déclenchement : 139 °C)

Limitation automatique du temps de chauffage réglable (6 h, 12 h, 18 h, 24 h)

Au choix, fonctionnement à une ou deux sondes

**Câbles de raccordement**

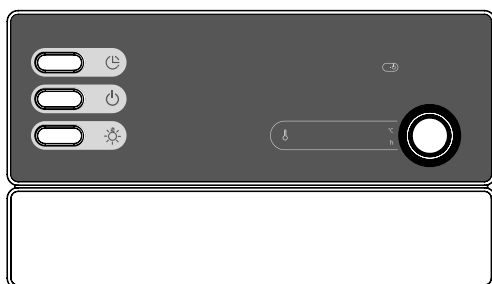
---

Câble d'alimentation :	min. 5 x 2,5 mm <sup>2</sup>
Câble de poêle (résistant à une température allant jusqu'à 150 °C) :	min. 2,5 mm <sup>2</sup>
Câbles de sonde (résistant à une température allant jusqu'à 150 °C) :	min. 0,5 mm <sup>2</sup>
Câble d'éclairage :	min. 1,5 mm <sup>2</sup>
Câble de ventilateur :	min. 1,5 mm <sup>2</sup>

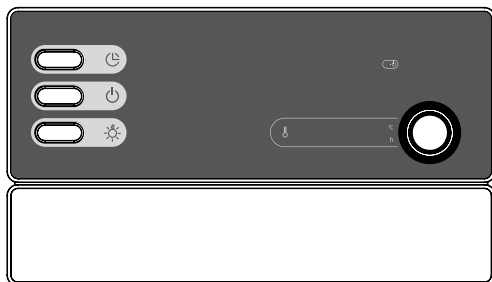
# Comando della sauna

## PRO B2 / PRO B3

ISTRUZIONI D'USO E DI MONTAGGIO  
Italiano



PRO-B2 / 1-015-455



PRO-B3 / 1-015-457

IT

# Indice

<b>1. Informazioni sul presente manuale</b>	<b>5</b>
<b>2. Importanti indicazioni per la sicurezza personale</b>	<b>6</b>
2.1. Conformità d'uso	6
2.2. Indicazioni di sicurezza per l'installatore	7
2.3. Indicazioni di sicurezza per l'utilizzatore	8
<b>3. Descrizione del prodotto</b>	<b>9</b>
3.1. Dotazione	9
3.2. Accessori opzionali	9
3.3. Funzioni del prodotto	9
3.4. Modalità di funzionamento della sauna	10
3.5. Modalità di funzionamento con sensori	11
<b>4. Montaggio</b>	<b>13</b>
4.1. Montaggio del comando della sauna	13
4.2. Montaggio del sensore della stufa F1 con fusibile termico di protezione	15
4.3. Montaggio del sensore della panca F2 (opzionale)	16
4.4. Montaggio del sensore di temperatura e umidità FTS2 (opzionale, solo PRO B3)	16
<b>5. Collegamento elettrico</b>	<b>17</b>
5.1. Collegamento del cavo di alimentazione, del cavo della stufa e del cavo dell'evaporatore	18
5.2. Collegamento del cavo della luce	18
5.3. Collegamento del ventilatore (opzionale, solo PRO B3)	18
5.4. Collegamento dell'ampliamento della potenza (opzionale)	19
5.5. Collegamento del sensore della stufa F1	19
5.6. Collegamento del sensore della panca F2 (opzionale)	19
5.7. Collegamento del sensore di temperatura e umidità FTS2 (opzionale, solo PRO B3)	19
5.8. Collegamento del dispositivo di sicurezza per lo spegnimento automatico / sensore porta	20
5.9. Avvio remoto	20
5.10. Conclusione dell'installazione	20



<b>6. Esecuzione delle prove</b>	<b>21</b>
<b>7. Schema di collegamento</b>	<b>22</b>
<b>8. Messa in funzione</b>	<b>24</b>
8.1. Impostazione del selettore di funzioni	24
8.2. Impostazione della limitazione del tempo di riscaldamento	24
8.3. Attivazione/disattivazione dell'attivazione singola delle fasi	25
8.4. Abilitazione dell'avvio remoto	25
8.5. Attivazione e disattivazione del funzionamento a un sensore	25
8.6. Attivazione del funzionamento singolo evaporatore (solo PRO B3)	25
8.7. Indicazione della temperatura della stufa nel funzionamento a un sensore	26
8.8. Impostazioni nel menu per il personale tecnico	26
<b>9. Utilizzo</b>	<b>27</b>
9.1. Elementi di comando PRO B2	27
9.2. Elementi di comando PRO B3	28
9.3. Attivazione della luce	28
9.4. Accensione del comando della sauna	29
9.5. Avvio del funzionamento della sauna	29
9.6. Avvio del funzionamento combinato (solo PRO B3)	30
9.7. Attivazione Stand-by per telecomando	31
9.8. Impostazione della preselezione oraria	32
9.9. Annullamento della funzione preselezione oraria	33
9.10. Annullamento del programma di asciugatura successiva (solo PRO B3)	33
9.11. Disattivazione del funzionamento della sauna	33
9.12. Spegnimento del comando della sauna	33

<b>10.Pulizia e manutenzione</b>	<b>34</b>
10.1. Pulizia	34
10.2. Manutenzione	34
<b>11.Smaltimento</b>	<b>34</b>
<b>12.Risoluzione dei problemi</b>	<b>35</b>
12.1. Messaggi di errore	35
12.2. Indicazione di mancanza d'acqua (solo PRO B3)	36
12.3. Fusibili	36
<b>13.Specifiche tecniche</b>	<b>37</b>

# 1. Informazioni sul presente manuale

Leggere dettagliatamente le presenti istruzioni di montaggio e d'uso e conservarle in prossimità della sauna. Così facendo è possibile controllare in ogni momento le informazioni sulla sicurezza e sull'utilizzo.



Le presenti istruzioni di montaggio e d'uso si trovano anche nell'area di download della nostra pagina web all'indirizzo: [www.sentiotec.com/downloads](http://www.sentiotec.com/downloads).

## **Simboli nelle avvertenze**

Nelle presenti istruzioni di montaggio e d'uso, prima di ogni attività che genera un pericolo è applicata un'avvertenza. Osservare sempre queste avvertenze. Così facendo, si evitano danni a beni materiali e lesioni che, nel peggiore dei casi, possono essere addirittura mortali.

Nelle avvertenze vengono utilizzati pittogrammi che hanno i seguenti significati:



### **PERICOLO!**

L'inosservanza di questa avvertenza può causare lesioni gravi o addirittura mortali.



### **AVVERTENZA!**

L'inosservanza di questa avvertenza può causare lesioni gravi o addirittura mortali.



### **ATTENZIONE!**

L'inosservanza di questa avvertenza può causare lesioni lievi.

### **ATTENZIONE!**

Questo pittogramma avverte della possibilità di danni a beni materiali.

## **Altri simboli**



Questo simbolo indica consigli e indicazioni utili.

## 2. Importanti indicazioni per la sicurezza personale

Il comando della sauna PRO B2 / PRO B3 è costruito secondo le regole di sicurezza tecnica riconosciute. Tuttavia, durante l'utilizzo possono presentarsi pericoli. Osservare pertanto le seguenti indicazioni di sicurezza e le avvertenze speciali riportate nei singoli capitoli. Osservare anche le indicazioni di sicurezza degli apparecchi collegati.

### 2.1. Conformità d'uso

Il comando della sauna PRO B2 / PRO B3 serve esclusivamente per comandare e regolare le funzioni in base ai dati tecnici.

Il comando della sauna PRO B2 / PRO B3 può essere utilizzato esclusivamente per il comando e la regolazione di una stufa per sauna omologata secondo la prova di copertura della stufa ai sensi della direttiva EN 60335-2-53 paragrafo 19.101. Se la stufa non soddisfa questo requisito, devono essere prese le opportune misure di sicurezza (ad es.: Collegamento del dispositivo di sicurezza per lo spegnimento automatico / sensore porta, vedere **5.8 a pagina 20**).

Il comando della sauna PRO B2 / PRO B3 può essere impiegato esclusivamente per il comando e la regolazione di 3 circuiti termici con una potenza termica max di 3,5 kW per circuito. La potenza massima dell'evaporatore (solo per PRO B3) è di 3,5 kW.

Qualsiasi altro utilizzo è considerato improprio. Un utilizzo improprio può causare danni al prodotto e lesioni gravi o mortali.

## 2.2. Indicazioni di sicurezza per l'installatore

- Il montaggio deve essere eseguito solo da elettricisti o da persone con una qualifica simile.
- I lavori da effettuare sul comando della sauna devono essere eseguiti solo in assenza di tensione.
- Per l'installazione, predisporre sul posto un dispositivo di separazione su tutti i poli con disinnesto totale corrispondente alla categoria di sovratensione III.
- Montare il comando della sauna all'esterno della cabina, a un'altezza di ca. 1,70 m o conformemente alle indicazioni del produttore della cabina. La temperatura ambiente deve essere compresa fra -10 °C e +40 °C.
- Installare il sensore della stufa in modo che il suo funzionamento non venga condizionato dall'aria in ingresso.
- La linea di alimentazione della stufa deve avere una sezione pari ad almeno 2,5 mm<sup>2</sup> e deve essere resistente fino a una temperatura di 150 °C.
- Osservare anche le disposizioni locali valide sul luogo di installazione.
- Qualora si presentassero problemi non trattati in modo esaustivo nelle presenti istruzioni di montaggio, per la vostra sicurezza vi preghiamo di rivolgervi al vostro fornitore.

### 2.3. Indicazioni di sicurezza per l'utilizzatore

- Il comando della sauna non deve essere utilizzato da bambini di età inferiore agli 8 anni.
- Il comando della sauna può essere utilizzato da bambini sopra gli 8 anni di età, da persone con capacità fisiche, sensoriali o mentali limitate o prive della sufficiente esperienza e del know-how necessari nei seguenti casi:
  - se sono in presenza di persone responsabili per loro,
  - se è stato spiegato loro come utilizzare l'apparecchio in modo sicuro e sono chiari i pericoli che ne possono derivare.
- Ai bambini non è permesso giocare con il comando della sauna.
- I bambini al di sotto dei 14 anni possono pulire il comando della sauna solo in presenza di adulti.
- Se si è sotto l'effetto di alcol, medicinali o droghe, per motivi di salute evitare l'uso della sauna.
- Prima di accendere il comando della sauna, assicurarsi che sulla stufa per sauna non si trovino oggetti infiammabili.
- Prima di attivare la funzione dell'orario di preselezione o la modalità stand-by per l'avvio remoto, assicurarsi che sulla stufa non siano presenti oggetti infiammabili.
- Qualora si presentassero problemi non trattati in modo esaustivo nelle istruzioni per l'uso, per la vostra sicurezza, vi preghiamo di rivolgervi al vostro fornitore.

## 3. Descrizione del prodotto

### 3.1. Dotazione

- Comando della sauna (in base alla versione PRO B2 / PRO B3)
- Sensore della stufa con fusibile termico di protezione integrato
- Materiale di montaggio

### 3.2. Accessori opzionali

- Sensore della panca (1-009-231 / O-F2)
- Sensore di temperatura e di umidità (1-010-081 / O-FTS2)
- Sensore a membrana (1-014-445 / P-ISX-FF)
- Ampliamento della potenza (1-008-779 / O-S2-18, 1-009-280 / O-S2-30)
- Interruttore di disinserimento (SFE-xxxxx)
- Sensore porta Home (1-052-723 / SAB00103)
- MySentio Wifi (1-053-313 / S-WIFI01)
- MySentio Remote (1-053-314 / S-WIFI02)

### 3.3. Funzioni del prodotto

#### **PRO B2**

Il comando della sauna PRO B2 dispone delle seguenti funzioni:

- Regolazione di stufe per sauna fino a 10,5 kW in un intervallo di temperatura compreso fra 30 °C e 110 °C.
- Grazie all'ampliamento della potenza, il potere di rottura massimo può essere aumentato da 10,5 kW a 18/30 kW.
- Attivazione di una luce all'interno della cabina (fino a 100 W)
- Funzione di avvio remoto
- Sistema di monitoraggio della porta
- Funzione di preselezione oraria (fino a 24 ore)
- Limitazione automatica del tempo di riscaldamento  
Per motivi di sicurezza, il comando della sauna si disattiva automaticamente una volta superato il tempo di riscaldamento massimo. Il tempo di riscaldamento massimo può essere impostato a 6 h, 12 h, 18 h o 24 h.

- **Fusibile termico di protezione**  
Il fusibile termico di protezione è installato nell'alloggiamento del sensore della stufa. Se dopo che è stata raggiunta la temperatura desiderata, la stufa per sauna continua a riscaldare a causa di un guasto, il fusibile termico di protezione disattiva automaticamente la stufa quando vengono raggiunti i 139 °C.

### **PRO B3**

Funzioni disponibili come PRO B2, ma in via aggiuntiva:

- **Regolazione di stufe combinate** fino a una potenza termica di 10,5 kW e fino a una potenza dell'evaporatore di 3,5 kW in un intervallo di temperatura compreso fra 30 °C e 110 °C e in un intervallo di umidità compreso fra 5 e 100%.
- **Programma di asciugatura successiva**  
Dopo il funzionamento combinato viene avviato automaticamente il programma di asciugatura successiva per impedire la formazione di muffe nella cabina della sauna. In questo modo la cabina della sauna viene riscaldata a 80 °C a ventilatore attivato.  
La durata può essere selezionata da OFF a 60 minuti.

## **3.4. Modalità di funzionamento della sauna**

Il comando della sauna PRO B2 consente di far funzionare la sauna. Il comando della sauna PRO B3 consente due modalità di funzionamento: funzionamento sauna e funzionamento combinato.

### ***Funzionamento della sauna***

Durante il funzionamento della sauna è presente aria calda e secca. La temperatura nella cabina è elevata (80-100 °C). Il livello di umidità è basso e corrisponde al massimo al 10%.

### ***Funzionamento combinato (solo PRO B3)***

Nel funzionamento combinato oltre alla stufa per sauna è in funzione anche l'evaporatore. La temperatura nella cabina della sauna è inferiore (ca. 40 - 65 °C) rispetto a quella durante il funzionamento della sauna, mentre l'umidità relativa dell'aria è decisamente maggiore, con valori compresi fra il 35% e il 70%. Il valore nominale massimo impostabile per l'umidità dipende comunque dalla temperatura presente nella sauna. Maggiore è la temperatura della sauna, minore sarà il valore massimo impostabile per l'umidità (vedi curva caratteristica a pag. 11)



### 3.5. Modalità di funzionamento con sensori

Il comando della sauna può essere fatto funzionare con uno o due sensori. Come secondo sensore può essere utilizzato un sensore di temperatura (sensore della panca, F2) o un sensore di temperatura e umidità (FTS2, solo per PRO B3).

#### ***Funzionamento a un sensore (F1)***

Il funzionamento con un sensore deve essere attivato mediante il selettore di funzioni (vedi **8.5. Attivazione e disattivazione del funzionamento a un sensore a pagina 25**).

Nel funzionamento con un sensore, il comando della sauna viene fatto funzionare solo insieme al sensore della stufa con fusibile termico di protezione (F1). Questo sensore è incluso nella dotazione.

Nel funzionamento a un sensore, il comando della sauna di serie visualizza solamente la temperatura nominale. La temperatura effettiva non viene visualizzata. Se il comando della sauna, nel funzionamento con un sensore, deve visualizzare la temperatura sopra la stufa (sensore F1) come temperatura effettiva, attivare questa impostazione al momento della messa in funzione (vedi **8.7. Indicazione della temperatura della stufa nel funzionamento a un sensore a pagina 26**).

**solo PRO B3:** Il valore massimo impostabile per l'umidità è legato alla temperatura presente sopra la stufa e l'umidità viene regolata a tempo. Nel display del comando della sauna viene visualizzato solamente il valore nominale relativo all'umidità (umidità relativa dell'aria in valore percentuale). Nella modalità con umidità temporizzata, l'umidità effettiva presente nella cabina della sauna è legata alle dimensioni della cabina e alla potenza dell'evaporatore e può differire dal valore nominale impostato.

#### ***Funzionamento con due sensori con l'impiego del sensore della panca (F2)***

Il funzionamento a due sensori è attivato come impostazione predefinita.

Nel funzionamento a due sensori con il sensore della panca, sulla panca posteriore della sauna viene montato un secondo sensore della temperatura (sensore della panca). Il comando della sauna visualizza come temperatura effettiva la temperatura misurata dal sensore della panca.

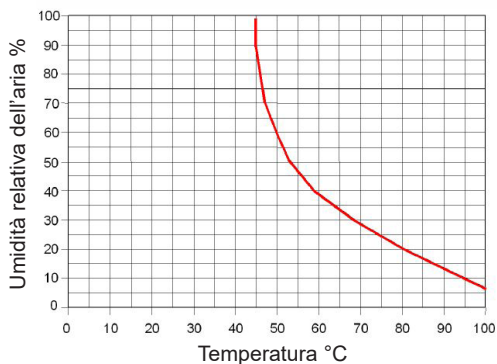
**solo PRO B3:** Nel funzionamento a due sensori con il sensore della panca, l'umidità viene regolata a tempo. Nel display del comando della sauna viene visualizzato solamente il valore nominale relativo all'umidità (umidità relativa dell'aria in valore percentuale). Nella modalità con umidità temporizzata, l'umidità effettiva presente nella cabina della sauna è legata alle dimensioni della cabina e alla potenza dell'evaporatore e può differire dal valore nominale impostato.

**solo PRO B3:****Funzionamento con due sensori con l'impiego del sensore di temperatura e di umidità (FTS2)**

Il funzionamento a due sensori è attivato come impostazione predefinita.

Se nel funzionamento con due sensori viene impiegato il sensore di temperatura e di umidità, il comando della sauna visualizza come temperatura effettiva la temperatura misurata da questo sensore.

Nel funzionamento con due sensori, con impiego del sensore di temperatura e umidità, l'evaporatore è regolato in base all'umidità misurata all'interno della cabina. Nel display del comando della sauna viene visualizzato solamente il valore effettivo relativo all'umidità presente nella cabina della sauna (umidità relativa dell'aria in valore percentuale).



EN 60335-2-53:2011; curva caratteristica temperatura / umidità relativa dell'aria per l'uso previsto.

## 4. Montaggio

### 4.1. Montaggio del comando della sauna

---

**ATTENZIONE!*****Danni all'apparecchio***

Il comando della sauna è protetto dagli spruzzi d'acqua, tuttavia il contatto diretto con l'acqua può danneggiare l'apparecchio.

- Montare il comando della sauna in un luogo asciutto, con un'umidità massima dell'aria non superiore al 95%.
- 

**ATTENZIONE!*****Fonti di interferenza compromettono la trasmissione dei segnali***

- Posare tutti i cavi dei sensori in modo che siano separati da altri cavi di alimentazione e dai cavi di comando.
  - Proteggere i cavi con isolamento singolo con un tubo (doppio isolamento).
- 

Durante il montaggio del comando della sauna osservare i seguenti punti:

- Montare il comando della sauna all'esterno della cabina o conformemente alle indicazioni del produttore della cabina.
- La temperatura ambiente deve essere compresa fra  $-10\text{ °C}$  e  $+40\text{ °C}$ .
- Tutti i sensori possono essere collegati solamente con i rispettivi cavi in dotazione, che sono resistenti fino a una temperatura di  $150\text{ °C}$ .



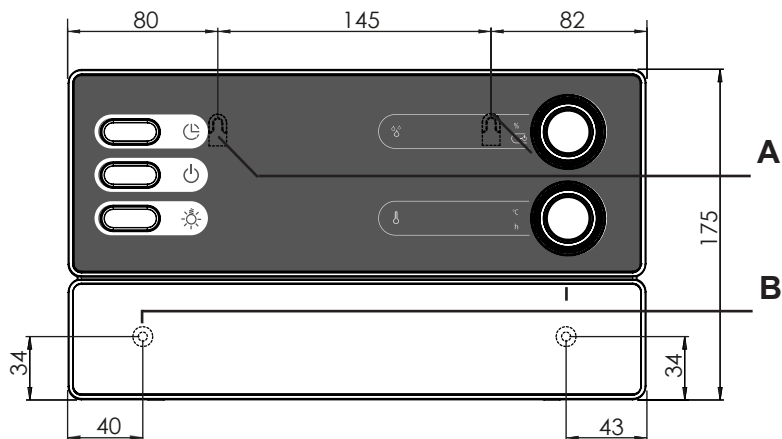
---

I cavi dei sensori possono essere prolungati in presenza delle seguenti condizioni:

- Impiego di un cavo isolato in silicone resistente fino a una temperatura di  $150\text{ °C}$ .
  - La sezione minima del cavo è di  $0,5\text{ mm}^2$ .
  - I cavi del sensore della stufa NON devono superare la lunghezza massima di 10 m.
-

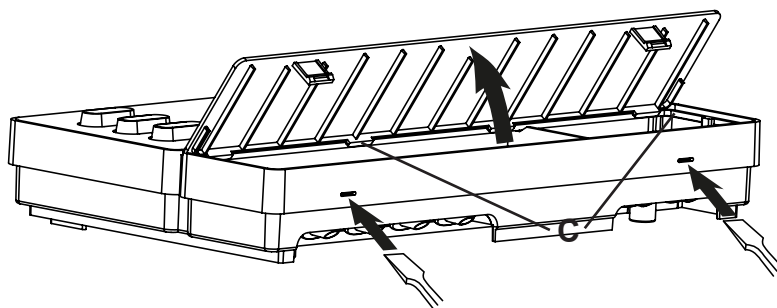
Per il montaggio del comando della sauna eseguire i seguenti passaggi:

1. Avvitare due viti con intaglio a croce (16 mm) sulla parete della sauna a un'altezza di ca. 1,70 m e lasciandole fuoriuscire per una distanza max di 7 mm. Entrambe le viti devono essere posizionate a una distanza di 145 mm l'una dall'altra (vedi **Fig.1**).



**Fig.1** Posizione del dispositivo di sospensione e dei fori di montaggio (misure in mm)

2. Utilizzando un cacciavite, premere leggermente le chiusure a scatto **C** e rimuovere il coperchio dell'alloggiamento (vedi **Fig.2**).
3. Con l'ausilio del dispositivo di sospensione **A**, agganciare il comando della sauna alle viti con intaglio a croce montate (vedi **Fig.1**).
4. Avvitare due viti con intaglio a croce (16 mm) nei fori di fissaggio inferiori **B** (vedi **Fig.1**).



**Fig.2** Rimozione del coperchio dell'alloggiamento

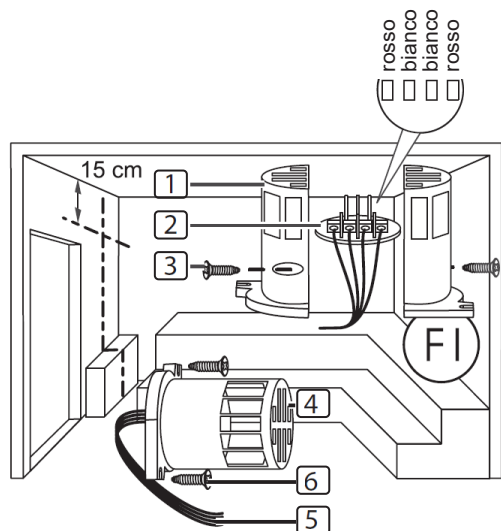
## 4.2. Montaggio del sensore della stufa F1 con fusibile termico di protezione

Durante il montaggio del sensore della stufa osservare i seguenti punti:

- Montare il sensore sul lato posteriore della stufa, posizionandolo sopra il punto centrale della stufa. Rispettare a riguardo una distanza di ca. 15 cm dal soffitto della cabina.
- Installare il sensore della stufa in modo che il suo funzionamento non venga condizionato dall'aria in ingresso.

Per il montaggio del sensore della stufa eseguire i seguenti passaggi (vedi **Fig.3**):

1. Posare i due cavi a 2 poli del sensore della stufa nella parete della cabina della sauna fino alla posizione di montaggio del sensore della stufa e fissare i cavi con le fascette serracavi.
2. Separare i 2 semigusci [1] del sensore della stufa.
3. Collegare i quattro pin del cavo del sensore della stufa [5] conformemente alla **Fig.3**.
4. Posizionare la piastra di collegamento [2] nei semigusci del sensore in senso trasversale (come indicato nella **Fig.3**).
5. Chiudere i semigusci, avvitarli con le 2 viti con intaglio a croce [3] (9 mm) e controllare se il sensore della stufa è perfettamente chiuso.
6. Montare il sensore della stufa sul lato posteriore della stufa utilizzando le due viti per legno in dotazione [6] (16 mm).



- [1] Semigusci del sensore della stufa
- [2] Piastra di collegamento
- [3] Viti con intaglio a croce (9 mm)
- [4] Sensore della stufa
- [5] Cavi del sensore della stufa
- [6] Viti per legno (16 mm)

**Fig.3** Montaggio del sensore della stufa

### **4.3. Montaggio del sensore della panca F2 (opzionale)**

Montare il sensore della panca sulla parete della cabina posizionandolo sopra la panca posteriore. Rispettare a riguardo una distanza di ca. 15 cm dal soffitto della cabina.

Per il montaggio del sensore della panca eseguire i seguenti passaggi:

1. Posare il cavo a 2 poli del sensore della panca nella parete della cabina della sauna fino alla posizione di montaggio dello stesso sensore e fissarne i cavi con le fascette serracavi.
2. Separare i 2 semigusci del sensore della panca.
3. Collegare i due raccordi del cavo del sensore della panca ai due morsetti centrali della piastra di collegamento.
4. Posizionare la piastra di collegamento nei semigusci del sensore della panca in senso trasversale.
5. Chiudere i semigusci e avvitarli con le 2 viti con intaglio a croce (9 mm).
6. Controllare se il sensore della panca è perfettamente chiuso.
7. Montare il sensore della panca sulla parete della cabina utilizzando le 2 viti per legno in dotazione (16 mm). In tal caso rispettare una distanza di 15 cm dal soffitto della cabina.

### **4.4. Montaggio del sensore di temperatura e umidità FTS2 (opzionale, solo PRO B3)**

Montare il sensore di temperatura e di umidità sulla parete della cabina posizionandolo sopra la panca posteriore, rispettando una distanza di ca. 15 cm dal soffitto della cabina.

Per il montaggio del sensore di temperatura e di umidità eseguire i seguenti passaggi:

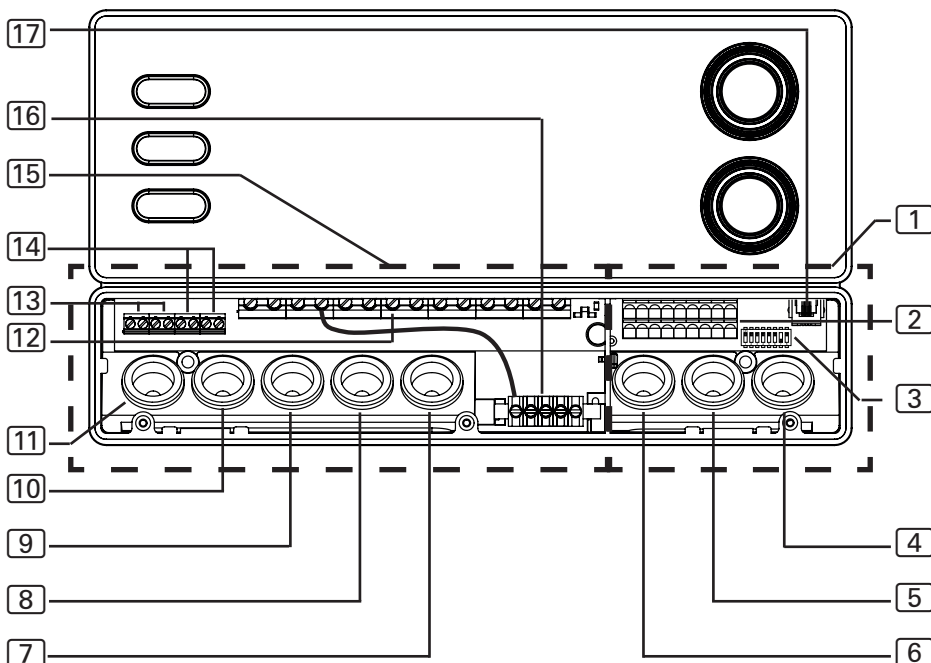
1. Posare il cavo a 5 poli del sensore nella parete della cabina della sauna fino alla posizione di montaggio del sensore di temperatura e umidità e fissare i rispettivi cavi con le fascette serracavi.
2. Montare il sensore di temperatura e umidità sulla parete della cabina utilizzando le due viti per legno in dotazione (16 mm). In tal caso rispettare una distanza di 15 cm dal soffitto della cabina.

## 5. Collegamento elettrico

### ATTENZIONE!

#### *Danni all'apparecchio*

- Il comando della sauna può essere impiegato esclusivamente per il comando e la regolazione di 3 circuiti termici con una potenza termica max di 3,5 kW per ogni circuito. La potenza massima dell'evaporatore (solo PRO B3) è di 3,5 kW.



- |   |   |
|---|---|
| 1 Zona di collegamento per la bassa tensione  | 9 Passacavo per cavo di alimentazione   |
| 2 Morsettiera per dispositivo di sicurezza per lo spegnimento automatico, avvio remoto e cavi dei sensori | 10 Passacavo per l'ampliamento della potenza                                  |
| 3 Selettore di funzioni   | 11 Passacavo per luce e ventilatore   |
| 4 Passacavo per i sensori F2 e FTS2   | 12 Morsettiera per il cavo della stufa, dell'evaporatore e dell'alimentazione |
| 5 Passacavo per il sensore F1   | 13 Morsettiera per luce e ventilatore   |
| 6 Passacavo per dispositivo di sicurezza per lo spegnimento automatico e avvio remoto                     | 14 Morsettiera per l'ampliamento della potenza                                |
| 7 Passacavo per l'uscita supplementare  | 15 Zona di collegamento per l'alimentazione a 230 V / 400 V                   |
| 8 Passacavo per il cavo della stufa   | 16 Barra di messa a terra   |
|   | 17 Boccia RJ45 per RS485 e MySentio WiFi                                      |

Durante il collegamento elettrico del comando della sauna osservare i seguenti punti:

- Il montaggio deve essere eseguito solo da elettricisti o da persone con una qualifica simile.



Prestare attenzione che in caso di richiesta delle prestazioni di garanzia è necessario presentare una copia della fattura rilasciata dalla ditta di elettricisti.

- I lavori da effettuare sul comando della sauna devono essere eseguiti solo in assenza di tensione.
- L'alimentazione elettrica deve essere garantita mediante un collegamento fisso.
- Per l'installazione, predisporre sul posto un dispositivo di separazione su tutti i poli con disinnesco totale corrispondente alla categoria di sovratensione III.
- Osservare lo schema di collegamento **Fig.4** a pagina **22** o **Fig.5** a pagina **23**.

### 5.1. Collegamento del cavo di alimentazione, del cavo della stufa e del cavo dell'evaporatore

1. Far passare il cavo di alimentazione, il cavo della stufa e il cavo dell'evaporatore (solo PRO B3) attraverso i passacavi [9], [8], [7] nella zona di collegamento per 230 V / 400 V [15].
2. Collegare i cavi di alimentazione alla morsettiera [12] secondo lo schema di collegamento. Osservare in tal caso le istruzioni per l'uso dei rispettivi apparecchi.
3. Se l'evaporatore non dispone di una funzione di spegnimento automatico in mancanza d'acqua, eseguire anche il seguente passaggio:
  - Utilizzando il ponticello in dotazione, collegare il morsetto "V1" al morsetto "Wm".

### 5.2. Collegamento del cavo della luce

1. Far passare il cavo della luce attraverso il passacavo [11] e inserirlo nella zona di collegamento per la tensione a 230 V / 400 V [15].
2. Collegare il cavo della luce alla morsettiera [13] secondo lo schema di collegamento. Osservare in tal caso le istruzioni per l'uso del rispettivo apparecchio.

### 5.3. Collegamento del ventilatore (opzionale, solo PRO B3)

1. Far passare il cavo del ventilatore attraverso il passacavo [11] e inserirlo nella zona di collegamento per la tensione a 230 V / 400 V [15].
2. Collegare il cavo del ventilatore alla morsettiera [13] secondo lo schema di collegamento. Osservare in tal caso le istruzioni per l'uso del rispettivo apparecchio.



#### 5.4. Collegamento dell'ampliamento della potenza (opzionale)

1. Far passare il cavo dell'ampliamento della potenza attraverso il passacavo **10** e inserirlo nella zona di collegamento per la tensione a 230 V / 400 V **15**.
2. Collegare il cavo dell'ampliamento della potenza alla morsettiera **14** secondo lo schema di collegamento. Utilizzare in tal caso il morsetto "**ST1**" per il circuito di sicurezza e il morsetto "**ST2**" per il circuito di comando. Osservare le istruzioni per l'uso del rispettivo apparecchio.

#### 5.5. Collegamento del sensore della stufa F1

1. Far passare i cavi del sensore della stufa attraverso il passacavo **5** e inserirli nella zona di collegamento per la bassa tensione **1**.
2. Collegare i cavi rossi del sensore della stufa ai morsetti con la dicitura "**STB**" sulla morsettiera **2**.
3. Collegare i cavi bianchi del sensore della stufa ai morsetti con la dicitura "**F1**" sulla morsettiera **2**.

#### 5.6. Collegamento del sensore della panca F2 (opzionale)

1. Far passare i cavi del sensore della panca attraverso il passacavo **4** e inserirli nella zona di collegamento per la bassa tensione **1**.
2. Collegare i cavi del sensore della panca ai morsetti con la dicitura "**F2**" sulla morsettiera **2**.

#### 5.7. Collegamento del sensore di temperatura e umidità FTS2 (opzionale, solo PRO B3)

1. Far passare i cavi del sensore attraverso il passacavo **4** e inserirli nella zona di collegamento per la bassa tensione **1**.
2. Collegare i cavi del sensore di temperatura ai morsetti con la dicitura "**F2**" sulla morsettiera **2**.
  - a. il cavo nero al morsetto destro.
  - b. il cavo marrone al morsetto sinistro.
3. Collegare i cavi del sensore di umidità ai morsetti con la dicitura "**+ S -**" sulla morsettiera **2**.
  - c. il cavo verde al morsetto "+".
  - d. il cavo arancione al morsetto "S".
  - e. il cavo rosso al morsetto "-".

## 5.8. Collegamento del dispositivo di sicurezza per lo spegnimento automatico / sensore porta

I comandi della sauna dotati di telecomando possono essere utilizzati esclusivamente per il comando e la regolazione di una stufa per sauna omologata secondo la prova di copertura della stufa ai sensi della direttiva EN 60335-2-53 paragrafo 19.101. In alternativa, può essere installato un dispositivo di disinserimento di sicurezza (ad es. interruttore di disinserimento) / sensore porta corrispondente, che disattiva la stufa per sauna se su quest'ultima vengono appoggiati oggetti (ad es. un asciugamano) o se viene aperta la porta della sauna.

Per il montaggio del dispositivo di sicurezza per lo spegnimento automatico eseguire i seguenti passaggi:

1. Montare il dispositivo di sicurezza per lo spegnimento automatico conformemente alle istruzioni per l'uso dell'apparecchio.
2. Far passare i cavi del dispositivo di disinserimento di sicurezza attraverso il passacavo **[6]** e inserirli nella zona di collegamento per la bassa tensione **[1]**.
3. Collegare i cavi ai morsetti con la dicitura **"OSG"** sulla morsettiera **[2]**.



Se non viene montato il dispositivo di disinserimento di sicurezza, nei morsetti deve essere montato un ponticello con la scritta **"OSG"**.

## 5.9. Avvio remoto

Il collegamento avviene attraverso i morsetti **"S"**, **"B"** e **"C"**. **"S"** indica il funzionamento della sauna e **"C"** il funzionamento dell'evaporatore. **"B"** indica un'uscita +24 V DC. Questa deve essere attivata sul morsetto relativo alla modalità di funzionamento desiderata mediante un interruttore o un attuatore.

## 5.10. Conclusione dell'installazione

1. Collegare il conduttore di terra del cavo di alimentazione e di tutti gli apparecchi alla barra di messa a terra **[16]**.
2. Applicare il coperchio dell'alloggiamento sul bordo superiore della scatola di connessione.
3. Premere leggermente verso l'interno le chiusure a scatto e inclinare verso il basso il coperchio dell'alloggiamento finché non si sente uno scatto.

## 6. Esecuzione delle prove

Le seguenti prove devono essere eseguite da un elettricista autorizzato.



### **AVVERTENZA!**

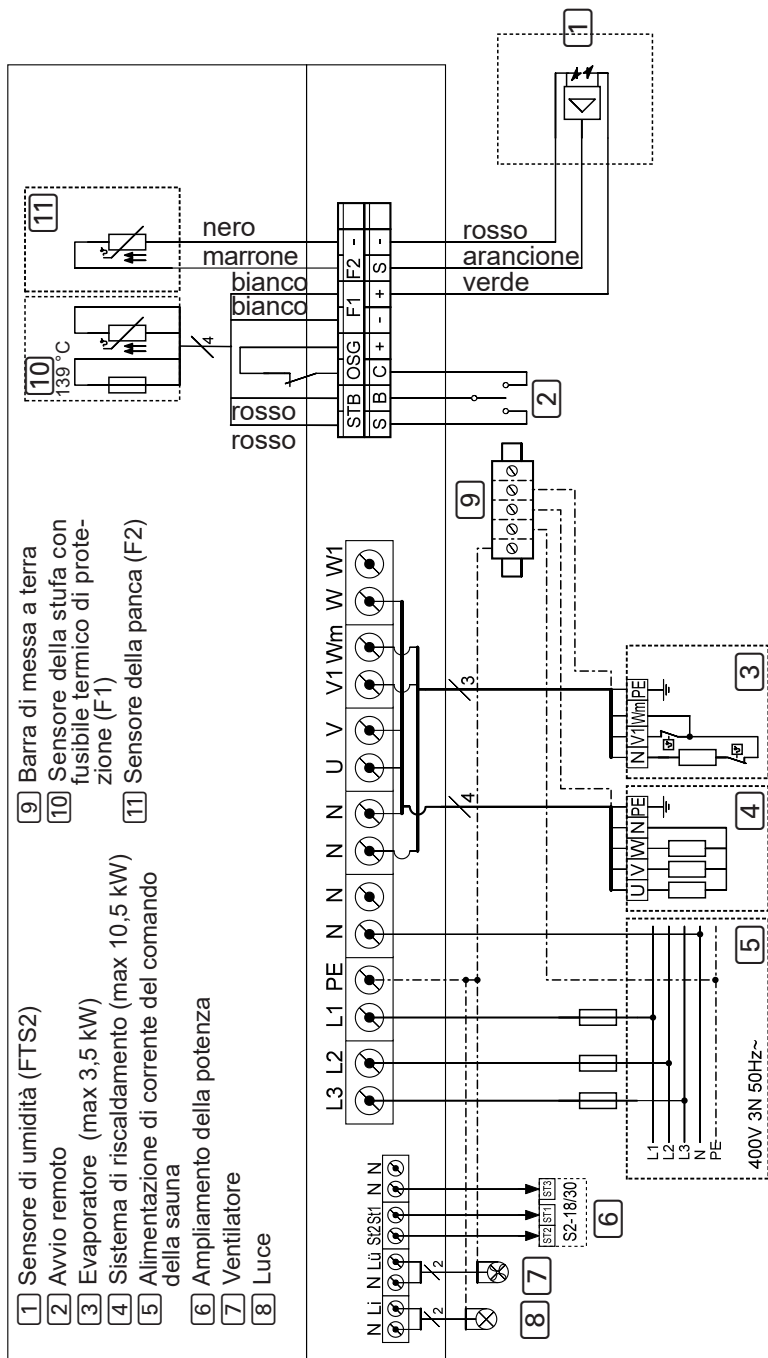
***Le seguenti prove vengono eseguite con l'alimentazione elettrica inserita. Sussiste pericolo di scossa elettrica!***

- NON toccare MAI le parti sotto tensione.

1. Controllare il contatto dei cavi di messa a terra sul morsetto di terra.
2. Controllare il fusibile termico di protezione del sensore della stufa F1.
  - a. Accendere il comando della sauna.
  - b. Aprire il sensore della stufa e scollegare uno dei due cavi rossi del sensore.
    - ▶ Nella parte superiore del display appare "Err", in quella inferiore "02" e il comando spegne la stufa.
  - c. Spegnerne il comando della sauna.
  - d. Ricollegare il cavo rosso del sensore della stufa.
  - e. Scollegare ora uno dei cavi bianchi del sensore della stufa.
  - f. Accendere il comando della sauna.
    - ▶ Nella parte superiore del display appare "Err", in quella inferiore "04F1" e il comando spegne la stufa.
  - g. Spegnerne il comando della sauna.
  - h. Ricollegare il cavo bianco del sensore della stufa.
3. Controllare l'interconnessione delle fasi L1, L2, L3 su U, V, W per il funzionamento della sauna.
4. Controllare la potenza termica massima ammessa sul comando della sauna pari a 3,5 kW per ogni fase.
5. Solo PRO B3: Controllare l'interconnessione delle fasi L1, L2, L3 su U, V1, W per il funzionamento dell'evaporatore.
6. In presenza di un ampliamento della potenza opzionale:
  - a. Controllare i cavi di comando ST1, ST2 e ST3.
  - b. Controllare la potenza termica massima ammessa sull'ampliamento della potenza S2-18 pari a 3 kW per ogni fase.
  - c. Controllare la potenza termica massima ammessa sull'ampliamento della potenza S2-30 pari a 7 kW per ogni fase.



Fig.5 Schema di collegamento PRO B3



## 8. Messa in funzione

### 8.1. Impostazione del selettore di funzioni

Mediante il selettore di funzioni posizionato nella zona di collegamento per la bassa tensione è possibile attivare diverse funzioni del prodotto. La figura a destra mostra l'impostazione standard dei selettori di funzioni.

Osservare che dopo le modifiche il comando deve essere disattivato per 10 sec., per salvare le impostazioni.

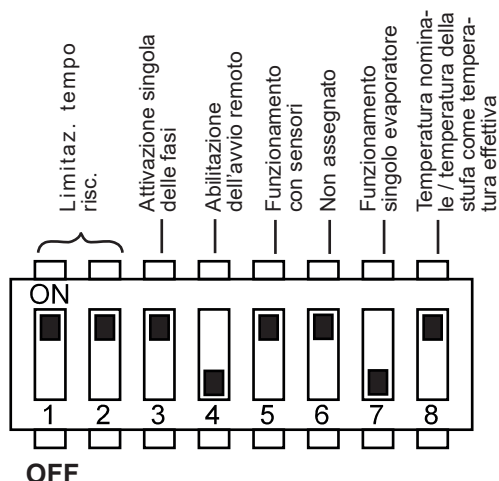


Fig.6 Selettore di funzioni - Impostazione standard

### 8.2. Impostazione della limitazione del tempo di riscaldamento

Il tempo di riscaldamento massimo è preimpostato su 6 h. Per motivi di sicurezza, il comando della sauna si disattiva automaticamente una volta superato il tempo di riscaldamento massimo.

Mediante i selettori di funzioni nella zona di collegamento per la bassa tensione è possibile impostare una durata di riscaldamento massima su 12 h, 18 h o 24 h. Le posizioni necessarie per i selettori di funzioni si trovano nella tabella a destra.

Selettore di funzioni	1	2
6 h	ON	ON
12 h	OFF	ON
18 h	ON	OFF
24 h	OFF	OFF



La direttiva EN 60335-2-53 stabilisce per le saune per uso privato una limitazione del tempo di riscaldamento massima di 6 h. Per saune in hotel, caseggiati e posti simili, è ammessa una limitazione del tempo di riscaldamento massima di 12 h. L'estensione della limitazione del tempo di riscaldamento a 18 o 24 h è permessa solo in saune pubbliche.

### 8.3. Attivazione/disattivazione dell'attivazione singola delle fasi

La funzione di attivazione singola delle fasi viene attivata/disattivata mediante il selettore di funzioni **3**.

- Il selettore di funzioni **3** è preimpostato di serie sulla posizione ON. L'attivazione singola delle fasi è così attivata.
- Per disattivare l'attivazione singola delle fasi, portare il selettore di funzioni **3** in posizione OFF.

### 8.4. Abilitazione dell'avvio remoto

Con il selettore di funzioni **4** è possibile selezionare la funzione dell'uscita di avvio remoto (osservare la EN60335-2-53).

- Il selettore di funzioni **4** è preimpostato sulla posizione OFF. L'avvio remoto viene attivato tramite "Stand-by per comando remoto".
- Se si desidera abilitare l'uscita di avvio remoto per diversi dispositivi (ad es. gettoniera, sistema di avvio remoto, monitoraggio porta), impostare il selettore di funzioni **4** in posizione ON.

### 8.5. Attivazione e disattivazione del funzionamento a un sensore

Nel funzionamento con un sensore, il comando della sauna viene fatto funzionare solo assieme al sensore della stufa con fusibile termico di protezione (sensore F1). Il funzionamento a un sensore deve essere attivato mediante il selettore di funzioni **5**.

- Il selettore di funzioni **5** è preimpostato di serie sulla posizione ON. Il funzionamento con due sensori è così attivato.
- Per attivare il funzionamento con un sensore, portare il selettore di funzioni **5** in posizione OFF.

### 8.6. Attivazione del funzionamento singolo evaporatore (solo PRO B3)

Di fabbrica, l'evaporatore può essere messo in funzione solo insieme al sistema di riscaldamento. Per utilizzare l'evaporatore separatamente, senza sistema di riscaldamento, deve essere attivato il funzionamento singolo evaporatore tramite il selettore di funzioni **7**.

- Il selettore di funzioni **7** è preimpostato sulla posizione OFF. Il funzionamento singolo evaporatore è così disattivato.
- Per attivare il funzionamento singolo evaporatore, portare il selettore di funzioni **7** in posizione ON.

## 8.7. Indicazione della temperatura della stufa nel funzionamento a un sensore

Nel funzionamento a un sensore, il comando della sauna di serie visualizza solamente la temperatura nominale. La temperatura effettiva non viene visualizzata. Se il comando della sauna nel funzionamento a un sensore deve indicare la temperatura attraverso la stufa (sensore F1) come temperatura effettiva, deve essere attivato con il selettore di funzioni **8**.

- Il selettore di funzioni **8** è preimpostato di serie sulla posizione ON. In questo modo viene indicata solo la temperatura nominale.



Considerare che la temperatura prodotta dalla stufa è sempre superiore alla temperatura nell'area delle panche. Con la temperatura della stufa come temperatura effettiva, la temperatura che compare sul comando sauna, sarà superiore a quella che misura il termometro della cabina.

- Se la temperatura deve essere indicata mediante la stufa come temperatura effettiva, portare il selettore di funzioni **8** in posizione OFF.

## 8.8. Impostazioni nel menu per il personale tecnico

### *Come richiamare il menu per il personale tecnico*

Nel menu per il personale tecnico è possibile apportare ulteriori impostazioni. Per accendere al menu per il personale tecnico seguire i seguenti passaggi:

1. Il comando della sauna deve essere disattivato
2. Premere contemporaneamente l'interruttore ON/OFF [6], il tasto dell'orario di preselezione [7] e il selettore di temperatura [3].
  - ▶ nel display superiore [1] compare "SEtt"
3. Premere il selettore di temperatura [3] e andare all'impostazione desiderata

### *Impostazione del tempo di funzionamento del programma di asciugatura successiva (solo PRO B3)*

Il tempo di funzionamento massimo del programma di asciugatura successiva è di 60 min. come impostazione predefinita. Se si desidera modificare questa impostazione, seguire i passi seguenti:

1. Richiamare il menu per il personale tecnico
  - ▶ nel display superiore [1] compare "dry"
  - ▶ Nel display inferiore [4] compare "t30"
2. Con il selettore di temperatura [3], selezionare il valore desiderato: (selezione 0 - 60; 0 = programma di asciugatura successiva disattivato; 60 = tempo di funzionamento massimo in minuti)



### **Attivare il collegamento del dispositivo di sicurezza per lo spegnimento automatico / sensore porta**

1. Richiamare il menu per il personale tecnico (vedi **26**)
  - ▶ nel display superiore **1** compare "SdO"
  - ▶ Nel display inferiore **4** compare "SAFE" (=impostazione standard)
2. Con il selettore di temperatura **3**, selezionare il valore desiderato:
  - "SAF" significa SAFE - il dispositivo di sicurezza per lo spegnimento automatico è attivato (standard)
  - "dor" significa DOOR - il sensore porta è attivato

### **Salvataggio delle impostazioni e uscita dal menu per il personale tecnico**

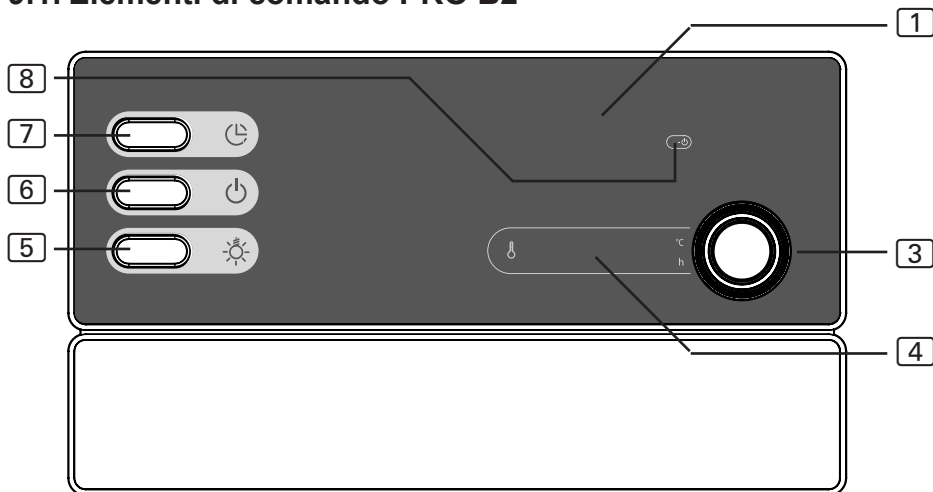
Premere per ca. 3 secondi il selettore di temperatura **3**.

### **Richiesta versione software**

1. Per attivare il comando della sauna, premere l'interruttore ON/OFF **6**
2. Premere contemporaneamente per 5 secondi il tasto dell'orario di preselezione **7** e il selettore di temperatura **3**
  - ▶ nel display superiore **1** compare la versione software "5.00.5"

## **9. Utilizzo**

### **9.1. Elementi di comando PRO B2**



**1** Indicatore supplementare

**2** -

**3** Selettore di temperatura

**4** Indicazione della temperatura

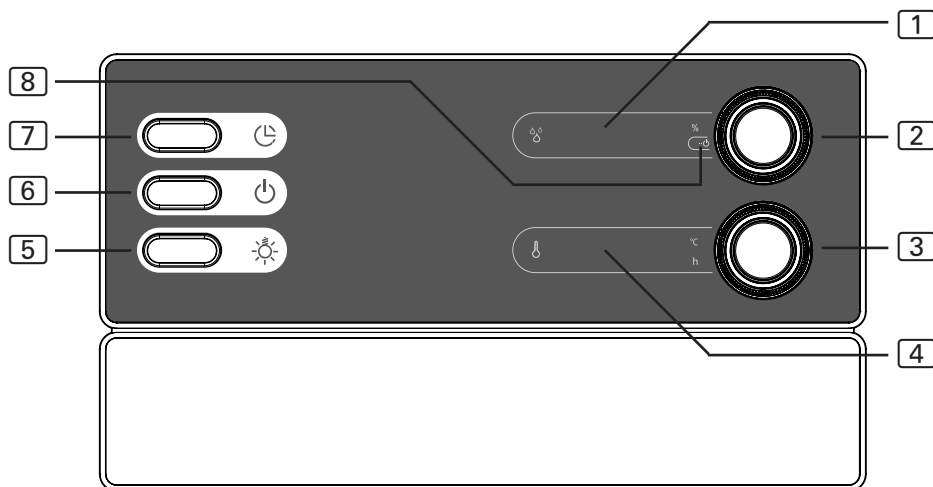
**5** Interruttore della luce

**6** Interruttore ON/OFF

**7** Tasto dell'orario di preselezione

**8** Visualizzazione avvio remoto

## 9.2. Elementi di comando PRO B3



1 Indicazione dell'umidità

2 Selettore di umidità

3 Selettore di temperatura

4 Indicazione della temperatura

5 Interruttore della luce

6 Interruttore ON/OFF

7 Tasto dell'orario di preselezione

8 Visualizzazione avvio remoto

## 9.3. Attivazione della luce

È possibile accendere e spegnere la luce nella cabina della sauna indipendentemente dall'interruttore ON/OFF [6].

- Per accendere e spegnere la luce, premere l'interruttore della luce [5].

## 9.4. Accensione del comando della sauna



### AVVERTENZA!

#### *Pericolo di incendio*

Gli oggetti infiammabili appoggiati sulla stufa per sauna calda possono infiammarsi e causare incendi.

- Non appoggiare MAI oggetti infiammabili sulla stufa.
- Prima di accendere il comando della sauna, assicurarsi che sulla stufa per sauna non si trovino oggetti infiammabili.

- Per attivare il comando della sauna, premere l'interruttore ON/OFF **[6]**.
  - ▶ Nell'indicazione della temperatura **[4]** compare "0" per alcuni secondi. Poi nella cabina viene visualizzata la temperatura attuale. Nel funzionamento a un sensore, viene visualizzata l'ultima temperatura nominale impostata.
  - ▶ Solo PRO B3: Nell'indicazione dell'umidità **[1]** compare "0" per alcuni secondi. Poi nella cabina viene visualizzato il valore della l'umidità attuale. Se non è stato installato nessun sensore di temperatura e di umidità, verrà indicato il valore nominale dell'umidità.

## 9.5. Avvio del funzionamento della sauna

1. Impostare la temperatura desiderata con il selettore di temperatura **[3]**.
  - ▶ Il selettore di temperatura **[3]** lampeggia e la temperatura nominale impostata viene visualizzata nell'indicazione della temperatura **[4]**.
2. Premere sull'interruttore di temperatura **[3]**.
  - ▶ La stufa viene accesa e inizia a riscaldare.
  - ▶ Nell'indicazione della temperatura **[4]** viene indicata la temperatura attuale presente nella cabina. Nel funzionamento a un sensore, viene visualizzata la temperatura nominale.



Durante il funzionamento è possibile modificare in ogni momento la temperatura nominale impostata.

- Per aumentare la temperatura, ruotare il selettore di temperatura **[3]** verso destra.
- Per ridurre la temperatura, ruotare il selettore di temperatura **[3]** verso sinistra.
- ▶ Il selettore di temperatura **[3]** lampeggia e viene adottata la nuova temperatura impostata.

## 9.6. Avvio del funzionamento combinato (solo PRO B3)

1. Impostare la temperatura desiderata con il selettore di temperatura **3**.
  - ▶ Il selettore di temperatura **3** lampeggia e la temperatura nominale impostata viene visualizzata nell'indicazione della temperatura **4**.
2. Premere sull'interruttore di temperatura **3**.
  - ▶ La stufa viene accesa e inizia a riscaldare.
  - ▶ Nell'indicazione della temperatura **4** viene indicata la temperatura attuale presente nella cabina. Nel funzionamento a un sensore, viene visualizzata la temperatura nominale.
3. Con il selettore di umidità **2**, selezionare il livello di umidità desiderato.
  - ▶ Il selettore di umidità **2** lampeggia e il valore nominale dell'umidità impostato viene visualizzato nell'indicazione dell'umidità **1**.
4. Premere sul selettore di umidità **2**.
  - ▶ L'evaporatore viene attivato.
  - ▶ Nell'indicazione dell'umidità **1** viene indicata l'umidità attuale presente nella cabina. Se non è stato installato nessun sensore di temperatura e di umidità, viene indicato il valore nominale dell'umidità.



Se il comando della sauna viene utilizzato senza sensore di temperatura e di umidità (FTS2), si attiva il funzionamento a ciclo. Se la temperatura della cabina scende sotto i 30 °C, l'evaporatore viene attivato per 10 minuti senza alcuna interruzione. Ciò fa sì che l'acqua nel serbatoio raggiunga una temperatura base. Dopodiché inizia il funzionamento a ciclo.



L'evaporatore può essere avviato soltanto quando è accesa la stufa per sauna. Il valore nominale massimo impostabile per l'umidità dipende comunque dalla temperatura presente nella sauna. Maggiore è la temperatura della sauna, minore sarà il valore massimo impostabile per l'umidità, vedi **curva caratteristica a 12**.

**Eccezione:** Il funzionamento singolo evaporatore è attivato (vedi ). Ora è possibile mettere in funzione l'evaporatore anche senza la stufa, tuttavia l'umidità massima dipende dalla temperatura attuale della cabina.

## 9.7. Attivazione Stand-by per telecontrollo

Secondo la norma EN 60335-2-53, i comandi della sauna con funzione di avvio remoto devono essere impostati manualmente sulla modalità di funzionamento "Stand-by per telecontrollo".



Questa attivazione deve essere fatta dopo ogni operazione di avvio remoto e arresto remoto.

### ***In caso di dispositivo di sicurezza per lo spegnimento automatico attivato (Standard)***

Procedere nel seguente modo:

1. Premere per tre secondi (longpress) sul selettore di temperatura **[3]**.
  - ▶ L'indicazione di avvio remoto **[8]** comincia a lampeggiare.
  - ▶ Il comando della sauna è ora pronto per essere avviato e arrestato tramite un segnale remoto.
  - ▶ Una volta avvenuto l'avvio o l'arresto remoto, si spegne l'indicazione di avvio remoto e deve essere effettuata nuovamente l'attivazione della modalità di funzionamento.

### ***In caso di sensore porta attivato***

1. Premere per tre secondi (longpress) sul selettore di temperatura **[3]**.
  - ▶ Nel display inferiore viene visualizzato un conto alla rovescia di 30 secondi. In questo tempo la porta può essere aperta / chiusa un qualsiasi numero di volte. Allo scadere del conto alla rovescia, le porte devono essere chiuse!
  - ▶ L'indicazione di avvio remoto **[8]** lampeggia
  - ▶ Il comando della sauna è ora pronto per essere avviato e arrestato tramite un segnale di avvio remoto = modalità "stand-by per azionamento remoto"

*La porta si apre, sul display compare l'avvertenza "door"*

- nella modalità stand-by per azionamento remoto:  
Per proseguire la modalità, la porta deve essere chiusa e occorre confermare l'avvertenza tramite longpress sulla manopola inferiore.
  - ▶ Sul display viene visualizzato di nuovo il conto alla rovescia (30 sec.)
- nel funzionamento in corso o con uscita di avvio remoto abilitata (per gettoniera o sistema sensore porta):  
Il riconoscimento avviene automaticamente se la porta viene chiusa.

## 9.8. Impostazione della preselezione oraria



### AVVERTENZA!

#### **Pericolo di incendio**

Gli oggetti infiammabili che poggiano sulla stufa calda, infiammandosi causano incendi.

- Non appoggiare MAI oggetti infiammabili sulla stufa.
- Prima di attivare la funzione di preselezione oraria, accertarsi che **NESSUN** oggetto infiammabile si trovi sulla stufa.

È possibile impostare la preselezione oraria ogni 15 minuti. Il tempo massimo della preselezione oraria è 24 ore. La preselezione oraria viene visualizzata in ore e minuti, ad es. 8 ore e 15 minuti vengono visualizzati come 8.15.

1. Avviare il funzionamento della sauna o il funzionamento combinato (vedi punti **9.5** e **9.6**)
2. Premere il tasto dell'orario di preselezione **[7]**.
  - ▶ Il selettore della temperatura **[3]** lampeggia e nell'indicazione della temperatura **[4]** appare l'ultimo orario di preselezione impostato.
3. Per aumentare la preselezione oraria a passi di 15 minuti, premere sul tasto della preselezione oraria **[7]**.
4. Se l'orario della preselezione desiderato è stato raggiunto, attendere alcuni secondi.
  - ▶ Il comando della sauna commuta nella modalità stand-by e il timer parte.
  - ▶ Nella visualizzazione della temperatura **[4]** viene indicato il tempo di preselezione rimanente e il selettore di temperatura **[3]** lampeggia.
  - ▶ Una volta superato il tempo della preselezione oraria, il funzionamento selezionato viene avviato.



L'ultimo tempo di preselezione impostato viene salvato, questo consente di richiamare l'ultimo valore premendo un solo tasto. Per riportare a 00:00 il tempo di preselezione, premere per tre secondi (longpress) sul tasto di preselezione

## 9.9. Annullamento della funzione preselezione oraria

- Per interrompere la funzione della preselezione oraria, premere per tre secondi (longpress) sul tasto della preselezione oraria **[7]**.
  - ▶ Il decorrere del tempo di preselezione viene interrotto.
  - ▶ Nell'indicazione della temperatura **[4]** viene indicata la temperatura attuale presente nella cabina. Nel funzionamento a un sensore, viene visualizzata la temperatura nominale.

## 9.10. Annullamento del programma di asciugatura successiva (solo PRO B3)

Dopo il funzionamento combinato viene avviato automaticamente il programma di asciugatura successiva. In questo modo la cabina della sauna viene riscaldata a 80 °C a ventilatore attivato. (Standard = 30 minuti, a seconda dell'impostazione nel menu per il personale tecnico). Nell'indicazione della temperatura **[4]** viene visualizzato il testo "dry".

- Per interrompere il programma di asciugatura successiva, premere per tre secondi (longpress) sul selettore di temperatura **[3]**.



Per impedire la formazione di muffe, si consiglia di NON interrompere il programma di asciugatura successiva.

## 9.11. Disattivazione del funzionamento della sauna

- Premere sull'interruttore di temperatura **[3]**.
  - ▶ La stufa della sauna viene spenta. Con PRO B3, dopo il funzionamento combinato (min. 3 minuti) viene avviato automaticamente il programma di asciugatura successiva.

IT

## 9.12. Spegnimento del comando della sauna

- Per spegnere il comando della sauna, premere l'interruttore ON/OFF **[6]**.
  - ▶ Cancellare l'indicazione dell'umidità **[1]** e l'indicazione della temperatura **[4]**.
  - ▶ Il comando della sauna è disattivato.

## 10. Pulizia e manutenzione

### 10.1. Pulizia

#### ATTENZIONE!

#### *Danni all'apparecchio*

Il comando della sauna è protetto dagli spruzzi d'acqua, tuttavia il contatto diretto con l'acqua può danneggiare l'apparecchio.

- NON immergere MAI l'apparecchio in acqua.
- NON versare MAI acqua sull'apparecchio.
- NON pulire MAI l'apparecchio con un panno troppo inumidito.

1. Immergere un panno per la pulizia in una soluzione di acqua tiepida saponata.
2. Strizzare bene il panno.
3. Pulire l'alloggiamento del comando della sauna con cautela.

### 10.2. Manutenzione

Il comando della sauna è esente da manutenzione.

## 11. Smaltimento



- Smaltire i materiali dell'imballaggio conformemente alle normative sullo smaltimento vigenti.
- I vecchi dispositivi contengono materiali riciclabili ma anche sostanze dannose. Non gettare mai un dispositivo usato insieme ai rifiuti non riciclabili, bensì smaltirlo in conformità alle norme vigenti a livello locale.



## 12. Risoluzione dei problemi

### 12.1. Messaggi di errore

Il comando della sauna è equipaggiato con un software di diagnosi che controlla gli stati del sistema durante l'accensione e il funzionamento. Non appena il software di diagnosi rileva un guasto, il comando della sauna spegne la stufa.

Gli errori vengono visualizzati attraverso un segnale acustico ricorrente e il lampeggio del selettore di funzioni [2] e del selettore di temperatura [3]. Inoltre nell'indicazione dell'umidità [1] viene visualizzato il testo "Err". Nell'indicazione della temperatura [4] viene visualizzato il numero del guasto.

Disattivare il comando della sauna con l'interruttore ON/OFF [6] ed eliminare il guasto prima di riattivare il comando della sauna.

La seguente tabella descrive i possibili guasti e la rispettiva causa. In caso di necessità, comunicare il codice di errore all'Assistenza Clienti.

<i>Errore</i>	<i>Descrizione</i>	<i>Causa / rimedio</i>
01	Disinserimento di sicurezza	Un oggetto è appoggiato sulla stufa per sauna. Rimuovere l'oggetto prima di mettere nuovamente in funzione la stufa.  Se non è montato il dispositivo di sicurezza per lo spegnimento automatico, consultare <b>5.8 a pagina 20</b> .
02	Limitatore termico di sicurezza	Sopra la stufa è stata superata la temperatura massima di 139 °C.
04F1	Errore sensore stufa	Sensore della stufa guasto, contatto difettoso o cortocircuito
06F2	Errore sensore panca	Sensore della panca guasto, contatto difettoso o cortocircuito
07	Errore sensore di umidità	Sensore di umidità guasto, contatto difettoso o cortocircuito
door	Aprire la porta della sauna	Il comando della sauna è collegato a un sensore porta. Chiudere la porta e controllare i collegamenti o le impostazioni.

## 12.2. Indicazione di mancanza d'acqua (solo PRO B3)

Il comando della sauna, nella modalità di funzionamento combinato, dispone di uno spegnimento automatico in caso di mancanza d'acqua, a condizione che la stufa combinata supporti questa funzione.

Se il serbatoio dell'acqua dell'evaporatore è vuoto, viene emesso un segnale acustico ripetitivo e viene visualizzato il testo "FILL" nell'indicazione dell'umidità **1**. Contemporaneamente l'evaporatore si spegne.

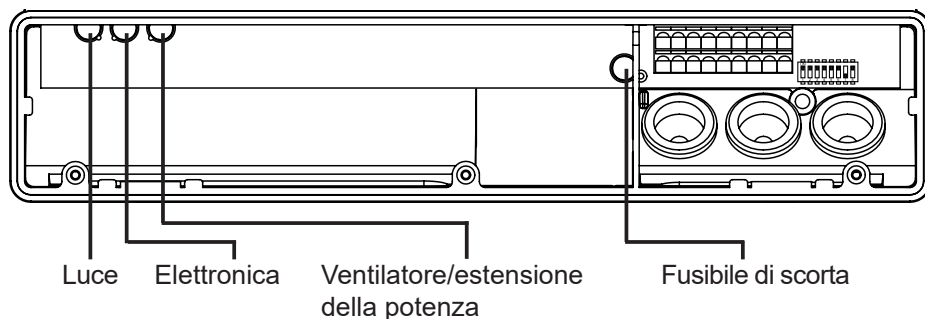
- Riempire con acqua il serbatoio dell'acqua dell'evaporatore.
  - ▶ Dopo un breve intervallo di tempo, il testo "FILL" si spegne e l'evaporatore inizia di nuovo a riscaldarsi.

## 12.3. Fusibili

Nella zona di collegamento del comando della sauna, si trovano i fusibili per luce, ventilatore/ampliamento della potenza ed elettronica e un fusibile di scorta.

Si tratta di microfusibili ritardati da 1A.

che possono essere ordinati con il numero articolo PRO-FUSE.



Per sostituire il fusibile, estrarre verticalmente l'inserito e inserire il nuovo fusibile.

## 13. Specifiche tecniche

### Condizioni ambientali

Temperatura di stoccaggio:	da -25 °C a +70 °C
Temperatura ambiente:	da -10 °C a +40 °C
Umidità dell'aria:	max 95%

### Comando della sauna

Dimensioni:	307 x 175 x 57 mm
Tensione di commutazione / trifase 3N:	400 V AC
Frequenza:	50 Hz
Potere di rottura / riscaldatore:	3 x 3,5 kW
Corrente di commutazione per fase / riscaldatore:	16 A
Potere di rottura / evaporatore (solo PRO B3):	3,5 kW
Corrente commutabile / evaporatore (solo PRO B3):	16 A
Tensione nominale:	230 V
Tipo di protezione (protezione antispruzzo):	IPX4
Allacciamento alla rete di alimentazione come collegamento fisso (allacciamento fisso)	

### Luce

Potere di rottura:	100 W
Fusibile:	1A T

### Ventilatore

Potere di rottura:	100 W
Fusibile:	1A T

### Intervalli di regolazione

Temperatura:	da 30 °C a 110 °C
Umidità:	da 0 % a 100 %

In questo caso il valore massimo impostabile per l'umidità dipende dalla temperatura presente nella sauna. Maggiore è la temperatura, minore sarà il valore massimo impostabile per l'umidità.

**Sicurezza termica**

---

Sensore della stufa con fusibile termico di protezione (temperatura di spegnimento 139 °C)

Possibilità di impostare il limite del tempo di riscaldamento automatico (6 h, 12 h, 18 h, 24 h)

Funzionamento a scelta a uno o due sensori

**Cavi di alimentazione**

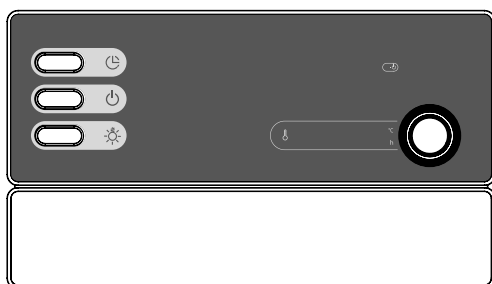
---

Cavo di alimentazione:	min 5x2,5 mm <sup>2</sup>
Cavo di alimentazione stufa (termostabile fino a 150 °C):	min 2,5 mm <sup>2</sup>
Cavi dei sensori (termostabili fino a 150 °C):	min 0,5 mm <sup>2</sup>
Cavo della luce:	min 1,5 mm <sup>2</sup>
Cavo del ventilatore:	min 1,5 mm <sup>2</sup>

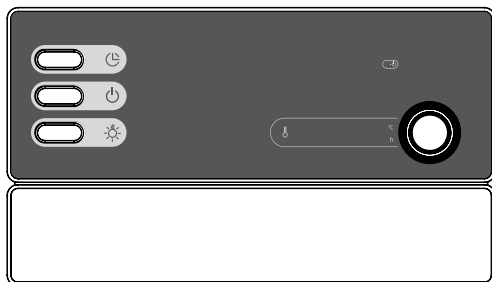
# Saunabesturing

## PRO B2 / PRO B3

MONTAGE- EN GEBRUIKSAANWIJZING  
Nederlands



**PRO-B2 / 1-015-455**



**PRO-B3 / 1-015-457**

NL

# Inhoudsopgave

<b>1. Over deze handleiding</b>	<b>5</b>
<b>2. Belangrijke aanwijzingen voor uw veiligheid</b>	<b>6</b>
2.1. Reglementair gebruik	6
2.2. Veiligheidsvoorschriften voor de monteur	7
2.3. Veiligheidsaanwijzingen voor de gebruiker	8
<b>3. Productbeschrijving</b>	<b>9</b>
3.1. Leveromvang	9
3.2. Optioneel toebehoren	9
3.3. Productfuncties	9
3.4. Saunabedrijfsmodi	10
3.5. Voelerbedrijfsmodi	11
<b>4. Montage</b>	<b>13</b>
4.1. Saunabesturing monteren	13
4.2. Kachelvoeler F1 met oververhittingsbeveiliging monteren	15
4.3. Bankvoeler F2 monteren (optioneel)	16
4.4. Vochtigheidstemperatuurvoeler FTS2 monteren (optioneel, alleen PRO B3)	16
<b>5. Elektrische aansluiting</b>	<b>17</b>
5.1. Voedingskabel, kachel en verdamper aansluiten	18
5.2. Licht aansluiten	18
5.3. Ventilator aansluiten (optioneel, alleen PRO B3)	18
5.4. Vermogensuitbreiding aansluiten (optioneel)	19
5.5. Kachelvoeler F1 aansluiten	19
5.6. Bankvoeler F2 aansluiten (optioneel)	19
5.7. Vochtigheidstemperatuurvoeler FTS2 aansluiten (optioneel, alleen PRO B3)	19
5.8. Veiligheidsuitschakeling / deursensor aansluiten	20
5.9. Starten op afstand	20
5.10. Installatie afronden	20

<b>6. Controles uitvoeren</b>	<b>21</b>
<b>7. Aansluitschema</b>	<b>22</b>
<b>8. Inbedrijfstelling</b>	<b>24</b>
8.1. Instelling van de functieselectieschakelaar	24
8.2. Verwarmingstijdbegrenzing instellen	24
8.3. Fasenroulatie activeren/deactiveren	25
8.4. Starten op afstand - vrijgave	25
8.5. Modus met een voeler activeren/deactiveren	25
8.6. Verdamer-singlemodus activeren (alleen PRO B3)	25
8.7. Kacheltemperatuur in modus met een voeler weergeven	26
8.8. Instellingen in het technicusmenu	26
<b>9. Bediening</b>	<b>27</b>
9.1. Bedieningselementen PRO B2	27
9.2. Bedieningselementen PRO B3	28
9.3. Licht inschakelen	28
9.4. Saunabesturing inschakelen	29
9.5. Saunamodus starten	29
9.6. Combimodus starten (alleen PRO B3)	30
9.7. Stand-by voor bediening op afstand activeren	31
9.8. Voorkeuzetijd instellen	32
9.9. Voorselectietijdfunctie annuleren	33
9.10. Nadroogprogramma annuleren (alleen PRO B3)	33
9.11. Saunamodus uitschakelen	33
9.12. Saunabesturing uitschakelen	33

<b>10.Reiniging en onderhoud</b>	<b>34</b>
10.1. Reiniging.....	34
10.2. Onderhoud.....	34
<b>11.Afvoer</b>	<b>34</b>
<b>12.Probleemoplossing</b>	<b>35</b>
12.1. Foutmeldingen.....	35
12.2. Watertekortweergave (alleen PRO B3).....	36
12.3. Zekeringen.....	36
<b>13.Technische gegevens</b>	<b>37</b>



# 1. Over deze handleiding

Lees deze montage- en gebruiksaanwijzing goed door en bewaar deze in de buurt van de saunabesturing. Zo kunt u te allen tijde informatie over uw veiligheid en de bediening nalezen.



U vindt deze montage- en gebruiksaanwijzing ook op onze website: [www.sentiotec.com/downloads](http://www.sentiotec.com/downloads).

## **Symbolen in waarschuwingen**

In deze montage- en gebruiksaanwijzing staat bij werkzaamheden die gevaarlijk kunnen zijn een waarschuwing. Neem deze waarschuwingen steeds in acht. Zo voorkomt u materiële schade en letsel dat in het ergste geval zelfs dodelijk kan zijn.

In de waarschuwingen worden signaalwoorden gebruikt die de volgende betekenis hebben:



### **GEVAAR!**

Als u deze waarschuwing niet in acht neemt, leidt dit tot ernstig letsel of de dood.



### **WAARSCHUWING!**

Als u deze waarschuwing niet in acht neemt, kan dit leiden tot ernstig letsel of de dood.



### **VOORZICHTIG!**

Als u deze waarschuwing niet opvolgt, kan dit leiden tot licht letsel.

## **LET OP!**

Dit signaalwoord waarschuwt voor materiële schade.

## **Andere symbolen**



Dit symbool duidt op tips en nuttige aanwijzingen.

## 2. Belangrijke aanwijzingen voor uw veiligheid

De saunabediening PRO B2 / PRO B3 is gebouwd conform erkende veiligheidstechnische voorschriften. Toch kunnen bij het gebruik gevaren ontstaan. Neem daarom de volgende veiligheidsaanwijzingen en de speciale waarschuwingsaanwijzingen in de afzonderlijke hoofdstukken in acht. Neem ook de veiligheidsaanwijzingen van de aangesloten apparaten in acht.

### 2.1. Reglementair gebruik

De saunabediening PRO B2 / PRO B3 is uitsluitend bedoeld voor de bediening en regeling van de functies volgens de technische gegevens.

De saunabediening PRO B2 / PRO B3 mag alleen voor de besturing en regeling van een saunakachel conform paragraaf 19.101 van EN 60335-2-53 worden gebruikt. Als de kachel niet aan deze voorwaarde voldoet, moet een desbetreffende veiligheidsmaatregel worden getroffen (bijvoorbeeld: Veiligheidsuitschakeling / deursensor aansluiten, zie **5.8 op pagina 20**).

De saunabediening PRO B2 / PRO B3 mag alleen voor de besturing en regeling van 3 verwarmingskringen met maximaal 3,5 kW vermogen per kring worden gebruikt. Het maximale verdampervermogen (alleen PRO B3) bedraagt 3,5 kW.

Elk ander gebruik geldt als niet-reglementair. Niet-reglementair gebruik kan leiden tot productbeschadiging, ernstig letsel of de dood.

## 2.2. Veiligheidsvoorschriften voor de monteur

- De montage mag alleen door een elektricien of een vergelijkbaar gekwalificeerde persoon worden uitgevoerd.
- Werkzaamheden aan de saunabesturing mogen alleen in spanningsvrije toestand worden uitgevoerd.
- Op de plaats van opstelling moet een volledige scheidingsinrichting met complete uitschakeling overeenkomstig de overspanningscategorie III worden aangebracht.
- De saunabesturing moet buiten de saunacabine op een hoogte van ongeveer 1,70 m worden gemonteerd of volgens de aanbevelingen van de cabineproducent. De omgevingstemperatuur moet liggen in het bereik van -10 °C en 40 °C.
- De kachelvoeler moet zo worden gemonteerd dat hij geen invloed ondergaat van binnenstromende lucht.
- De toevoerleiding van de kachel moet een dwarsdoorsnede van minstens 2,5 mm<sup>2</sup> hebben en temperatuurbestendig zijn tot 150 °C.
- Neem ook de plaatselijke bepalingen op de plaats van opstelling in acht.
- Raadpleeg voor problemen die in de montageaanwijzingen niet uitvoerig genoeg werden behandeld in het belang van uw eigen veiligheid uw leverancier.

### 2.3. Veiligheidsaanwijzingen voor de gebruiker

- De saunabesturing mag niet door kinderen onder 8 jaar worden gebruikt.
- De saunabesturing mag door kinderen boven 8 jaar, door personen met verminderd fysisch, sensorisch of mentaal vermogen en door personen met gebrek aan kennis en ervaring onder de volgende voorwaarden worden gebruikt:
  - onder toezicht
  - indien veilig gebruik werd gedemonstreerd en ze de gevaren die kunnen ontstaan, begrijpen.
- Kinderen mogen niet met de saunabesturing spelen.
- Kinderen onder 14 jaar mogen de saunabesturing alleen onder toezicht reinigen.
- Maak in het belang van uw eigen gezondheid geen gebruik van de sauna, indien u onder invloed bent van alcohol, medicamenten of drugs.
- Controleer of er geen brandbare voorwerpen op de saunakachel liggen voordat u de saunabesturing inschakelt.
- Controleer of er geen brandbare voorwerpen op de saunakachel liggen, voordat u de voorkeuzefunctie of de stand-bymodus voor starten op afstand activeert.
- Raadpleeg in het geval van problemen die in de gebruiksaanwijzing niet uitvoerig genoeg worden behandeld in het belang van uw eigen veiligheid uw leverancier.

## 3. Productbeschrijving

### 3.1. Leveromvang

- Bedieningspaneel (uitvoeringsafhankelijk PRO B2 / PRO B3)
- Kachelvoeler met geïntegreerde oververhittingsbeveiliging
- Montagemateriaal

### 3.2. Optioneel toebehoren

- Bankvoeler (1-009-231 / O-F2)
- Vochtigheids-temperatuurvoeler (1-010-081 / O-FTS2)
- Folievoeler (1-014-445 / P-ISX-FF)
- Vermogensuitbreiding (1-008-779 / O-S2-18, 1-009-280 / O-S2-30)
- Uitschakelwip (SFE-xxxxx)
- Deursensor Home (1-052-723 / SAB00103)
- MySentio wifi (1-053-313 / S-WIFI01)
- MySentio Remote (1-053-314 / S-WIFI02)

### 3.3. Productfuncties

#### **PRO B2**

De saunabediening PRO B2 beschikt over volgende functies:

- Regelen van saunakachels met een verwarmingsvermogen tot 10,5 kW in een temperatuurbereik van 30 °C tot 110 °C.
- Met een vermogensuitbreiding kan het maximale schakelvermogen van 10,5 kW tot 18 kW of 30 kW worden verhoogd.
- Schakelen van een cabinelicht (tot 100 W)
- Afstandsbediening
- Deurbewaking
- Voorselectietijdfunctie (tot 24 uur)
- Automatische begrenzing van de verwarmingstijd  
Uit veiligheidsoverwegingen schakelt de saunabesturing na maximale verwarmingstijd automatisch uit. De maximale verwarmingstijd kan op 6 u, 12 u, 18 u of 24 u worden ingesteld.

- **Oververhittingsbeveiliging**  
De oververhittingsbeveiliging bevindt zich in de behuizing van de kachelvoeler. Wanneer de saunakachel, na het bereiken van de gewenste temperatuur, door een defect blijft verwarmen, schakelt de oververhittingsbeveiliging bij ongeveer 139 °C de saunakachel automatisch uit.

### **PRO B3**

Functies als bij PRO B2, echter ook:

- Regelen van combi-saunakachels met een verwarmingsvermogen tot 10,5 kW en een verdampingsvermogen van 3,5 kW in een temperatuurbereik van 30 °C tot 110 °C en in een vochtigheidsbereik van 5 tot 100 %.
- **Nadroogprogramma**  
Na de combimodus wordt het nadroogprogramma automatisch gestart om de vorming van schimmel en rot in de saunacabine te vermijden. Hierbij wordt de saunacabine bij ingeschakelde ventilator tot 80 °C opgewarmd.  
Voor de duur kan een waarde tussen OFF - 60 minuten worden geselecteerd.

## **3.4. Saunabedrijfsmodi**

De saunabesturing PRO B2 ondersteunt alleen de saunamodus. De saunabesturing PRO B3 ondersteunt twee modi, namelijk de saunamodus en de combimodus.

### **Saunamodus**

In de saunamodus is droge warmte beschikbaar. De temperatuur in de cabine is hoog (80 tot 100 °C). De vochtigheidswaarden bedragen maximaal slechts 10%.

### **Combimodus (alleen PRO B3)**

In de combimodus is naast de saunakachel ook de verdamper actief. De temperatuur in de saunacabine is lager (ca. 40 tot 65 °C) dan in de saunamodus, maar de relatieve luchtvochtigheid is met 35% tot ongeveer 70% wel aanzienlijk hoger. Hierbij is de maximaal instelbare gewenste vochtigheid afhankelijk van de saunatemperatuur. Hoe hoger de saunatemperatuur, hoe lager de maximaal instelbare vochtigheidswaarde (zie karakteristiek op pagina 11).

### 3.5. Voelerbedrijfsmodi

De saunabediening kan met een of twee voelers worden gebruikt. Als tweede voeler kan een temperatuurvoeler (bankvoeler, F2) of een vochtigheids-temperatuurvoeler (FTS2, alleen bij PRO B3) worden gebruikt.

#### ***Eenvoelermodus (F1)***

De eenvoelermodus moet via de functieschakelaar worden geactiveerd (zie **8.5. Modus met een voeler activeren/deactiveren op pagina 25**).

In de eenvoelermodus wordt de saunabesturing enkel gebruikt met de kachelvoeler met oververhittingsbeveiliging (F1). Deze wordt meegeleverd.

In de modus met een voeler geeft de saunabediening standaard alleen de ingestelde temperatuur weer. De werkelijke temperatuur wordt niet weergegeven. Als de saunabediening in modus met een voeler de temperatuur boven de kachel (F1-voeler) als werkelijke temperatuur moet weergeven, moet deze bij inbedrijfstelling worden geactiveerd (zie **8.7. Kacheltemperatuur in modus met een voeler weergeven op pagina 26**).

**Alleen PRO B3:** De maximaal instelbare vochtigheidswaarde richt zich in de modus met een voeler naar de temperatuur boven de kachel en de vochtigheid wordt verdeeld. In het display van de saunabesturing wordt nu de gewenste waarde voor vochtigheid (in % relatieve luchtvochtigheid) weergegeven. De werkelijke vochtigheid in de saunacabine is bij verdeelde vochtigheid afhankelijk van de grootte van de cabine en het verdampingsvermogen en kan afwijken van de ingestelde gewenste waarde.

#### ***Modus met twee voelers met bankvoeler (F2)***

De tweevoelermodus is standaard geactiveerd.

In de tweevoelermodus met bankvoeler wordt een tweede temperatuurvoeler (bankvoeler) boven de achterste saunabank gemonteerd. De saunabesturing geeft als werkelijke waarde de temperatuur aan die door de bankvoeler wordt gemeten.

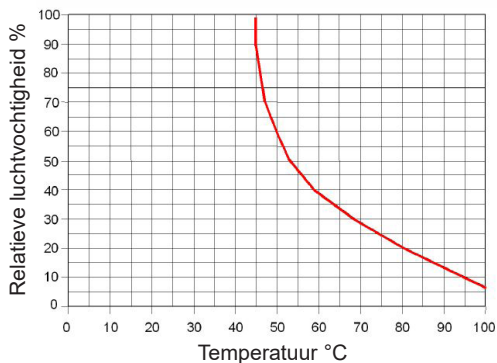
**Alleen PRO B3:** In de tweevoelermodus met bankvoeler wordt de vochtigheid verdeeld. Op het display van de saunabesturing wordt nu de gewenste waarde voor de vochtigheid (in % relatieve luchtvochtigheid) weergegeven. De werkelijke vochtigheid in de saunacabine is bij verdeelde vochtigheid afhankelijk van de grootte van de cabine en het verdampingsvermogen en kan afwijken van de ingestelde gewenste waarde.

**Alleen PRO B3:****Tweevoelermodus met vochtigheidstemperatuurvoeler (FTS2)**

De tweevoelermodus is standaard geactiveerd.

Wanneer in de tweevoelermodus een vochtigheidstemperatuurvoeler wordt gebruikt, geeft de saunabesturing als werkelijke waarde de temperatuur aan die door de vochtigheidstemperatuurvoeler wordt gemeten.

In de tweevoelermodus met vochtigheidstemperatuurvoeler wordt de verdamper geregeld naargelang de vochtigheid die in de cabine wordt gemeten. Op het display van de saunabesturing wordt de werkelijke vochtigheid in de saunacabine (in % relatieve luchtvochtigheid) weergegeven.



EN 60335-2-53:2011; karakteristiek temperatuur / relatieve luchtvochtigheid voor correct gebruik.



## 4. Montage

### 4.1. Saunabesturing monteren

---

**LET OP!*****Schade aan het apparaat***

De saunabesturing is spatwaterdicht. Toch kan rechtstreeks contact met water het apparaat beschadigen.

- Monteer de saunabesturing op een droge plaats waar een maximale luchtvochtigheid van 95% niet wordt overschreden.
- 

---

**LET OP!*****Storende bronnen beïnvloeden de signaaloverdracht***

- Leg alle voelerkabels gescheiden van andere netkabels en stuurkabels.
  - Bescherm enkelvoudig geïsoleerde kabels door een buis (dubbele isolatie).
- 

Let bij de montage van de saunabesturing op de volgende punten:

- De saunabesturing moet buiten de saunacabine worden gemonteerd of volgens de aanbevelingen van de cabineproducent.
- De omgevingstemperatuur moet liggen in het bereik van -10 °C en 40°C.
- Alle voelers mogen enkel worden aangesloten met de meegeleverde voelerkabels die tot 150 °C temperatuurbestendig zijn.

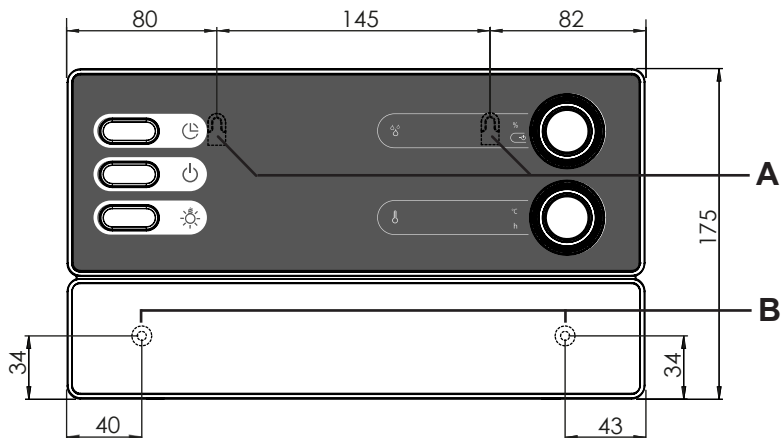


De voelerkabels mogen enkel onder volgende omstandigheden worden verlengd:

- Gebruik van een siliconekabel die bestendig is tot 150 °C.
  - De minimale doorsnede van de kabel bedraagt 0,5 mm<sup>2</sup>.
  - De kabels van de kachelvoeler mogen NIET langer zijn dan 10 m.
-

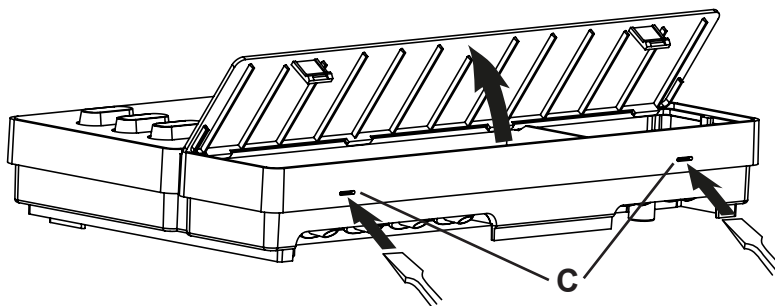
Om de saunabesturing te monteren, voert u de volgende stappen uit:

1. Draai twee kruiskopschroeven (16 mm) op een hoogte van ongeveer 1,70 m tot op een afstand van 7 mm in de saunawand. De beide schroeven moeten 145 mm van elkaar verwijderd zijn (zie **Afb.1**).



**Afb.1** Positie van de ophangconstructie en de montageopeningen (afmetingen in mm)

2. Druk de springsloten **C** met een schroevendraaier iets in en verwijder de behuizingsdeksel (zie **Afb.2**).
3. Hang de saunabediening met behulp van de ophangconstructie **A** aan de gemonteerde kruiskopschroeven (zie **Afb.1**).
4. Draai twee kruiskopschroeven (16 mm) in de onderste bevestigingsopeningen **B** vast (zie **Afb.1**).



**Afb.2** Het deksel van de behuizing verwijderen

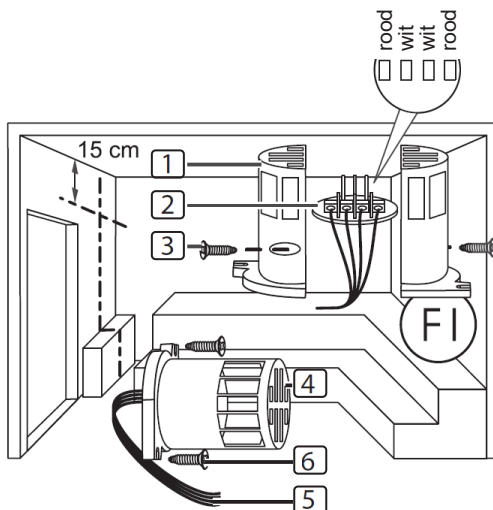
## 4.2. Kachelvoeler F1 met oververhittingsbeveiliging monteren

Let bij de montage van de kachelvoeler op volgende punten:

- De kachelvoeler moet aan de achterkant van de kachel boven het midden van de saunakachel worden gemonteerd. Daarbij dient een afstand van ongeveer 15 cm tot het cabineplafond te worden aangehouden.
- De kachelvoeler moet zo worden gemonteerd dat hij geen invloed ondergaat van binnenstromende lucht.

Om de kachelvoeler te monteren, voert u de volgende stappen uit (zie **Afb.3**):

1. Leg de beide 2-polige kabels van de kachelvoeler in de wand van de saunacabine op de montageplaats van de kachelvoeler, en bevestig de kabels van de kachelvoeler met kabelklemmen.
2. Trek de twee halve omhulsels **1** van de kachelvoeler uit elkaar.
3. Klem de vier aansluitingen van de kabel van de kachelvoeler **5** conform **Afb.3** vast.
4. Leg de aansluitplaat **2** dwars (zoals op **Afb.3** weergegeven) in de halve omhulsels van de kachelvoeler.
5. Sluit de halve omhulsels, schroef deze vast met de twee kruiskopschroeven **3** (9 mm) en controleer of de kachelvoeler stevig gesloten is.
6. Monteer de kachelvoeler aan de achterkant van de kachel met de twee meegeleverde houtschroeven **6** (16 mm).



- 1** Halve omhulsels van de kachelvoeler
- 2** Aansluitplaat
- 3** Kruiskopschroeven (9 mm)
- 4** Kachelvoeler
- 5** Kachelvoelerkabels
- 6** Houtschroeven (16 mm)

**Afb.3 Montage van de kachelvoeler**

### **4.3. Bankvoeler F2 monteren (optioneel)**

De bankvoeler moet op de cabinewand boven de achterste zitbank worden gemonteerd. Daarbij dient een afstand van ongeveer 15 cm tot het cabineplafond te worden aangehouden.

Om de bankvoeler te monteren, voert u de volgende stappen uit:

1. Monteer de 2-polige kabel van de bankvoeler in de wand van de saunacabine op de montageplaats van de bankvoeler en bevestig de kabels van de bankvoeler met kabelklemmen.
2. Trek de twee halve omhulsels van de bankvoeler uit elkaar.
3. Klem de twee aansluitingen van de bankvoelerkabel aan de twee middelste klemmen van de aansluitplaat.
4. Leg de aansluitplaat dwars in de halve omhulsels van de bankvoeler.
5. Sluit de halve omhulsels en schroef deze vast met de beide kruiskopschroeven (9 mm).
6. Controleer of de bankvoeler vast gesloten is.
7. Monteer de bankvoeler aan de cabinewand met de beide meegeleverde houtschroeven (16 mm). Respecteer daarbij een afstand van 15 cm tot het cabineplafond.

### **4.4. Vochtigheidstemperatuurvoeler FTS2 monteren (optioneel, alleen PRO B3)**

De vochtigheids-temperatuurvoeler moet aan de cabinewand boven de achterste zitbank worden gemonteerd. Daarbij dient een afstand van ongeveer 15 cm tot het cabineplafond te worden aangehouden.

Voer voor de montage van de vochtigheidstemperatuurvoeler de volgende stappen uit:

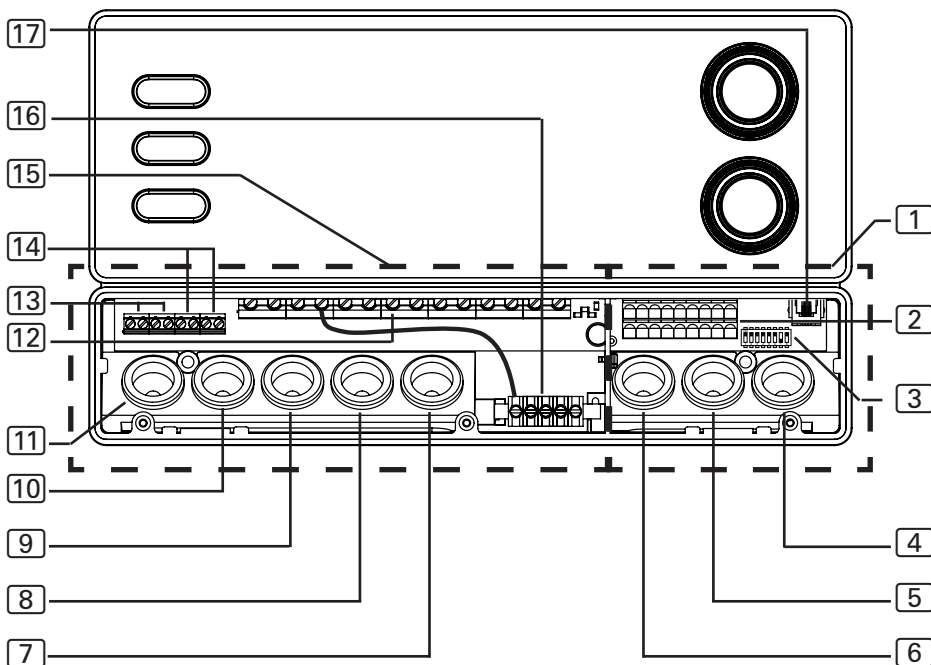
1. Leg de 5-polige voelercabel in de wand van de saunacabine op de montageplaats van de vochtigheidstemperatuurvoeler en bevestig de voelercabels met kabelklemmen.
2. Monteer de vochtigheidstemperatuurvoeler met de twee meegeleverde houtschroeven (16 mm) aan de cabinewand. Houd daarbij een afstand van 15 cm tot het cabineplafond aan.

## 5. Elektrische aansluiting

### LET OP!

#### Schade aan het apparaat

- De saunabesturing mag enkel worden gebruikt voor de bediening en regeling van 3 verwarmingscircuits met een verwarmingsvermogen van max. 3,5 kW per verwarmingscircuit. Het maximale verdampervermogen (alleen PRO B3) bedraagt 3,5 kW.



- |  |   |
|--|---|
| 1 Aansluitbereik voor extra lage spanning  | 9 Kabeldoorvoering voor voedingskabel                         |
| 2 Klemmenlijst voor veiligheidsuitschakeling, afstandsbediening en voelerleidingen | 10 Kabeldoorvoering voor vermogensuitbreiding                 |
| 3 Functieselectieschakelaar  | 11 Kabeldoorvoering voor licht en ventilator                  |
| 4 Kabeldoorvoering voor F2- en FTS2-voeler   | 12 Klemmenlijst voor kachel- en verdampers- en toevoerleiding |
| 5 Kabeldoorvoering voor F1-voeler  | 13 Klemmenlijst voor licht en ventilator                      |
| 6 Kabeldoorvoering voor veiligheidsuitschakeling en afstandsbediening              | 14 Klemmenlijst voor vermogensuitbreiding                     |
| 7 Kabeldoorvoering voor verdampersleiding  | 15 Aansluitbereik voor 230 V / 400 V                          |
| 8 Kabeldoorvoering voor kachelkabel  | 16 Aardingsrail   |
|  | 17 RJ45-bus voor RS485 en MySento wifi                        |

Let bij de elektrische aansluiting van de saunabediening op volgende punten:

- De montage mag alleen door een elektricien of een vergelijkbaar gekwalificeerde persoon worden uitgevoerd.



Houd er rekening mee dat in geval van garantieclaim een kopie van de rekening van het gespecialiseerde elektrobedrijf moet worden voorgelegd.

- Werkzaamheden aan de saunabesturing mogen alleen in spanningsvrije toestand worden uitgevoerd.
- De elektrische voeding moet als vaste aansluiting uitgevoerd zijn.
- Op de plaats van opstelling moet een volledige scheidingsinrichting met complete uitschakeling overeenkomstig de overspanningscategorie III worden aangebracht.
- Raadpleeg het schakelschema **Afb.4** op pagina **22** of **Afb.5** op pagina **23**.

### 5.1. Voedingskabel, kachel en verdamper aansluiten

1. Leid de voedings-, kachel- en verdamperkabel (alleen PRO B3) door de kabeldoorvoeringen **9**, **8**, **7** in het aansluitbereik voor 230 V / 400 V **15**.
2. Sluit de aansluitleidingen conform het aansluitschema aan op de klemmenlijst **12**. Neem daarbij de gebruiksaanwijzing van de desbetreffende apparaten in acht.
3. Wanneer de verdamper niet beschikt over een automatische uitschakeling bij watergebrek, voer dan ook de volgende stappen uit:
  - Verbind met de bijgeleverde draadbruggen de klem "V1" met de klem "Wm".

### 5.2. Licht aansluiten

1. Leid de lichtleiding door de kabeldoorvoering **11** in het aansluitbereik voor 230 V / 400 V **15**.
2. Sluit de lichtleiding conform het aansluitschema aan op de klemmenlijst **13**. Neem daarbij de bedieningshandleiding van het desbetreffende apparaat in acht.

### 5.3. Ventilator aansluiten (optioneel, alleen PRO B3)

1. Leid de ventilatorleiding door de kabeldoorvoering **11** in het aansluitbereik voor 230 V / 400 V **15**.
2. Sluit de ventilatorleiding conform het aansluitschema aan op de klemmenlijst **13**. Neem daarbij de bedieningshandleiding van het desbetreffende apparaat in acht.

## 5.4. Vermogensuitbreiding aansluiten (optioneel)

1. Leid de leiding van de vermogensuitbreiding door de kabeldoorvoering **[10]** in het aansluitbereik voor 230 V / 400 V **[15]**.
2. Sluit de leiding van de vermogensuitbreiding conform het aansluit-schema aan op de klemmenlijst **[14]**. Gebruik daarbij klem "**ST1**" voor het veiligheidscircuit en klem "**ST2**" voor het bedieningscircuit. Neem de gebruiksaanwijzing van het desbetreffende apparaat in acht.

## 5.5. Kachelvoeler F1 aansluiten

1. Geleid de kachelvoelerskabels door de kabeldoorvoering **[5]** in het aansluitbereik voor laagspanning **[1]**.
2. Sluit de rode kachelvoelerskabels aan op de klemmen met het opschrift "**STB**" op de klemmenstrook **[2]**.
3. Sluit de witte kachelvoelerskabels aan op de klemmen met het opschrift "**F1**" op de klemmenstrook **[2]**.

## 5.6. Bankvoeler F2 aansluiten (optioneel)

1. Geleid de bankvoelerskabels door de kabeldoorvoering **[4]** in het aansluitbereik voor laagspanning **[1]**.
2. Sluit de kachelvoelerskabels aan op de klemmen met het opschrift "**F2**" op klemmenstrook **[2]**.



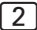
## 5.7. Vochtigheidstemperatuurvoeler FTS2 aansluiten (optioneel, alleen PRO B3)

1. Geleid de voelerskabels door de kabeldoorvoering **[4]** in het aansluitbereik voor laagspanning **[1]**.
2. Sluit de temperatuurvoelerskabels aan op de klemmen met het opschrift "**F2**" op klemmenstrook **[2]**.
  - a. de zwarte kabel aan op de rechter klem.
  - b. de bruine kabel aan op de linker klem.
3. Sluit de kabels van de vochtigheidsvoeler aan op de klemmen met het opschrift "**+ S -**" op klemmenstrook **[2]**n.
  - c. de groene kabel op klem "**+**" aan.
  - d. de oranje kabel op klem "**S**" aan.
  - e. de rode kabel op klem "**-**" aan.

## 5.8. Veiligheidsuitschakeling / deursensor aansluiten

Volgens EN 60335-2-53 mogen saunabesturingen met afstandsbediening alleen worden gebruikt voor de besturing en regeling van een saunakachel die de afdekproef heeft doorstaan conform paragraaf 19.101. Alternatief kan een desbetreffende veiligheidsuitschakeling (bijv. uitschakelwip) / deursensor worden geïnstalleerd. Deze schakelt de saunakachel uit wanneer voorwerpen (bijv. een handdoek) op de saunakachel worden gelegd of de saunadeur worden geopend.

Om de veiligheidsuitschakeling te monteren, voert u volgende stappen uit:

1. Monteer de veiligheidsuitschakeling conform de bedieningshandleiding van het apparaat.
2. Steek de kabels van de veiligheidsuitschakeling door de kabeldoorvoering  in het aansluitbereik voor laagspanning .
3. Sluit de kabels aan op de klemmen met het opschrift "OSG" op klemmenstrook .




Als er geen veiligheidsuitschakeling wordt gemonteerd, moet een draadbrug aan de klemmen met het opschrift „OSG” worden gemonteerd.

## 5.9. Starten op afstand

De aansluiting gebeurt via de klemmen "S", "B" en "C". "S" staat voor de saunamodus en "C" voor de verdampermodus. "B" is een +24 V DC uitgang. Deze moet via een schakelaar of een actuator op de klem „S" geschakeld worden voor de gewenste bedrijfsmodus.

## 5.10. Installatie afronden

1. Sluit de aardleiding van de toevoerleiding en alle apparaten aan op de aardingsrail .
2. Plaats het deksel van de behuizing op de bovenste rand van de aansluitbox.
3. Druk de springsloten licht naar binnen en draai het deksel van de behuizing naar beneden tot deze hoorbaar vastklikt.



## 6. Controles uitvoeren

De volgende controles moeten worden uitgevoerd door een erkende elektricien.



### **WAARSCHUWING!**

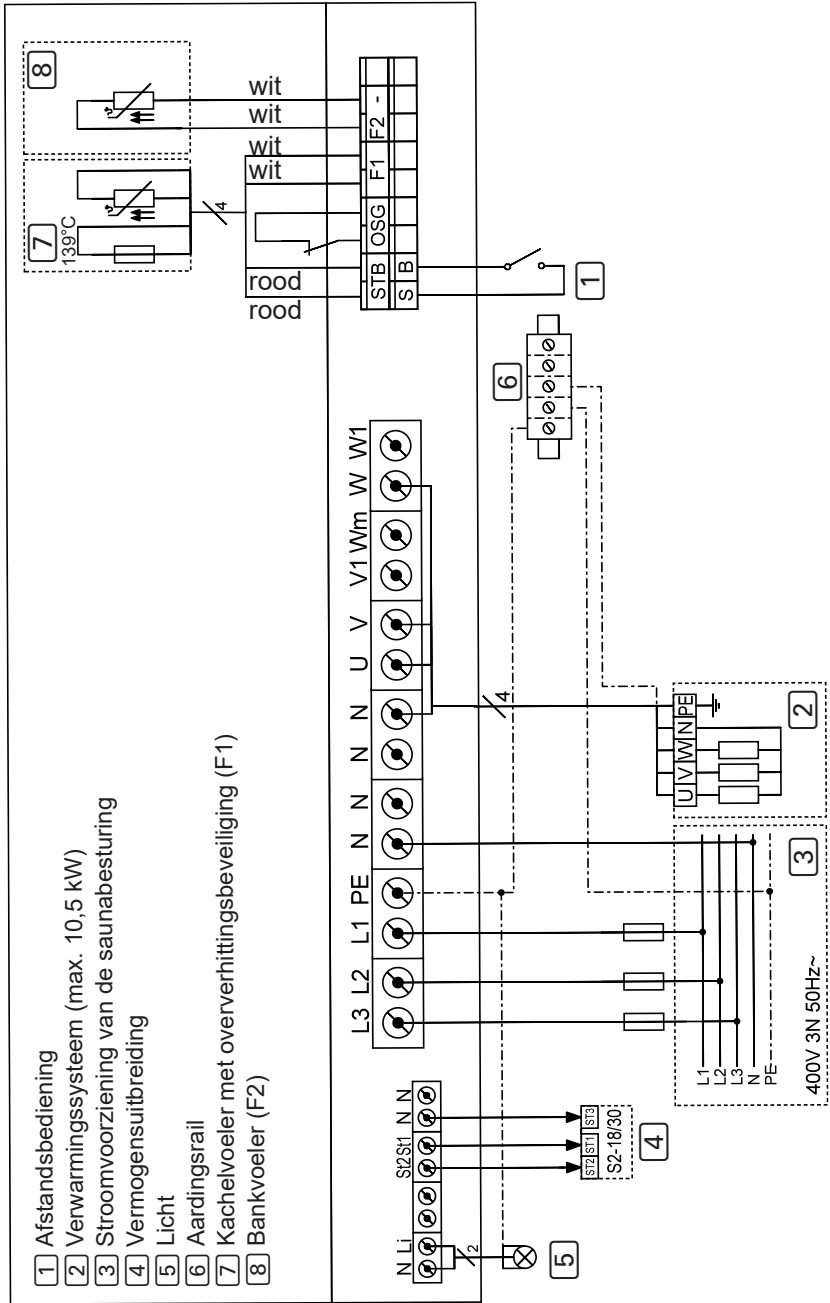
***De volgende controles worden uitgevoerd bij ingeschakelde stroomtoevoer. Er bestaat gevaar voor een elektrische schok.***

- Raak NOOIT onderdelen aan die onder spanning staan.

1. Controleer het contact van de aarddraden met de aardklem.
2. Controleer de oververhittingsbeveiliging van de kachelvoeler F1.
  - a. Schakel de saunabesturing in.
  - b. Open de kachelvoeler en maak een van de twee rode kabels van de kachelvoeler los.
    - ▶ In het bovenste display wordt "Err" weergegeven, in het onderste display "02" en de besturing schakelt de kachel uit.
  - c. Schakel de saunabesturing uit.
  - d. Sluit de rode kabel van de kachelvoeler weer aan.
  - e. Maak nu een van de witte kabels van de kachelvoeler los.
  - f. Schakel de saunabesturing in.
    - ▶ In het bovenste display wordt "Err" weergegeven, in het onderste display "04F1" en de besturing schakelt de kachel uit.
  - g. Schakel de saunabesturing uit.
  - h. Sluit de witte kabel van de kachelvoeler weer aan.
3. Controleer de fasesdoorschakeling voor de sauna-modus L1, L2, L3 naar U, V, W.
4. Controleer het maximaal toegestane verwarmingsvermogen op de saunabesturing van 3,5 kW per fase.
5. Alleen PRO B3: Controleer de fasesdoorschakeling voor verdampermodus L1, L2, L3 naar U, V1, W.
6. Bij optionele vermogensuitbreiding
  - a. Controleer de bedieningskabels ST1, ST2 en ST3.
  - b. Controleer het maximaal toegestane verwarmingsvermogen op de vermogensuitbreiding S2-18 van 3 kW per fase.
  - c. Controleer het maximaal toegestane verwarmingsvermogen op de vermogensuitbreiding S2-30 van 7 kW per fase.

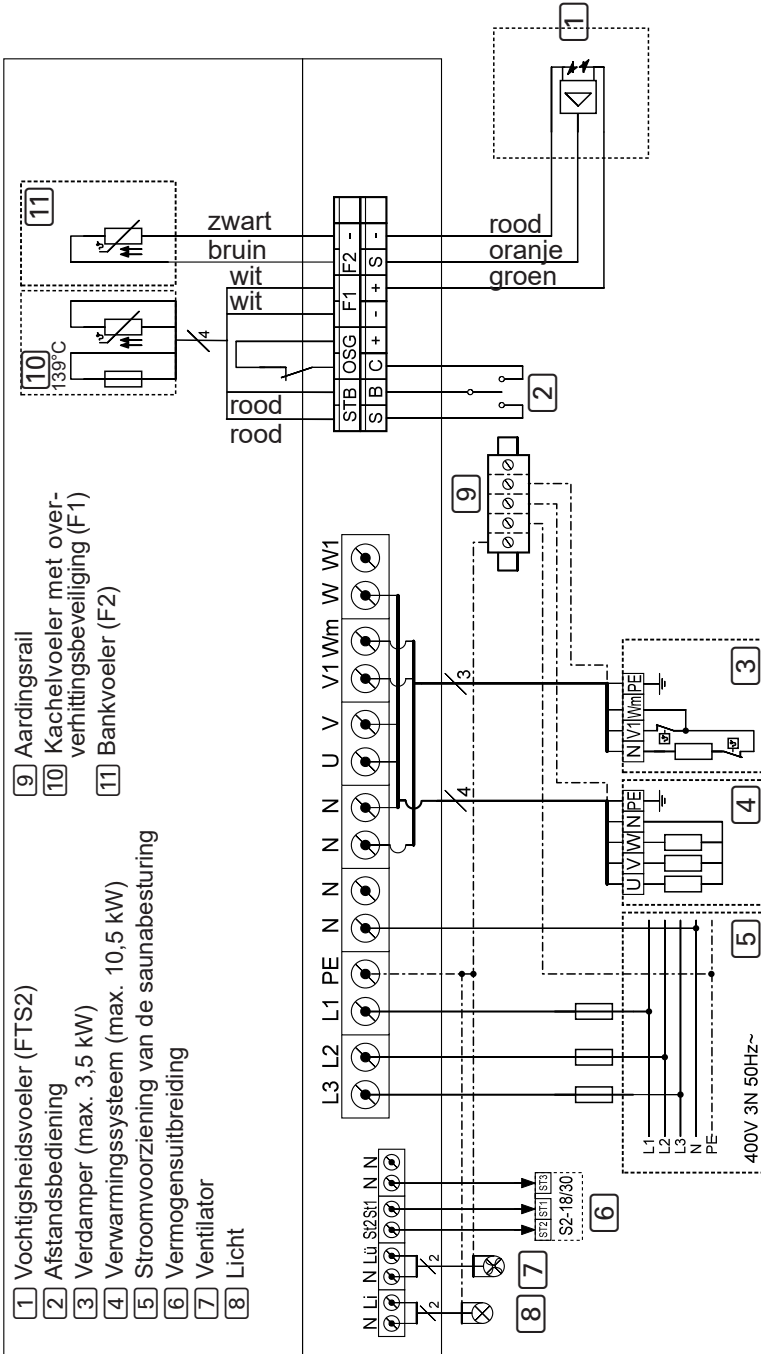
# 7. Aansluitschema

Afb.4 Aansluitschema PRO B2



- 1 Afstandsbediening
- 2 Verwarmingssysteem (max. 10,5 kW)
- 3 Stroomvoorziening van de saunabesturing
- 4 Vermogensuitbreiding
- 5 Licht
- 6 Aardingsrail
- 7 Kachelvoeler met oververhittingsbeveiliging (F1)
- 8 Bankvoeler (F2)

**Afb.5 Aansluitschema PRO B3**

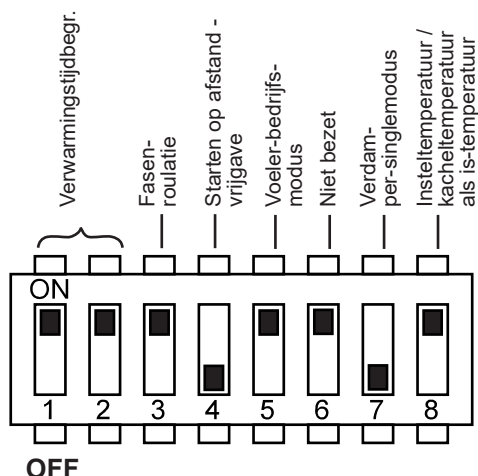


## 8. Inbedrijfstelling

### 8.1. Instelling van de functieselectieschakelaar

Via de functieschakelaar in het aansluitbereik voor laagspanning kunnen verschillende productfuncties worden geactiveerd. De afbeelding rechts toont de standaardinstelling van de functieschakelaar.

Houd er rekening mee dat na wijzigingen de besturing 10 seconden moet worden uitgeschakeld, om de instellingen op te slaan.



Afb.6 Functiekeuzeschakelaar - standaardinstelling

### 8.2. Verwarmingstijdbegrenzing instellen

De maximale verwarmingstijd is standaard op 6 u ingesteld. Uit veiligheidsoverwegingen schakelt de saunabesturing na maximale verwarmingstijd automatisch uit.

Via de functieselectieschakelaar in het aansluitbereik voor extra lage spanning kan de maximale verwarmingsduur op 12 u, 18 u of 24 u worden ingesteld. De hiervoor verantwoordelijke posities van de functieselectieschakelaar staan in de tabel rechts.

<i>Functieselectieschakelaar</i>	1	2
6 u	ON	ON
12 u	OFF	ON
18 u	ON	OFF
24 h	OFF	OFF



EN 60335-2-53 schrijft voor privésauna's een begrenzing van de verwarmingstijd van 6 u voor. Voor sauna's in hotels, woonblokken en dergelijke is een verwarmingstijdbegrenzing van maximaal 12 u toegestaan. De uitbreiding van de verwarmingstijdbegrenzing tot 18 u of 24 u is alleen in publieke sauna's toegestaan.

### 8.3. Fasenroulatie activeren/deactiveren

De fasenroulatie wordt via de functieschakelaar **3** geactiveerd resp. gedeactiveerd.

- Standaard bevindt de functieschakelaar **3** zich in de ON-stand. De fasenroulatie is dan geactiveerd.
- Wanneer u de fasenroulatie wilt deactiveren, zet u de functiekeuzeschakelaar **3** in de OFF-stand.

### 8.4. Starten op afstand - vrijgave

Met de functiekeuzeschakelaar **4** kan de functie van de starten op afstand - uitgang worden geselecteerd (zie EN60335-2-53).

- Standaard bevindt de functiekeuzeschakelaar **4** in OFF-stand. Het starten op afstand wordt middels de functie „Stand-by voor bediening op afstand” geactiveerd.
- Als u de bedienen op afstand - uitgang voor div. apparaten (bijv. Münzer, starten op afstand - systeem, deurbewaking) wilt vrijschakelen, zet de functiekeuzeschakelaar **4** dan in de ON-positie.

### 8.5. Modus met een voeler activeren/deactiveren

In de modus met een voeler wordt de saunabediening enkel gebruikt met de kachelvoeler met oververhittingsbeveiliging (F1-voeler). Modus met een voeler moet via de functieschakelaar **5** worden geactiveerd.

- Standaard bevindt de functieschakelaar zich **5** in ON-positie. De bedrijfsmodus met twee voelers is dan geactiveerd.
- Wanneer u de modus met een voeler wilt activeren, zet u de functiekeuzeschakelaar **5** in de OFF-stand.

### 8.6. Verdampersinglemodus activeren (alleen PRO B3)

De verdampersinglemodus kan standaard alleen samen met het verwarmingssysteem in bedrijf worden gesteld. Om de verdampersinglemodus alleen zonder verwarmingssysteem te kunnen gebruiken, moet de verdampersinglemodus via de functiekeuzeschakelaar **7** worden geactiveerd.

- Standaard staat de functiekeuzeschakelaar **7** in de OFF-positie. De verdampersinglemodus is gedeactiveerd.
- Wanneer u de verdampersinglemodus wilt activeren, zet u de functiekeuzeschakelaar **7** in de stand ON.

## 8.7. Kacheltemperatuur in modus met een voeler weergeven

In de modus met een voeler geeft de saunabediening standaard alleen de ingestelde temperatuur weer. De werkelijke temperatuur wordt niet weergegeven. Als de saunabediening in modus met een voeler de temperatuur boven de kachel (F1-voeler) als werkelijke temperatuur moet weergeven, moet deze met de functieschakelaar **8** worden geactiveerd.

- Standaard bevindt de functieschakelaar zich **8** in ON-positie. Dan wordt alleen de ingestelde temperatuur weergegeven.
- Als de temperatuur boven de kachel als werkelijke temperatuur moet worden weergegeven, de functieschakelaar **8** in de OFF-positie zetten.



Neem in acht dat de temperatuur boven de kachel altijd hoger is dan de temperatuur in het bereik van de zitbanken. Met de kacheltemperatuur als werkelijke temperatuur is de weergegeven temperatuur van de saunabesturing hoger dan de met de cabinethermometer gemeten temperatuur.

## 8.8. Instellingen in het technicusmenu

### *Technicusmenu oproepen*

In het technicusmenu kunnen meer instellingen worden uitgevoerd. Voer het volgende uit om het technicusmenu te openen:

1. De saunabesturing moet zijn uitgeschakeld.
2. Druk tegelijkertijd op de aan/uit-schakelaar **[6]**, voorselectietijd-toets **[7]** en de temperatuurselector **[3]**.
  - ▶ in de bovenste weergave **[1]** verschijnt „SEtt“
3. Als u op de temperatuurselector **[3]** drukt, gaat u naar de gewenste instelling

### *Looptijd nadroogprogramma instellen (alleen PRO B3)*

De maximale looptijd van het nadroogprogramma is standaard op 60 min ingesteld. Voer volgende stappen uit, om deze instelling te wijzigen:

1. Roep het technicusmenu op
  - ▶ in de bovenste weergave **[1]** verschijnt „dry“
  - ▶ In de onderste weergave **[4]** verschijnt „t30“
2. Selecteer met de temperatuurselector **[3]** de gewenste waarde: (keuze 0 - 60; 0 = nadroogprogramma uitgeschakeld; 60 = maximale looptijd in minuten)

**Veiligheidsuitschakeling / deursensor activeren**

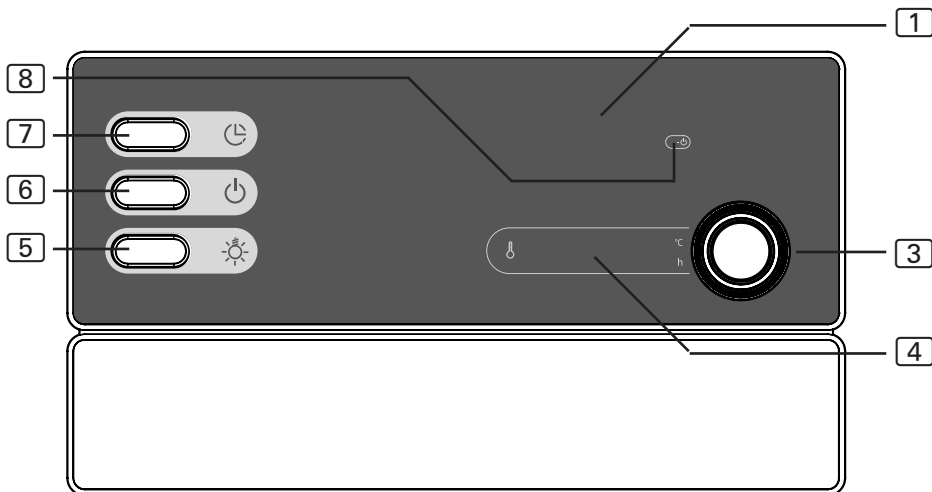
1. Roep het technicusmenu op (zie 26)
  - ▶ in de bovenste weergave **1** verschijnt „SdO“
  - ▶ In de onderste weergave **4** verschijnt „SAFE“ (=standaardinstelling)
2. Selecteer met de temperatuurselector **3** de gewenste waarde:
  - „SAF“ betekent SAFE - de veiligheidsuitschakeling is geactiveerd (standaard)
  - „dor“ betekent DOOR - de deursensor is geactiveerd

**Instellingen opslaan en technicusmenu beëindigen**

Druk op de temperatuurselector **3** gedurende ca. 3 seconden.

**Softwarestand opvragen**

1. Druk op de IN/UIT-schakelaar **6** om de saunabediening in te schakelen.
2. Druk tegelijkertijd gedurende 5 seconden op de voorselectietijd-toets **7** en op de temperatuurselector **3**
  - ▶ in de bovenste weergave **1** verschijnt softwarestand „5.00.5“

**9. Bediening****9.1. Bedieningselementen PRO B2**

**1** Aanvullende weergave

**2** -

**3** Temperatuurselector

**4** Temperatuurweergave

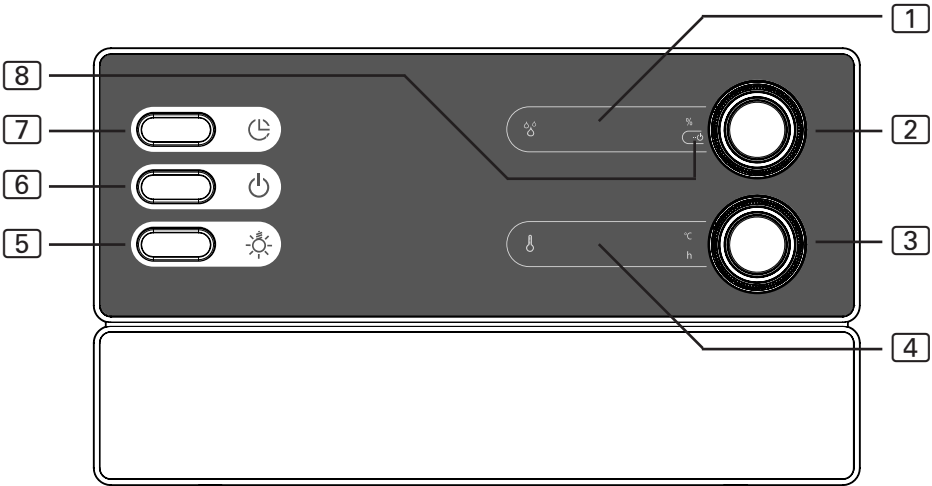
**5** Lichtschakelaar

**6** IN/UIT-schakelaar

**7** Voorselectietijd-toets

**8** Weergave startfunctie op afstand

## 9.2. Bedieningselementen PRO B3



**1** Vochtigheidsweergave

**2** Vochtigheidsselector

**3** Temperatuurselector

**4** Temperatuurweergave

**5** Lichtschakelaar

**6** IN/UIT-schakelaar

**7** Voorselectietijd-toets

**8** Weergave startfunctie op afstand

## 9.3. Licht inschakelen

Het licht in de saunacabine kan onafhankelijk van de AAN/UIT-schakelaar **6** worden in- en uitgeschakeld.

- Druk op de lichtschakelaar **5** om het licht in of uit te schakelen.



## 9.4. Saunabesturing inschakelen



### WAARSCHUWING!

#### *Brandgevaar*

Brandbare voorwerpen die op de hete saunakachel liggen, kunnen ontvlammen en brand veroorzaken.

- Leg **NOOIT** brandbare voorwerpen op de saunakachel.
- Controleer of er **GEEN** brandbare voorwerpen op de saunakachel liggen voordat u de saunabesturing inschakelt.

- Druk op de IN/UIT-schakelaar **[6]** om de saunabediening in te schakelen.
  - ▶ In de temperatuurweergave **[4]** verschijnt gedurende enkele seconden „0“. Vervolgens wordt de actuele temperatuur in de cabine weergegeven. In modus met een voeler wordt de als laatste ingestelde moet-temperatuur weergegeven.
  - ▶ Alleen PRO B3: In de vochtigheidsweergave **[1]** verschijnt gedurende enkele seconden „0“. Vervolgens wordt de actuele vochtigheid in de cabine weergegeven. Als geen vochtigheidstemperatuurvoeler is gemonteerd, wordt de als laatste ingestelde moet-vochtigheid weergegeven.

## 9.5. Saunamodus starten

1. Stel met de temperatuurselector **[3]** de gewenste temperatuur in.
  - ▶ De temperatuurselector **[3]** knippert en de ingestelde moet-temperatuur wordt in de temperatuurweergave **[4]** weergegeven.
2. Druk op de temperatuurselector **[3]**.
  - ▶ De saunakachel wordt ingeschakeld en begint te verwarmen.
  - ▶ In de temperatuurweergave **[4]** wordt de actuele temperatuur in de cabine weergegeven. In modus met een voeler wordt de moet-temperatuur weergegeven.



U kunt tijdens bedrijf de ingestelde moet-temperatuur wijzigen.

- Draai de temperatuurselector **[3]** naar rechts om de temperatuur te verhogen.
- Draai de temperatuurselector **[3]** naar links om de temperatuur te verlagen.
- ▶ De temperatuurselector **[3]** knippert en de nieuw ingestelde temperatuur wordt overgenomen.

## 9.6. Combimodus starten (alleen PRO B3)

1. Stel met de temperatuurselector **3** de gewenste temperatuur in.
  - ▶ De temperatuurselector **3** knippert en de ingestelde moet-temperatuur wordt in de temperatuurweergave **4** weergegeven.
2. Druk op de temperatuurselector **3**.
  - ▶ De saunakachel wordt ingeschakeld en begint te verwarmen.
  - ▶ In de temperatuurweergave **4** wordt de actuele temperatuur in de cabine weergegeven. In modus met een voeler wordt de moet-temperatuur weergegeven.
3. Stel met de vochtigheidsselector **2** de gewenste vochtigheid in.
  - ▶ De vochtigheidsselector **2** knippert en de ingestelde gewenste vochtigheid wordt in de vochtigheidsweergave **1** weergegeven.
4. Druk op de vochtigheidsselector **2**.
  - ▶ De verdamper wordt ingeschakeld.
  - ▶ In de vochtigheidsweergave **1** wordt de actuele vochtigheid in de cabine weergegeven. Als geen vochtigheidstemperatuurvoeler is gemonteerd, wordt de moet-vochtigheid weergegeven.



---

Als de saunabesturing zonder vochtigheidstemperatuurvoeler (FTS2) wordt gebruikt, is cyclusbedrijf geactiveerd. Als de cabinetemperatuur zich onder 30 °C bevindt, wordt de verdamper gedurende 10 minuten continu ingeschakeld. Dit zorgt ervoor dat het water in de tank een basistemperatuur bereikt. Daarna wordt het cyclusbedrijf gestart.

---

---



De verdamper kan alleen worden gestart als de saunakachel is ingeschakeld. Hierbij is de maximaal instelbare gewenste vochtigheid afhankelijk van de saunatemperatuur. Hoe hoger de saunatemperatuur, des te lager de maximaal instelbare vochtigheidswaarde. Zie **karacteristiek op 12**.

**Uitzondering:** De verdamper-singlemodus is geactiveerd (zie ). Hier kan de verdamper ook zonder saunakachel in bedrijf worden gesteld, waarbij de maximale vochtigheid van de actuele cabinetemperatuur afhangt.

---

## 9.7. Stand-by voor bediening op afstand activeren

Conform EN 60335-2-53 moeten saunabesturingen met startfunctie op afstand handmatig op de bedrijfsmodus „Stand-by voor bediening op afstand” worden gezet.



Deze activering moet na elke start en stop op afstand opnieuw worden uitgevoerd.

### ***Bij geactiveerde veiligheidsuitschakeling (standaard)***

Voer hiervoor volgende stappen uit:

1. Druk gedurende drie seconden (longpress) op de temperatuurselector **[3]**.
  - ▶ De weergave van startfunctie op afstand **[8]** begint te knipperen.
  - ▶ De saunabesturing is nu klaar om via een signaal op afstand te worden gestart en gestopt.
  - ▶ Na uitgevoerde start en stop op afstand gaat de weergave startfunctie op afstand uit en moet de bedrijfsmodus opnieuw worden geactiveerd.

### ***Bij geactiveerde deursensor***

1. Druk gedurende drie seconden (longpress) op de temperatuurselector **[3]**.
  - ▶ Op het onderste display wordt een countdown van 30 seconden getoond. De deur kan gedurende deze tijd willekeurig vaak worden geopend / gesloten. Na afloop van de countdown moet de deur zijn gesloten!
  - ▶ De weergave van startfunctie op afstand **[8]** knippert
  - ▶ De saunabesturing is nu klaar om via een signaal op afstand één keer te worden gestart en gestopt = modus „Stand-by voor bediening op afstand“

*Deur wordt geopend - op het display verschijnt waarschuwing „door“*

- in de modus „Stand-by voor bediening op afstand“:  
Om de modus voort te zetten moet de deur worden gesloten en de waarschuwing worden bevestigd door lang (longpress) op de onderste regelaar te drukken. ▶ Op het display wordt opnieuw de countdown (30 seconden) getoond.
- tijdens lopend bedrijf of vrijgegeven uitgang voor starten op afstand (voor Münzer of deursensorsysteem):  
De bevestiging gebeurt automatisch wanneer de deur gesloten is.

## 9.8. Voorkeuzetijd instellen



### WAARSCHUWING!

#### *Brandgevaar*

Brandbare voorwerpen die op de hete saunakachel liggen kunnen ontvlammen en brand veroorzaken.

- Leg **NOOIT** brandbare voorwerpen op de saunakachel.
- Controleer of **GEEN** brandbare voorwerpen op de saunakachel liggen, alvorens de voorselectietijdfunctie te activeren.

U kunt de voorkeuzetijd in stappen van 15 minuten instellen. De maximale voorselectietijd bedraagt 24 uur. De voorkeuzetijd wordt in uren en minuten weergegeven. Zo worden bijvoorbeeld 8 uur en 15 minuten als 8.15 weergegeven.

1. Start de saunamodus of combimodus (zie punt **9.5** en **9.6**)
2. Druk op de voorselectietoets **[7]**.
  - ▶ De temperatuurselector **[3]** knippert en in de temperatuurweergave **[4]** wordt de als laatste ingestelde voorselectietijd weergegeven.
3. Druk op de voorselectietoets **[7]** om de voorselectietijd in 15-minuten-stappen te verhogen.
4. Als de gewenste voorselectietijd is bereikt, dient u enkele seconden te wachten.
  - ▶ De saunabesturing wisselt naar de stand-bymodus en de timer loopt.
  - ▶ In de temperatuurweergave **[4]** wordt de resterende selectietijd getoond en knippert de temperatuurselector **[3]**.
  - ▶ Na afloop van de voorselectietijd wordt de geselecteerde modus gestart.



De laatst ingestelde voorkeuzetijd wordt opgeslagen; zo kan met slechts een druk op de knop de laatste waarde worden opgeroepen. Om de voorselectietijd naar 00:00 terug te zetten, moet u drie seconden (longpress) op de voorselectietijd-toets drukken

## 9.9. Voorselectietijdfunctie annuleren

- Druk gedurende drie seconden (longpress) op de voorselectietijdtoets **[7]** om de voorselectietijdfunctie te annuleren.
  - ▶ Het aflopen van de voorselectietijd wordt geannuleerd.
  - ▶ In de temperatuurweergave **[4]** wordt de actuele temperatuur in de cabine weergegeven. In modus met een voeler wordt de moet-temperatuur weergegeven.

## 9.10. Nadroogprogramma annuleren (alleen PRO B3)

Na combimodus wordt het nadroogprogramma automatisch gestart. Hierbij wordt de saunacabine bij ingeschakelde ventilator tot 80 °C opgewarmd. (standaard = 30 minuten, afhankelijk van instelling in het technicusmenu). In de temperatuurweergave **[4]** wordt de tekst "dry" weergegeven.

- Druk gedurende drie seconden (longpress) op de temperatuurselector **[3]** om het nadroogprogramma te annuleren.



Om vorming van schimmel en rot te voorkomen mag het nadroogprogramma NIET worden afgebroken.

## 9.11. Saunamodus uitschakelen

- Druk op de temperatuurselector **[3]**.
  - ▶ De saunakachel wordt uitgeschakeld. Bij PRO B3 wordt na de combimodus (min. 3 minuten) het nadroogprogramma automatisch gestart.

## 9.12. Saunabesturing uitschakelen

- Druk op de IN/UIT-schakelaar **[6]** om de saunabediening uit te schakelen.
  - ▶ De vochtigheidsweergave **[1]** en de temperatuurweergave **[4]** verdwijnen.
  - ▶ De saunabesturing is uitgeschakeld.

## 10. Reiniging en onderhoud

### 10.1. Reiniging

---

**LET OP!*****Schade aan het apparaat***

De saunabesturing is spatwaterdicht. Toch kan rechtstreeks contact met water het apparaat beschadigen.

- Dompel het apparaat NOOIT onder in water.
- Giet geen water over het apparaat.
- Reinig het apparaat niet te nat.

- 
1. Drenk een reinigingsdoek in een zachte zeepoplossing.
  2. Wring de reinigingsdoek goed uit.
  3. Wis de behuizing van de saunabesturing voorzichtig schoon.

### 10.2. Onderhoud

De saunabesturing behoeft geen onderhoud.

## 11. Afvoer



- Voer het verpakkingsmateriaal af volgens de geldende afvoer-richtlijnen.
- Oude apparaten bevatten opnieuw bruikbare materialen maar ook schadelijke stoffen. Deponeer uw oude apparaat daarom in geen geval bij het gewone afval, maar voer het apparaat af volgens de plaatselijk geldende voorschriften.

## 12. Probleemoplossing

### 12.1. Foutmeldingen

De saunabesturing is uitgerust met diagnosesoftware die de systeemtoestanden controleert bij inschakeling en tijdens het bedrijf. Zodra de diagnosesoftware een fout vaststelt, schakelt de saunabesturing de saunakachel uit.

Fouten worden door een herhaaldelijke, akoestische waarschuwingstoon en door knipperen van de vochtigheidsselector [2] en de temperatuurselector [3] weergegeven. Bovendien wordt in de vochtigheidsweergave [1] de tekst "Err" weergegeven. In de temperatuurweergave [4] wordt het foutnummer weergegeven.

Schakel de saunabesturing met de IN/UIT-schakelaar [6] uit en los de fout op voordat u de saunabesturing weer inschakelt.

De volgende tabel beschrijft de mogelijke fouten en de oorzaak ervan. Indien nodig deelt u het foutnummer mee aan uw klantenservice.

<i>Fout</i>	<i>Beschrijving</i>	<i>Oorzaak / oplossing</i>
01	Veiligheidsuitschakeling	Er ligt een voorwerp op de saunakachel. Neem dit weg voordat u de saunakachel weer gebruikt.  Neem <b>5.8 op pagina 20</b> in acht, indien er geen veiligheidsuitschakeling is gemonteerd.
02	Veiligheidstemperatuur-begrenzer	De maximale temperatuur van 139 °C boven de kachel is overschreden.
04F1	Kachelvoeler-fout	Defecte kachelvoeler, slecht contact of kortsluiting
06F2	Bankvoeler-fout	Defecte bankvoeler, slecht contact of kortsluiting
07	Vochtigheidsvoeler-fout	Defecte vochtigheidsvoeler, slecht contact of kortsluiting
door	Saunadeur open	De saunabesturing is verbonden met een deursensor. Sluit de deur of controleer de aansluitingen en instellingen.

## 12.2. Watertekortweergave (alleen PRO B3)

De saunabesturing beschikt in de combimodus over een automatische uitschakeling bij watergebrek, voor zover uw combikachel dit ondersteunt.

Als de watertank van de verdamper leeg is, wordt dit aangegeven met een herhaaldelijke akoestische waarschuwingstoon en de tekst „FILL” in de vochtigheidsweergave **1**. Tegelijkertijd wordt de verdamper uitgeschakeld.

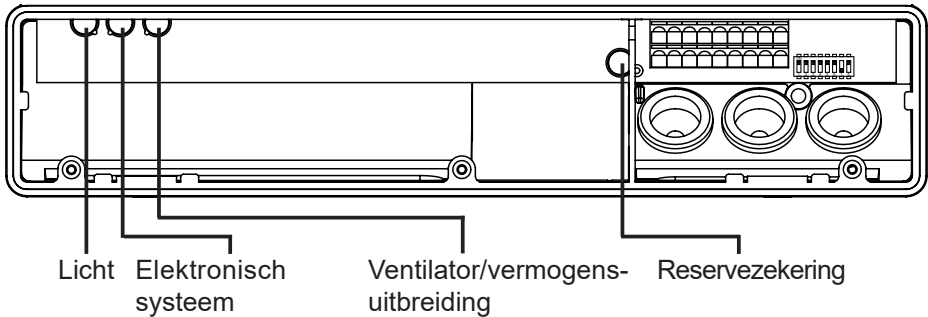
- Vul de watertank van de verdamper met water.
  - ▶ Na korte tijd verdwijnt de tekst "FILL" en wordt de verdamper weer verwarmd.

## 12.3. Zekeringen

In het aansluitbereik van de saunabesturing bevinden zich zekeringen voor licht, ventilator/vermogensuitbreiding en het elektronische systeem alsmede een reservezekering.

Dit zijn trage microzekeringen van 1A.

Ze kunnen worden besteld onder het artikelnummer PRO-FUSE.



Voor het vervangen van de zekering de zekeringhouder recht lostrekken en de nieuwe zekering plaatsen.



## 13. Technische gegevens

### **Omgevingsomstandigheden**

Opslagtemperatuur:	-25 °C tot +70 °C
Omgevingstemperatuur:	-10 °C tot +40 °C
Luchtvochtigheid:	max. 95%

### **Saunabesturing**

Afmetingen:	307 x 175 x 57 mm
Schakelspanning / driefasig 3N:	400 V AC
Frequentie:	50 Hz
Schakelvermogen / verwarmingsapparaat:	3 x 3,5 kW
Schakelstroom per fase / verwarmingsapparaat:	16 A
Schakelvermogen / verdamper (alleen PRO B3):	3,5 kW
Schakelstroom / verdamper (alleen PRO B3):	16 A
Nominale spanning:	230 V
Beschermingsgraad (spatwaterdicht):	IPX4
Aansluiting op het voedingsnet als vaste bekabeling (vaste aansluiting)	

### **Licht**

Schakelvermogen:	100 W
Zekering:	1A T

### **Ventilator**

Schakelvermogen:	100 W
Zekering:	1A T

### **Instelbereiken**

Temperatuur:	30°C tot 110°C
Vochtigheid:	0 % tot 100 %

Daarbij is de maximaal instelbare vochtigheid afhankelijk van de saunatemperatuur. Hoe hoger de saunatemperatuur, hoe lager de maximaal instelbare vochtigheidswaarde.

---

**Thermische veiligheid**

---

Kachelvoeler met oververhittingsbeveiliging (139°C uitschakeltemperatuur)  
Automatische begrenzing van de verwarmingstijd instelbaar (6 u, 12 u, 18 u, 24 u)  
Naar keuze eenvoelermodus of tweevoelermodus

---

**Aansluitkabels**

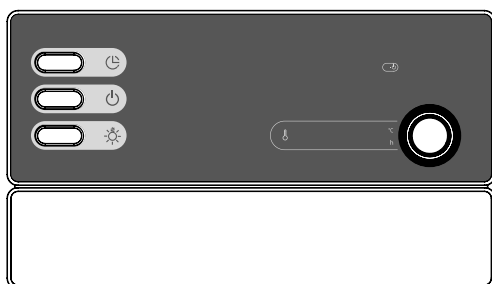
---

Voedingskabel:	min. 5 x 2,5 mm <sup>2</sup>
Kachelvoedingskabel (temperatuurbestendig tot 150 °C):	min. 2,5 mm <sup>2</sup>
Voelerskabels (temperatuurbestendig tot 150 °C):	min. 0,5 mm <sup>2</sup>
Lichtkabel:	min. 1,5 mm <sup>2</sup>
Ventilatorkabel:	min. 1,5 mm <sup>2</sup>

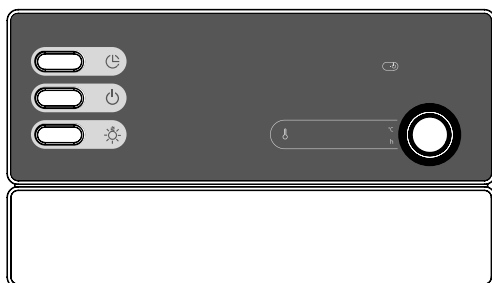
# Bastustyrenhet

## PRO B2 / PRO B3

MONTERINGS- OCH BRUKSANVISNING  
Svenska



**PRO-B2 / 1-015-455**



**PRO-B3 / 1-015-457**

SV

# Innehållsförteckning

<b>1. Om monterings- och bruksanvisningen</b>	<b>5</b>
<b>2. Viktig säkerhetsinformation</b>	<b>6</b>
2.1. Ändamålsenlig användning	6
2.2. Säkerhetsanvisningar för installatören	7
2.3. Säkerhetsanvisningar för användaren	8
<b>3. Produktbeskrivning</b>	<b>9</b>
3.1. Leveransomfattning	9
3.2. Tillbehör	9
3.3. Funktioner	9
3.4. Driftsätt	10
3.5. Driftsätt givare	11
<b>4. Montering</b>	<b>13</b>
4.1. Montera styrenhet	13
4.2. Montera aggregatgivare F1 med övertemperaturskydd	15
4.3. Bänkgivare F2 (tillval)	16
4.4. Montera fukt-temperaturgivare FTS2 (tillval, endast PRO B3)	16
<b>5. Elanslutning</b>	<b>17</b>
5.1. Ansluta försörjningsledning, aggregat och förångare	18
5.2. Ansluta belysning	18
5.3. Ansluta fläkt (tillval, endast PRO B3)	18
5.4. Ansluta effektförstärkning (tillval)	19
5.5. Ansluta aggregatgivare F1	19
5.6. Ansluta bänkgivare F2 (tillval)	19
5.7. Ansluta fukt-temperaturgivare FTS2 (tillval, endast PRO B3)	19
5.8. Ansluta säkerhetsavstängning/dörrsensor	20
5.9. Fjärrstart	20
5.10. Ansluta installationen	20

<b>6. Genomföra kontroller</b>	<b>21</b>
<b>7. Kopplingsschema</b>	<b>22</b>
<b>8. Driftstart</b>	<b>24</b>
8.1. Ställa in funktionsomkopplare.....	24
8.2. Ställa in värme-tidsbegränsning.....	24
8.3. Aktivera/avaktivera separat fasstyrning.....	25
8.4. Fjärrstart-frigivning.....	25
8.5. Aktivera/avaktivera drift med en givare.....	25
8.6. Aktivera fristående förångardrift (endast PRO B3).....	25
8.7. Visa aggregattemperatur i drift med en givare.....	26
8.8. Inställningar i Teknikermenyn.....	26
<b>9. Användning</b>	<b>27</b>
9.1. Kontrollelement PRO B2 .....	27
9.2. Kontrollelement PRO B3.....	28
9.3. Slå på belysningen.....	28
9.4. Slå på styrenheten.....	29
9.5. Starta bastudriften.....	29
9.6. Starta kombidrift (endast PRO B3).....	30
9.7. Aktivera standby för fjärrstyrning.....	31
9.8. Ställa in timer.....	32
9.9. Avbryta timer.....	33
9.10. Avbryta eftertorkningsprogram (endast PRO B3).....	33
9.11. Stänga av bastudrift.....	33
9.12. Stänga av styrenheten.....	33

<b>10.Rengöring och underhåll</b>	<b>34</b>
10.1. Rengöring.....	34
10.2. Underhåll.....	34
<b>11.Avfallshantering</b>	<b>34</b>
<b>12.Problemlösning</b>	<b>35</b>
12.1. Felmeddelanden.....	35
12.2. Indikering för vattenbrist (endast PRO B3).....	36
12.3. Säkringar.....	36
<b>13.Tekniska data</b>	<b>37</b>

# 1. Om monterings- och bruksanvisningen

Läs hela monterings- och bruksanvisningen noga och förvara den sedan i närheten av bastystyrenheten. Du kan då när som helst läsa de specifika säkerhets- och användningsanvisningarna.



Den här monterings- och bruksanvisningen kan även laddas ner från vår webbsida, [www.sentiotec.com/downloads](http://www.sentiotec.com/downloads).

## **Symboler och varningar**

I den här monterings- och bruksanvisningen används olika varningssymboler vid avsnitt som beskriver situationer som kan medföra fara eller risker av olika slag. Dessa varningar ska alltid beaktas. På så sätt undviker man sakskador och personskador, som i värsta fall kan ha dödlig utgång.

Följande signalord används:



### **FARA!**

Om de här varningarna/anvisningarna inte följs leder det till allvarliga eller livsfarliga skador.



### **WARNING!**

Om de här varningarna/anvisningarna inte följs kan det leda till allvarliga eller livsfarliga skador.



### **FÖRSIKTIGHET!**

Om de här varningarna/anvisningarna inte följs kan det leda till lindriga skador.

### **WARNING!**

Varnar för sakskador.

## **Övriga symboler**



Används vid tips och nyttig information.

## 2. Viktig säkerhetsinformation

Styrenheten PRO B2/PRO B3 har konstruerats och tillverkats enligt vedertagna säkerhetstekniska regler. Det kan ändå uppstå vissa risker under användningen. Följ alltid nedanstående säkerhetsanvisningar och observera de särskilda varningarna i resp. kapitel. Observera även säkerhetsanvisningarna till anslutna apparater.

### 2.1. Ändamålsenlig användning

Styrenheten PRO B2/PRO B3 ska endast användas för att styra och reglera funktionerna enligt tekniska data.

Styrenheten PRO B2/PRO B3 får endast användas till att reglera ett bastuaggregat som har klarat ett övertäckningstest enligt 19.101 i EN 60335-2-53. Om man inte kan uppfylla det här villkoret med aggregatet måste man vidta lämpliga säkerhetsförebyggande åtgärder (t.ex. Ansluta säkerhetsavstängning/dörrsensor, se **5.8 på sidan 20**).

Styrenheten PRO B2/PRO B3 får endast användas för att styra och reglera 3 värmekretsar med en värmeeffekt på max. 3,5 kW per värmekrets. Max. förångareffekt (endast PRO B3) är 3,5 kW.

All annan användning betraktas som ej ändamålsenlig. Ej ändamålsenlig användning kan leda till skador på produkten och innebära risk för allvarliga eller livsfarliga skador.



## 2.2. Säkerhetsanvisningar för installatören

- Montering/installation får endast utföras av elektriker.
- Arbeten på bastustyrenheten får endast genomföras i spänningslöst tillstånd.
- På plats ska en allpolig fränkskiljare med komplett avstängning enligt överspänningskategori III installeras.
- Bastustyrenheten ska monteras utanför bastun på ca 1,70 meters höjd eller enligt rekommendationen från bastuns tillverkare. Omgivningstemperaturen måste ligga inom området -10 °C till 40 °C.
- Aggregatgivaren ska monteras så att den inte påverkas av inströmmande luft.
- Elkabeln till aggregatet måste ha en kabelarea på minst 2,5 mm<sup>2</sup> och vara temperaturbeständig upp till 150 °C.
- Följ gällande lokala bestämmelser.
- Om det uppstår problem som inte beskrivs tillräckligt detaljerat i monteringsanvisningarna, vänd dig, för din egen säkerhets skull, till leverantören/återförsäljaren.

## 2.3. Säkerhetsanvisningar för användaren

- Barn under 8 år får inte använda bastustyrenheten.
- Under följande förutsättningar får bastustyrenheten användas av barn över 8 år, av personer med nedsatt psykisk, sensorisk eller mental förmåga och av personer som saknar erfarenhet och kunskap med/om liknande utrustningar:
  - under uppsikt.
  - när de har instruerats om säker användning och känner till vilka risker som kan uppstå.
- Barn får inte leka med bastustyrenheten.
- Barn under 14 år får endast rengöra bastustyrenheten under uppsikt.
- Av hälsoskäl bör man inte bada bastu när man är påverkad av alkohol, läkemedel eller droger.
- Kontrollera att det inte finns några brännbara föremål på bastuaggregatet innan bastustyrenheten slås på.
- Kontrollera att det inte finns några brännbara föremål på bastuaggregatet innan du aktiverar timerfunktionen eller standby-läget för fjärrstart.
- Om det uppstår problem som inte beskrivs tillräckligt detaljerat i bruksanvisningen, vänd dig, för din egen säkerhets skull, till leverantören/återförsäljaren.

## 3. Produktbeskrivning

### 3.1. Leveransomfattning

- Styrenhet (beroende på utförande PRO B2/PRO B3)
- Aggregatgivare med integrerat övertemperaturskydd
- Monteringsmaterial

### 3.2. Tillbehör

- Bänkgivare (1-009-231/O-F2)
- Fukt-temperaturgivare (1-010-081/O-FTS2)
- Foliegivare (1-014-445/P-ISX-FF)
- Effektförstärkning (1-008-779/O-S2-18, 1-009-280/O-S2-30)
- Vippbrytare (SFE-xxxxx)
- Dörrsensor Home (1-052-723 / SAB00103)
- MySentio Wifi (1-053-313/S-WIFI01)
- MySentio Remote (1-053-314/S-WIFI02)

### 3.3. Funktioner

#### **PRO B2**

Styrenheten PRO B2 har följande funktioner:

- Reglering av bastuaggregat på upp till 10,5 kW i ett temperaturområde på mellan 30 °C och 110 °C.
- Med en effektförstärkning kan max. bryteffekt ökas från 10,5 kW till 18 kW eller 30 kW.
- Till-/bortkoppling av en bastubelysning (upp till 100 W)
- Fjärrstartfunktion
- Dörrövervakning
- Timer (upp till 24 timmar)
- Automatisk tidsgräns för uppvärmning  
Styrenheten stängs av automatiskt när max. uppvärmningstid har löpt ut. Max. uppvärmningstid kan ställas in till 6 h, 12 h, 18 h eller 24 h.

- Övertemperaturskydd  
Övertemperatursäkringens sitter i huset på aggregatgivaren. Om bastuaggregatet fortsätter att värma efter att inställd temperatur har nåtts, stänger övertemperaturskyddet av bastuaggregatet automatiskt vid cirka 139 °C.

### **PRO B3**

Funktioner som på PRO B2, men dessutom:

- Reglering av kombiaggregat med upp till 10,5 kW effekt och upp till 3,5 kW ångeffekt i ett temperaturområde från 30 °C till 110 °C och ett fuktighetsområde från 5 till 100 %
- Eftertorkningsprogram  
Efter kombidriften startar eftertorkningsprogrammet automatiskt, för att förhindra att mögel och röta bildas i bastukabinen. Med fläkten igång värms bastun upp till 80 °C.  
Valbar längd är från AV till 60 minuter.

## **3.4. Driftsätt**

Styrenheten PRO B2 möjliggör bastudrift. Styrenheten PRO B3 har två driftsätt, bastu- och kombidrift.

### **Bastudrift**

I bastudrift skapas det torr värme. Temperaturen i bastun är hög (80 till 100 °C). Fukthalten är låg, max. 10 %.

### **Kombidrift (endast PRO B3)**

I kombidrift är både bastuaggregatet och förångaren i drift. Temperaturen i bastun är lägre (ca 40 till 65 °C) än i bastudrift, men den relativa luftfuktigheten är betydligt högre, från 35 % till 70 %. Max. inställningsbar fuktighet beror på bastutemperaturen. Ju högre bastutemperatur, desto lägre max. inställningsbart fuktvärde (se kurva på sidan 11)

### 3.5. Driftsätt givare

Styrenheten kan drivas med en eller två givare. Som andra givare kan en temperaturgivare (bänkgivare, F2) eller en fukt-temperaturgivare (FTS2, endast PRO B3) användas.

#### ***Drift med en givare (F1)***

Drift med en givare måste aktiveras via funktionsomkopplare (se **8.5. Aktivera/avaktivera drift med en givare på sidan 25**).

Vid drift med en givare drivs bastustyrenheten endast med aggregatgivaren med övertemperaturskydd (F1). Den ingår i leveransomfattningen.

I drift med en givare visar styrenheten som standard bara avsedd temperatur. Är-temperatur visas inte. När styrenheten ska visa temperaturen över aggregatet i drift med en givare (F1-givare) som är-temperatur måste detta aktiveras vid idrifttagningen (se **8.7. Visa aggregattemperatur i drift med en givare på sidan 26**).

**endast PRO B3:** Det maximalt inställningsbara fuktvärdet riktar sig efter temperaturen ovanför aggregatet och fuktigheten justeras efter temperaturen. I displayen på styrenheten visas bara börvärdet för fuktighet (i % relativ fuktighet). Den faktiska fuktigheten i bastun beror på bastuns storlek och förångarens effekt och kan avvika från inställt börvärde.

#### ***Drift med två givare (F2)***

Drift med två givare är aktiverad från fabrik.

Vid drift med två givare monteras en andra temperaturgivare (bänkgivare) ovanför den bakre bastubänken. Bastustyrenheten visar temperaturen från bänkgivaren som faktisk temperatur.

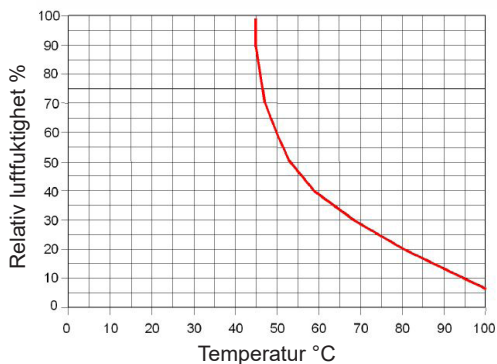
**endast PRO B3:** Vid drift med två givare med bänkgivare är fuktigheten justerad. På bastustyrenhetens display visas bara börvärdet för fuktighet (i % relativ fuktighet). Den faktiska fuktigheten i bastun beror på bastuns storlek och förångarens effekt och kan avvika från inställt börvärde.

**endast PRO B3:****Drift med två givare med fukt-temperaturgivare (FTS2)**

Drift med två givare är aktiverad från fabrik.

Vid drift med två givare med en fukt-temperaturgivare visar baststyrenheten temperaturen från fukt-temperaturgivaren som faktisk temperatur.

Vid drift med två givare med en fukt-temperaturgivare regleras förångaren efter uppmätt fuktighet i bastun. På baststyrenhetens display visas bara börvärdet för fuktighet i bastun (i % relativ fuktighet).



EN 60335-2-53:2011; temperaturkurva/relativ luftfuktighet för korrekt användning.

## 4. Montering

### 4.1. Montera styrenhet

---

**WARNING!****Skador på enheten**

Bastustyrenheten är skyddad mot stänkvatten, men apparaten kan skadas vid direkt kontakt med vatten.

- Montera bastustyrenheten på ett torrt ställe där max. luftfuktigheten aldrig överskrider 95 %.

---

**OBS!****Störningskällor kan påverka signalöverföringen**

- Dra alla givarledningarna separat från andra nätledningar och styrledningar.
- Skydda enkelisolerade kablar med ett rör (dubbel isolering).

Observera följande punkter vid montering av bastustyrenheten:

- Bastustyrenheten ska monteras utanför bastun eller enligt rekommendationen från bastuns tillverkare.
- Omgivningstemperaturen måste ligga inom området -10 °C till 40 °C.
- Alla givare får endast anslutas med de bifogade givarledningarna, som är temperaturbeständiga upp till 150 °C.

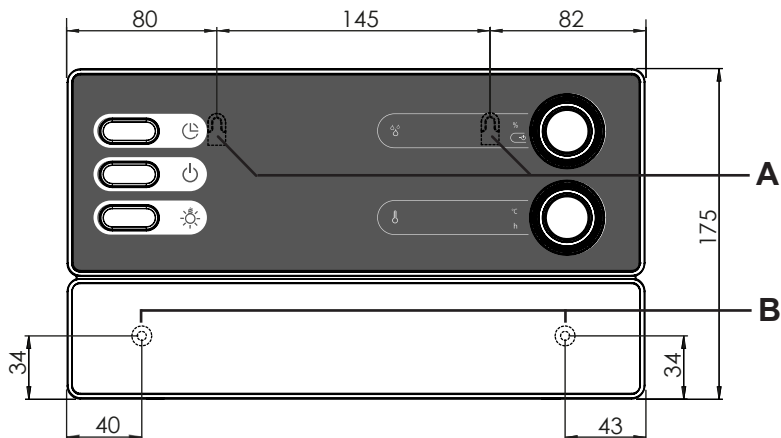


Givarledningarna får endast förlängas under följande förutsättningar:

- En värmebeständig (upp till 150 °C) silikonkabel används.
  - Min. kabelarea är 0,5 mm<sup>2</sup>.
  - Aggregatgivarledningarna får INTE vara längre än 10 m.
-

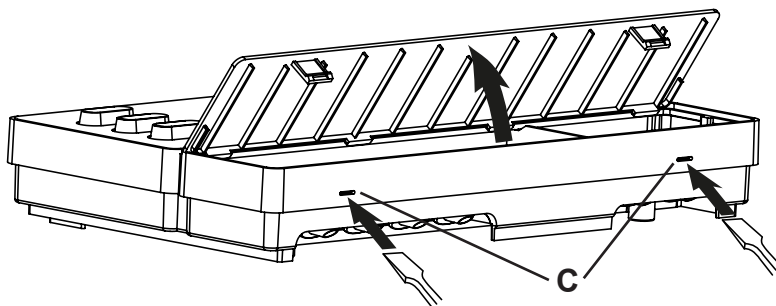
Genomför följande steg för att montera bastustyrenheten:

1. Skruva in två stjärnskruvar (16 mm) på ca 1,70 m höjd i bastuväggen tills 7 mm sticker ut. De båda skruvarna måste ha ett avstånd på 145 mm till varandra (se **Bild1**).



**Bild1** Position på upphängningsanordningen och monteringshålen (mått i mm)

2. Tryck in klämlåsen **C** med en skruvmejsel och ta av locket (se **Bild2**).
3. Häng upp bastustyrenheten i upphängningsanordningen **A** på de inskruvade skruvarna (se **Bild1**).
4. Skruva in två stjärnskruvar (16 mm) i de nedre hålen **B** (se **Bild1**).



**Bild2** Ta av locket



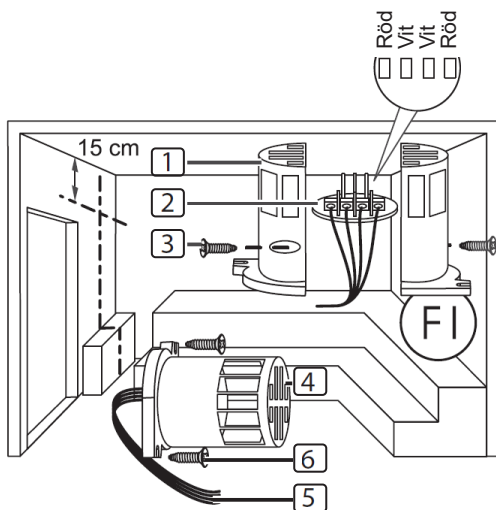
## 4.2. Montera aggregatgivare F1 med övertemperaturskydd

Observera följande punkter vid montering av aggregatgivaren:

- Aggregatgivaren ska monteras på aggregatets baksida ovanför mitten av aggregatet. Den måste sitta minst 15 cm från bastuns tak.
- Aggregatgivaren ska monteras så att den inte påverkas av inströmmande luft.

Genomför följande steg för att montera aggregatgivaren (se **Bild3**):

1. Dra de båda 2-poliga aggregatgivarledningarna genom bastuväggen till aggregatgivarens monteringsplats och fixera ledningen med kabelklämmor.
2. Sära på halvskalen **1** till aggregatgivaren.
3. Kläm fast de fyra anslutningarna på aggregatgivarledningarna **5** enligt **Bild3**.
4. Lägg anslutningsplattan **2** på tvären (enligt **Bild3**) i aggregatgivarens halvskal.
5. Stäng halvskalen och fixera med de båda stjärnskruvarna **3** (9 mm) och kontrollera att aggregatgivaren sitter fast ordentligt.
6. Montera aggregatgivaren på aggregatets baksida med de båda bifogade träskruvarna **6** (16 mm).



- 1** Aggregatgivarens halvskal
- 2** Anslutningsplatta
- 3** Stjärnskruvar (9 mm)
- 4** Aggregatgivare
- 5** Kablar till aggregatgivare
- 6** Träskruvar (16 mm)

**Bild3** Montering av ugnsgivare

### **4.3. Bänkgivare F2 (tillval)**

Bänkgivaren ska monteras på bastuväggen ovanför den bakre bastubänken. Den måste sitta minst 15 cm från bastuns tak.

Genomför följande steg för att montera bänkgivaren:

1. Dra den 2-poliga bänkgivarledningen genom bastuväggen till bänkgivarens monteringsplats och fixera ledningen med kabelklämmor.
2. Sära på halvskalen till bänkgivaren.
3. Kläm fast bänkgivarledningarnas båda anslutningar på anslutningsplattans båda mellersta klämmor.
4. Lägg anslutningsplattan på tvären i bänkgivarens halvskal.
5. Stäng halvskalen och fixera med de båda stjärnskruvarna (9 mm).
6. Kontrollera att bänkgivaren sitter fast ordentligt.
7. Montera bänkgivaren på bastuväggen med de båda bifogade träskruvarna (16 mm). Avståndet till bastuns tak ska vara minst 15 cm.

### **4.4. Montera fukt-temperaturgivare FTS2 (tillval, endast PRO B3)**

Fukt-temperaturgivaren ska monteras på bastuväggen ovanför den bakre bastubänken. Avståndet till bastuns tak ska vara minst 15 cm.

Genomför följande steg för att montera fukt-temperaturgivaren:

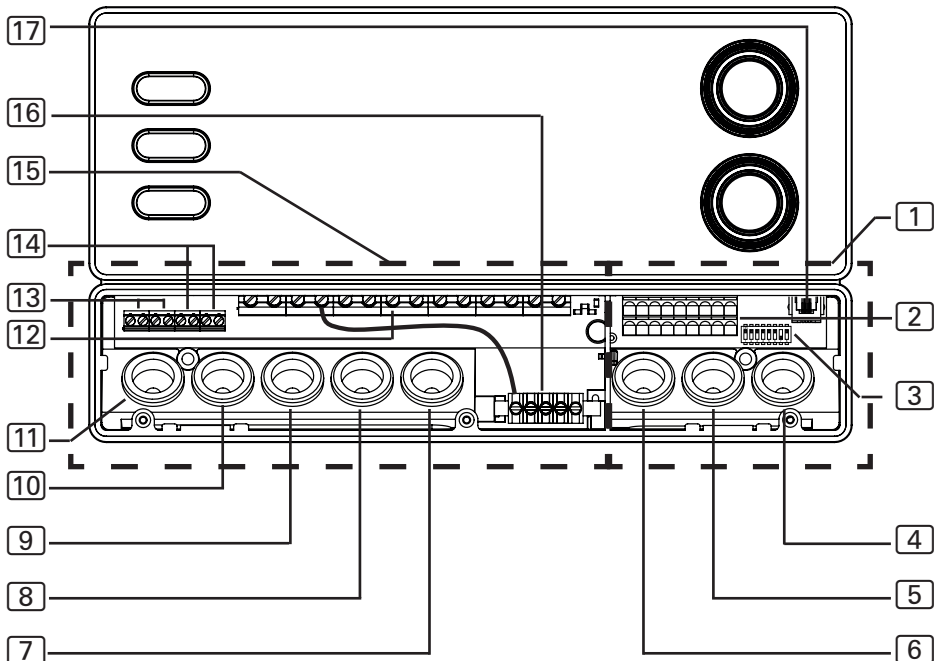
1. Dra den 5-poliga fukt-temperaturgivarledningen genom bastuväggen till fukt-temperaturgivarens monteringsplats och fixera ledningen med kabelklämmor.
2. Montera fukt-temperaturgivaren på bastuväggen med de båda bifogade träskruvarna (16 mm). Avståndet till bastuns tak ska vara minst 15 cm.

## 5. Elanslutning

### OBS!

#### Skador på enheten

- Bastustyrenheten får endast användas för att styra och reglera 3 värmekretsar med en värmeeffekt på max. 3,5 kW per värmekrets. Max. förångareffekt (endast PRO B3) är 3,5 kW.



- |   |   |
|---|---|
| 1 Anslutningsområde för lågspänning                                     | 9 Kabelgenomföring för försörjningsledning                        |
| 2 Kopplingslist för säkerhetsavstängning, fjärrstart och givarledningar | 10 Kabelhål för effektförstärkning                                |
| 3 Funktionsomkopplare   | 11 Kabelhål för belysning och fläkt                               |
| 4 Kabelhål för F2- och FTS2-givare                                      | 12 Kopplingslist för aggregat-, förångar- och försörjningsledning |
| 5 Kabelhål för F1-givare  | 13 Kopplingsplint för belysning och fläkt                         |
| 6 Kabelgenomföring för säkerhetsavstängning och fjärrstart              | 14 Kopplingsplint för effektförstärkning                          |
| 7 Kabelhål för förångarledning  | 15 Anslutningsområde för 230 V/400 V                              |
| 8 Kabelgenomföring för aggregatledning                                  | 16 Jordledning  |
|   | 17 RJ45-uttag för RS485 och MySento Wifi                          |

Observera följande punkter vid elektrisk anslutning av bastustyrenheten:

- Montering/installation får endast utföras av elektriker.
- Arbeten på bastustyrenheten får endast genomföras i spänningslöst tillstånd.



Observera: Vid garantianspråk ska en kopia på fakturan från den elektriker som har utfört arbetet bifogas.

- Den elektriska anslutningen måste vara en fast anslutning.
- På plats ska en allpolig fränkskyltare med komplett avstängning enligt över-spänningskategori III installeras.
- Observera elschemat **Bild4** på sidan **22** eller **Bild5** på sidan **23**.

### 5.1. Ansluta försörjningsledning, aggregat och förångare

1. Dra försörjningsledningen, aggregat- och förångarledningen (endast PRO B3) genom hålen **9**, **8**, **7** till anslutningsområdet för 230 V/400 V **15**.
2. Anslut ledningen enligt elschemat på kopplingsplinten **12** . Observera bruksanvisningen till respektive apparat.
3. Om förångaren inte har en automatisk avstängning för vattenbrist ska dessutom följande steg genomföras:
  - Anslut den bifogade trådbygeln från klämma "V1" till klämma "Wm".

### 5.2. Ansluta belysning

1. Dra belysningsledningen genom hålet **11** till anslutningsområdet för 230 V/400 V **15**.
2. Anslut belysningsledningen enligt elschemat på kopplingsplinten **13** . Observera bruksanvisningen till respektive apparat.

### 5.3. Ansluta fläkt (tillval, endast PRO B3)

1. Dra fläktledningen genom hålet **11** till anslutningsområdet för 230 V/400 V **15**.
2. Anslut fläktledningen enligt elschemat på kopplingsplinten **13**. Observera bruksanvisningen till respektive apparat.

## 5.4. Ansluta effektförstärkning (tillval)

1. Dra ledningen för effektförstärkning genom hålet [10] till anslutningsområdet för 230 V/400 V [15].
2. Anslut ledningen för effektförstärkning enligt elschemat på kopplingsplinten [14]. Använd klämma "ST1" för säkerhetskretsen och klämma "ST2" för styrkretsen. Observera bruksanvisningen till respektive apparat.

## 5.5. Ansluta aggregatgivare F1

1. Dra aggregatgivarens anslutningskabel genom hålet [5] till anslutningsområdet för lågspänning [1].
2. Anslut de röda aggregatgivarledningarna till klämmorna med texten "STB" på kopplingsplinten [2].
3. Anslut de vita aggregatgivarledningarna till klämmorna med texten "F1" på kopplingsplinten [2].

## 5.6. Ansluta bänkgivare F2 (tillval)

1. Dra bänkgivarens ledningar genom hålet [4] till anslutningsområdet för lågspänning [1].
2. Anslut bänkgivarens ledningar till klämmorna med texten "F2" på kopplingsplinten [2].

## 5.7. Ansluta fukt-temperaturgivare FTS2 (tillval, endast PRO B3)

1. Dra givarens ledningar genom hålet [4] till anslutningsområdet för lågspänning [1].
2. Anslut temperaturgivarens ledningar till klämmorna med texten "F2" på kopplingsplinten [2].
  - a. den svarta ledningen till den högra klämman.
  - b. den bruna ledningen till den vänstra klämman.
3. Anslut fuktgivarens ledningar till klämmorna med texten "+ S -" på kopplingsplinten [2].
  - c. den gröna ledningen till klämman "+".
  - d. den orangefärgade ledningen till klämman "S".
  - e. den röda ledningen till klämman "-".

## 5.8. Ansluta säkerhetsavstängning/dörrsensor

Enligt EN 60335-2-53 får bastustyrenheter med fjärrstyrning endast användas för bastuaggregat som har genomgått och klarat ett övertäckningstest enligt avsnitt 19.101. Alternativt kan en säkerhetsavstängning (t.ex. vippbrytare)/dörrsensor installeras. De stänger av aggregatet när föremål (t.ex. en handduk) ligger på aggregatet eller om bastudörren öppnas.

Genomför följande steg för att montera säkerhetsavstängningen:

1. Montera säkerhetsavstängningen enligt apparatens bruksanvisning.
2. Dra säkerhetsavstängningens anslutningskabel genom hålet **[6]** till anslutningsområdet för lågspänning **[1]**.
3. Anslut ledningarna till klämmorna med texten **"OSG"** på kopplingsplinten **[2]**.



Om ingen säkerhetsavstängning monteras, måste en trådbygel monteras på anslutningarna med texten **"OSG"**.

## 5.9. Fjärrstart

Anslutningen ska göras via klämmorna **"S"**, **"B"** och **"C"**. **"S"** står för bastudrift och **"C"** för förångardrift. **"B"** är en +24 V DC-utgång. Den måste kopplas via en brytare eller aktuator till anslutningen för önskad drifttyp.

## 5.10. Ansluta installationen

1. Anslut försörjningsledningens skyddsledning och alla apparater till jordledningen **[16]**.
2. Sätt på locket på den övre randen på anslutningsboxen.
3. Tryck in klämlåsen lätt och tryck ner locket tills det klickar fast.

## 6. Genomföra kontroller

Följande kontroller måste genomföras av en behörig elektriker.



### **VARNING!**

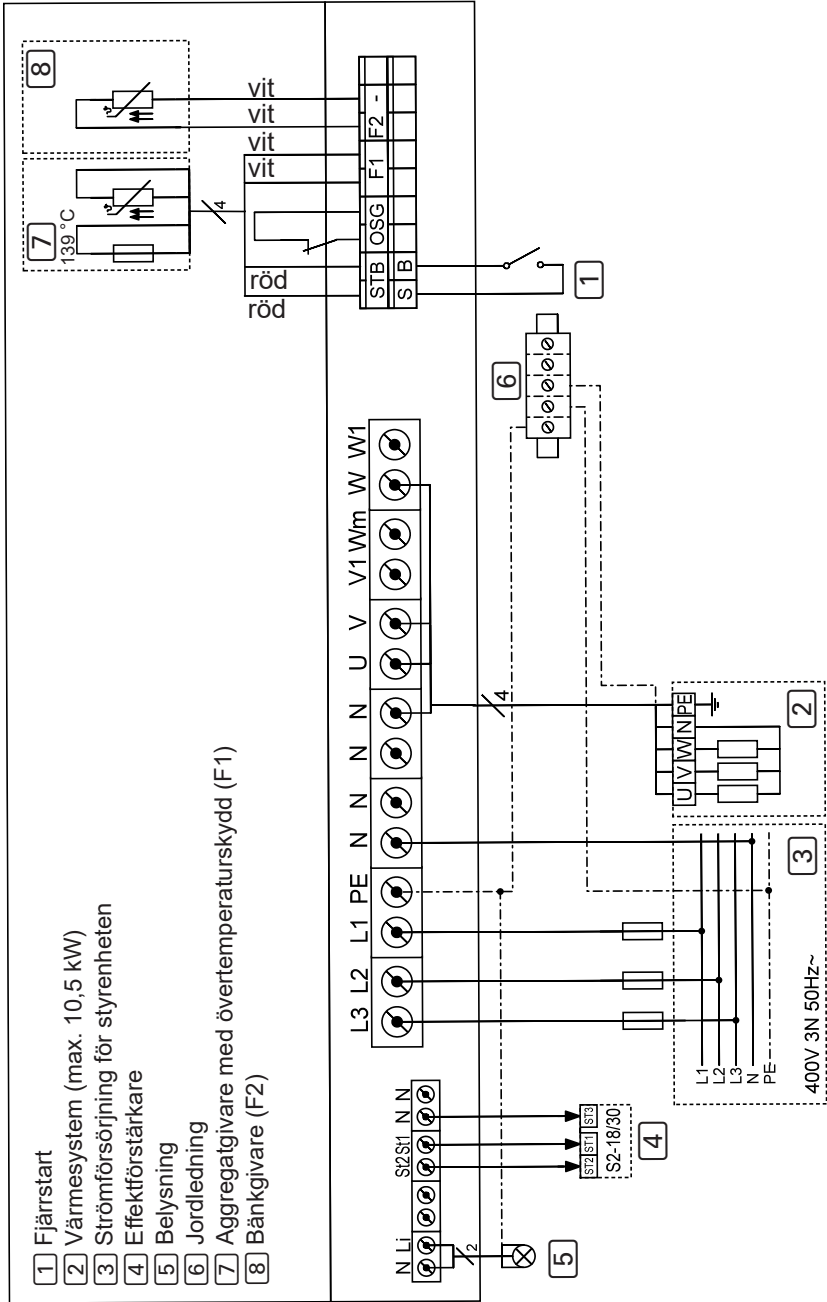
**Följande kontroller genomförs med strömmen påslagen. Risk för strömstötar.**

- Vidrör ALDRIG spänningsförande delar.

1. Kontrollera jordledningarnas kontakt på skyddsledaranslutningen.
2. Kontrollera aggregatgivarens F1 övertemperaturskydd.
  - a. Slå på bastustyrenheten.
  - b. Öppna aggregatgivaren och koppla bort en av de två röda givarkablarna.
    - ▶ På den övre displayen visas "Err", på den nedre displayen visas "02" och styrenheten stänger av aggregatet.
  - c. Stäng av bastustyrenheten.
  - d. Anslut den röda aggregatgivarledningen igen.
  - e. Koppla nu bort en av de vita givarkablarna.
  - f. Slå på bastustyrenheten.
    - ▶ På den övre displayen visas "Err", på den nedre displayen visas "04F1" och styrenheten stänger av aggregatet.
  - g. Stäng av bastustyrenheten.
  - h. Anslut den vita aggregatgivarledningen igen.
3. Kontrollera fasgenomkopplingen för bastu-driften L1, L2, L3 till U, V, W.
4. Kontrollera max. tillåten värmeeffekt för bastustyrningen, 3,5 kW för varje fas.
5. Endast PRO B3: Kontrollera fasgenomkopplingen för förångar-driften L1, L2, L3 till U, V1, W.
6. Vid alternativ effektförstärkning
  - a. Kontrollera styrledningarna ST1, ST2 och ST3.
  - b. Kontrollera max. tillåten värmeeffekt på effektförstärkningen S2-18, 3 kW på varje fas.
  - c. Kontrollera max. tillåten värmeeffekt för effektförstärkningen S2-30, 7 kW för varje fas.

# 7. Kopplingschema

**Bild4 Kopplingschema PRO B2**





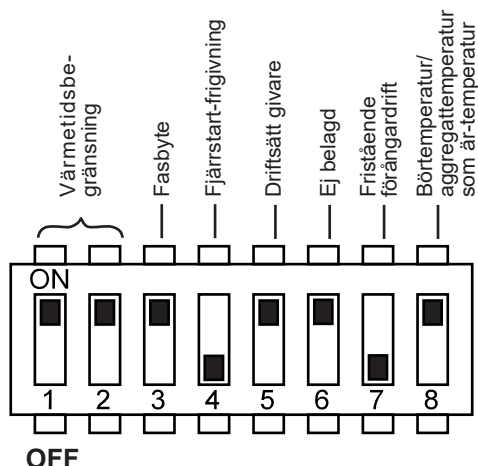


## 8. Driftstart

### 8.1. Ställa in funktionsomkopplare

Olika produktfunktioner kan aktiveras via funktionsomkopplaren i anslutningsområdet för lågspänning. Bilden till höger visar standardinställningen på funktionsomkopplaren.

Observera att styrningen måste stängas av i 10 sek. efter ändringar för att kunna spara inställningar.



**Bild6 Funktionsomkopplare - standardinställning**

### 8.2. Ställa in värme-tidsbegränsning

Max. uppvärmningstid är som standard inställd till 6 h. Styrenheten stängs av automatiskt när max. uppvärmningstid har löpt ut.

Funktionsomkopplaren i anslutningsområdet för lågspänning kan användas för att ställa in max. uppvärmningstid till 12 h, 18 h eller 24 h. Information om hur funktionsomkopplaren ska ställas in för detta hittar du i tabellen till höger.

<i>Funktionsomkopplare</i>	1	2
6 h	ON	ON
12 h	OFF	ON
18 h	ON	OFF
24 h	OFF	OFF



EN 60335-2-53 definierar en tidsgräns för uppvärmning på 6 h för privata bastur. För bastur i hotell, flerfamiljshus och liknande platser kan en tidsgräns för uppvärmning på 12 h tillämpas. Endast för offentliga bastur kan tidsgränsen för uppvärmning förlängas till 18 h eller 24 h.

### 8.3. Aktivera/avaktivera separat fasstyrning

Separat fasstyrning aktiveras/avaktiveras via funktionsomkopplaren **3**.

- Som standardinställning står funktionsomkopplaren **3** i ON-läge. Separat fasstyrning är därmed aktiverat.
- Om man vill avaktivera separat fasstyrning ska funktionsomkopplaren **3** ställas i OFF-läge.

### 8.4. Fjärrstart-frigivning

Med hjälp av funktionsomkopplaren **4** kan man välja funktionen Fjärrstartsutgång (observera EN60335-2-53).

- Som standardinställning står funktionsomkopplaren **4** i OFF-läge. Fjärrstarten aktiveras med hjälp av "Standby för fjärrstyrning".
- Om du vill aktivera fjärrstartsutgången för olika enheter (som t.ex. myntkastet, fjärrstartsystemet, dörrövervakningen) ställer du funktionsomkopplaren **4** i ON-läge.

### 8.5. Aktivera/avaktivera drift med en givare

Vid drift med en givare drivs styrenheten endast med aggregatgivaren med övertemperaturskydd (F1-givare). Drift med en givare måste aktiveras med funktionsomkopplaren **5**.

- Som standardinställning står funktionsomkopplaren **5** i ON-läge. Drift med två givare är därmed aktiverad.
- Om man vill aktivera drift med en givare ska funktionsomkopplaren **5** ställas i OFF-läge.

### 8.6. Aktivera fristående förångardrift (endast PRO B3)

Från fabrik kan man endast ta förångaren i drift tillsammans med värmesystemet. För att driva förångaren fristående utan värmesystem måste fristående förångardrift aktiveras med funktionsomkopplaren **7**.

- Som standardinställning står funktionsomkopplaren **7** i OFF-läge. Fristående förångardrift är därmed aktiverad.
- Om man vill aktivera fristående förångardrift ska funktionsomkopplaren **7** ställas i ON-läge.

## 8.7. Visa aggregattemperatur i drift med en givare

I drift med en givare visar styrenheten som standard bara avsedd temperatur. År-temperatur visas inte. När styrenheten ska visa temperaturen över aggregatet i drift med en givare (F1-givare) som år-temperatur, måste detta aktiveras med funktionsomkopplaren **8**.

- Som standardinställning står funktionsomkopplaren **8** i ON-läge. Nu visas endast börtemperaturen.
- Om temperaturen över aggregatet ska visas som år-temperatur, ställ funktionsomkopplaren **8** i OFF-läge.



Observera att temperaturen över aggregatet alltid är högre än vid bastubänkarna. Med aggregattemperatur som år-temperatur kommer temperaturen som styrenheten visar vara högre än temperaturen på kabintermometern.

## 8.8. Inställningar i Teknikermenyn

### Öppna Teknikermenyn

I Teknikermenyn kan fler inställningar göras. Gör som följande för att komma till Teknikermenyn:

1. Styrenheten måste vara avstängd
2. Tryck samtidigt på på/av-knappen **6**, timer-knappen **7** och temperaturväljaren **3**.
  - ▶ på den övre displayen **1** visas "SEtt"
3. Tryck på temperaturväljaren **3** för att gå till önskad inställning

### Ställa in eftertorkningsprogrammets löptid (endast PRO B3)

Eftertorkningsprogrammets maximala löptid är som standard inställd på 60 min. Genomför följande steg om du vill ändra denna inställning:

1. Öppna Teknikermenyn
  - ▶ på den övre displayen **1** visas "dry"
  - ▶ På den nedre displayen **4** visas "t30"
2. Ställ in önskat värde med temperaturväljaren **3**: (alternativ 0–60; 0 = eftertorkningsprogrammet avstängt; 60 = maximal löptid i minuter)

**Aktivera säkerhetsavstängning/dörrsensor**

- Öppna Teknikermenyn (se **26**)
  - ▶ på den övre displayen **1** visas "SdO"
  - ▶ På den nedre displayen **4** visas "SAFE" (=standardinställning)
- Ställ in önskat värde med temperaturväljaren **3**:
  - "SAF" innebär SAFE - säkerhetsavstängningen är aktiverad (standard)
  - "dor" innebär DOOR – dörrsensorn är aktiverad

**Spara inställningarna och stänga Teknikermenyn**

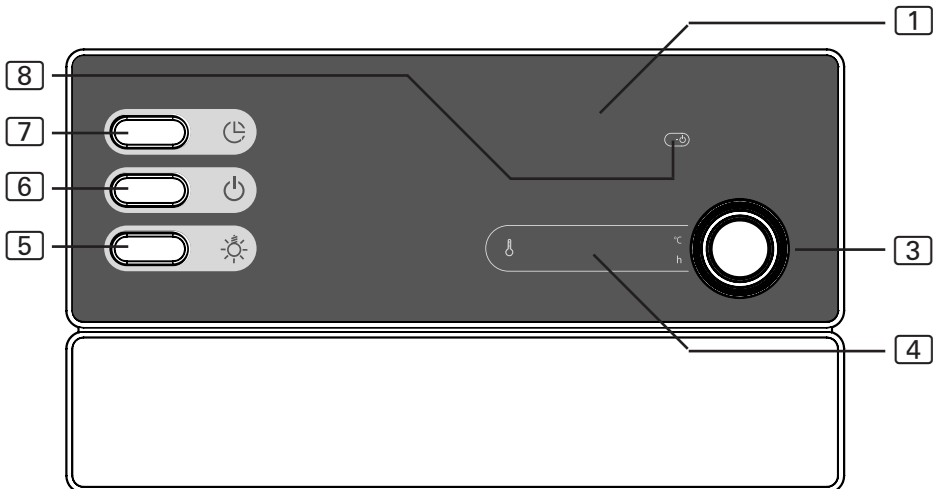
Tryck på temperaturväljaren **3** i ca 3 sekunder.

**Kontrollera programvaruversion**

- Tryck på PÅ-/AV-knappen **6** för att stänga av styrenheten
- Tryck samtidigt på timer-knappen **7** och temperaturväljaren **3** i 5 sekunder
  - ▶ på den övre displayen **1** visas programvaruversionen "5.00.5"

## 9. Användning

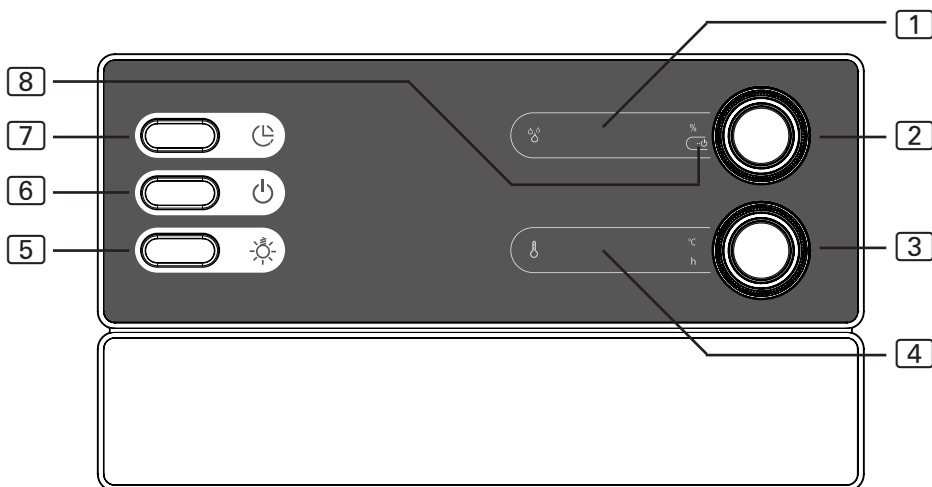
### 9.1. Kontrollelement PRO B2



SV

- |                            |                             |
|----------------------------|-----------------------------|
| <b>1</b> Extradisplay      | <b>5</b> Belysningsknapp    |
| <b>2</b> -                 | <b>6</b> PÅ/AV-knapp        |
| <b>3</b> Temperaturväljare | <b>7</b> Timer-knapp        |
| <b>4</b> Temperaturdisplay | <b>8</b> Fjärrstart-display |

## 9.2. Kontrollelement PRO B3



1 Fuktdisplay

2 Fuktväljare

3 Temperaturväljare

4 Temperaturdisplay

5 Belysningsknapp

6 PÅ/AV-knapp

7 Timer-knapp

8 Fjärrstart-display

## 9.3. Slå på belysningen

Belysningen i bastun kan slås på/stängas av oberoende av PÅ/AV-knappen **6**.

- Tryck på belysningsknappen **5** för att slå på och stänga av belysningen.

## 9.4. Slå på styrenheten



### **VARNING!**

#### **Brandrisk**

Brännbara föremål som ligger på det varma bastuaggregatet kan antändas och orsaka eldsvåda.

- Lägg ALDRIG brännbara föremål på bastuaggregatet.
- Kontrollera att det INTE finns några brännbara föremål på bastuaggregatet innan bastustyrenheten slås på.

- Tryck på PÅ-/AV-knappen **[6]** för att slå på styrenheten.
  - ▶ På temperaturdisplayen **[4]** visas "0" under några sekunder. Därefter visas den aktuella temperaturen i kabinen. I drift med en givare visas den senast inställda börtemperaturen.
  - ▶ Endast PRO B3: På fuktdisplayen **[1]** visas "0" under några sekunder. Därefter visas den aktuella fukthalten i kabinen. Om ingen fuktgivare har installerats visas det senaste inställda värdet för fukt.

## 9.5. Starta bastudriften

1. Ställ in önskad temperatur med temperaturväljaren **[3]**.
  - ▶ Temperaturväljaren **[3]** blinkar och den inställda börtemperaturen visas på temperaturdisplayen **[4]**.
2. Tryck på temperaturväljaren **[3]**.
  - ▶ Bastuaggregatet slås på och påbörjar uppvärmningen.
  - ▶ På temperaturdisplayen **[4]** visas den aktuella temperaturen i kabinen. I drift med en givare visas börtemperaturen.



Under drift kan du när som helst ändra den inställda börtemperaturen.

- Vrid temperaturväljaren **[3]** åt höger för att höja temperaturen.
- Vrid temperaturväljaren **[3]** åt vänster för att sänka temperaturen.
- ▶ Temperaturväljaren **[3]** blinkar och den inställda temperaturen tillämpas.

## 9.6. Starta kombidrift (endast PRO B3)

1. Ställ in önskad temperatur med temperaturväljaren **3**.
  - ▶ Temperaturväljaren **3** blinkar och den inställda börtemperaturen visas på temperaturdisplayen **4**.
2. Tryck på temperaturväljaren **3**.
  - ▶ Bastuaggregatet slås på och påbörjar uppvärmningen.
  - ▶ På temperaturdisplayen **4** visas den aktuella temperaturen i kabinen. I drift med en givare visas börtemperaturen.
3. Ställ in önskad fukthalt med fuktväljaren **2**.
  - ▶ Fuktväljaren **2** blinkar och den inställda bör-fukthalten visas på fuktdisplayen **1**.
4. Tryck på fuktväljaren **2**.
  - ▶ Förångaren slås på.
  - ▶ På fuktdisplayen **1** visas den aktuella fukthalten i kabinen. Om ingen fuktgivare har installerats visas bör-fukthalt.



---

Om bastustyrenheten används utan fukt-temperaturgivaren (FTS2) är cykeldrift aktiverad. Om bastutemperaturen är lägre än 30 °C är förångaren aktiverad under 10 minuter. Detta sörjer för att vattnet i tanken når en grundtemperatur. Därefter påbörjas taktdriften.

---



---

Förångaren går bara att starta om bastuaggregatet är påslaget. Max. inställningsbar fuktighet beror på bastutemperaturen. Ju högre bastutemperatur, desto lägre max. inställningsbart fuktvärde – se **kurva på 12**.

---

**Undantag:** Fristående förångardrift är aktiverad (se ). Här kan man ta förångaren i drift även utan bastuaggregatet. Dock beror max. fukthalt på den aktuella bastutemperaturen.

---



## 9.7. Aktivera standby för fjärrstyrning

Enligt EN 60335-2-53 måste bastustyrenheter manuellt ställas in på driftläget "Standby för fjärrstyrning" med hjälp av fjärrstartfunktion.



Denna aktivering måste utföras på nytt efter varje fjärrstart och fjärrstopp.

### Vid aktiverad säkerhetsavstängning (standard)

Gör på följande sätt:

1. Tryck på temperaturväljaren [3] och håll den nedtryckt i tre sekunder (Longpress).
  - ▶ Fjärrstart-displayen [8] börjar blinka.
  - ▶ Bastustyrenheten är nu redo för att kunna startas och stoppas via fjärrstartsignal.
  - ▶ Efter fjärrstart eller fjärrstopp slocknar fjärrstart-displayen. Driftsättet måste därefter aktiveras på nytt.

### Vid aktiverad dörrsensor

1. Tryck på temperaturväljaren [3] och håll den nedtryckt i tre sekunder (Longpress).
  - ▶ På den nedre displayen visas nedräkningen från 30 sek. Dörren kan öppnas/stängas så ofta som man vill under den här tiden. Dörren måste vara stängd efter nedräkningen!
  - ▶ Fjärrstart-displayen [8] blinkar
  - ▶ Styrenheten är nu redo för att kunna startas och stoppas via fjärrstartsignal = läget "Standby för fjärrstyrning"

#### Dörren öppnas – på displayen visas varningen "door"

– i läget "Standby för fjärrstyrning":

För att fortsätta med läget måste dörren stängas och varningen kvitteras med Longpress på det nedre vridreglaget. ▶ På displayen visas åter nedräkningen (30Sek.).

– under pågående drift eller frigiven fjärrstartsutgång (för myntinkast eller dörrsensormsystem):

Kvitteringen sker automatiskt när dörren stängs.

## 9.8. Ställa in timer



### **VARNING!**

#### **Brandrisk**

Brännbara föremål som ligger på det varma bastuaggregatet kan antändas och orsaka eldsvåda.

- Lägg **ALDRIG** brännbara föremål på bastuaggregatet.
- Kontrollera att det **INTE** finns några brännbara föremål på bastuaggregatet innan du aktiverar timerfunktionen.

Du kan ställa in tiden för timerfunktionen i steg om 15 minuter. Max. timer är 24 timmar. Den förinställda tiden visas i timmar och minuter. Till exempel visas 8 timmar och 15 minuter som 8.15.

1. Starta bastu-drift eller kombi-drift (se punkt **9.5** och **9.6**)
2. Tryck på timer-knappen **[7]**.
  - ▶ Temperaturväljaren **[3]** blinkar och på temperaturdisplayen **[4]** visas den senast inställda tiden.
3. Tryck på timer-knappen **[7]** för att öka den förinställda tiden i steg om 15 minuter.
4. Vänta några sekunder när önskad tid har ställts in.
  - ▶ Styrenheten övergår till standby-läge och timern går.
  - ▶ På temperaturdisplayen **[4]** visas återstående tid och temperaturväljaren **[3]** blinkar.
  - ▶ När den förinställda tiden har löpt ut startas vald drift.



Den senast inställda tiden på timern sparas så att det senaste värdet kan tillämpas med endast en knapptryckning. För att återställa timerns tidsvärde till 00:00, tryck på timer-knappen i tre sekunder (Longpress)

## 9.9. Avbryta timer

- Tryck på timer-knappen **[7]** i tre sekunder (Longpress) för att avbryta timer-funktionen.
  - ▶ Den inställda tiden på timern avbryts.
  - ▶ På temperaturdisplayen **[4]** visas den aktuella temperaturen i kabinen. I drift med en givare visas börtemperaturen.

## 9.10. Avbryta eftertorkningsprogram (endast PRO B3)

Efter kombidriften startas eftertorkningsprogrammet automatiskt. Med fläkten igång värms bastun upp till 80 °C. (Standard = 30 minuter – beroende på inställning i Teknikermenyn). På temperaturdisplayen **[4]** visas texten "dry".

- Tryck på temperaturväljaren **[3]** i tre sekunder (Longpress) för att avbryta eftertorkningsprogrammet.



För att förhindra att mögel och röta bildas bör eftertorkningsprogrammet INTE avbrytas.

## 9.11. Stänga av bastudrift

- Tryck på temperaturväljaren **[3]**.
  - ▶ Bastuaggregatet stängs av. Efter kombidrift med PRO B3 (minst 3 minuter) startas eftertorkningsprogrammet automatiskt.

## 9.12. Stänga av styrenheten

- Tryck på PÅ-/AV-knappen **[6]** för att stänga av styrenheten.
  - ▶ Fuktdisplayen **[1]** och temperaturdisplayen **[4]** slocknar.
  - ▶ Styrenheten är avstängd.

## 10. Rengöring och underhåll

### 10.1. Rengöring

#### **WARNING!**

#### ***Skador på enheten***

Bastustyrenheten är skyddad mot stänkvatten, men apparaten kan skadas vid direkt kontakt med vatten.

- Doppa **ALDRIG** apparaten i vatten.
- Håll **ALDRIG** vatten över apparaten.
- Rengör inte apparaten med för mycket vatten.

1. Doppa en trasa i mild tvållösning.
2. Vrid ur trasan ordentligt.
3. Torka försiktigt av bastustyrenhetens hölje.

### 10.2. Underhåll

Bastustyrenheten är underhållsfri.

## 11. Avfallshantering



- Ta hand om förpackningsmaterialet enligt gällande bestämmelser.
- Enheterna innehåller både återanvändbart material och skadliga ämnen. Släng inte en uttjänt produkt i hushållssoporna, utan lämna den till återvinning enligt gällande bestämmelser.

## 12. Problemlösning

### 12.1. Felmeddelanden

Bastustyrenheten är utrustad med diagnosmjukvara som kontrollerar systemet vid start och under drift. När diagnosmjukvaran registrerar ett fel stänger bastustyrenheten av bastuaggregatet.

Vid fel ljuder en återkommande varningssignal och fuktväljaren [2] och temperaturväljaren [3] blinkar. På fuktdisplayen [1] visas texten "Err". På temperaturdisplayen [4] visas felnumret.

Stäng av bastustyrenheten med PÅ/AV-knappen [6] och åtgärda felet innan bastustyrenheten slås på igen.

Följande tabell beskriver möjliga fel och deras orsak. Vid behov, informera kundtjänsten om felnumret.

Fel	Beskrivning	Orsak/åtgärd
01	Säkerhetsavstängning	Ett föremål ligger på aggregatet. Ta bort föremålet innan aggregatet tas i drift igen.  Om ingen säkerhetsavstängning har monterats, se <b>5.8 på sidan 20</b> .
02	Säkerhetstemperaturbe- gränsare	Den maximala temperaturen på 139 °C ovanför aggregatet överskreds.
04F1	Fel på aggregatgivaren	Defekt aggregatgivare, dålig kontakt eller kortslutning
06F2	Fel på bänkgivaren	Defekt bänkgivare, dålig kontakt eller kortslutning
07	Fel på fuktgivaren	Defekt fuktgivare, dålig kontakt eller kortslutning
door	Bastudörr öppen	Bastustyrenheten är ansluten till en dörrsensor. Stäng dörren eller kontrollera anslutningarna och inställningarna.

## 12.2. Indikering för vattenbrist (endast PRO B3)

I kombidrift har styrenheten en automatisk avstängning för vattenbrist, såvada kombiaggregatet understöder detta.

Om förångarens vattentank är tom signaleras detta genom en återkommande varningssignal och texten "FILL" visas på fuktdisplayen [1]. Samtidigt stängs förångaren av.

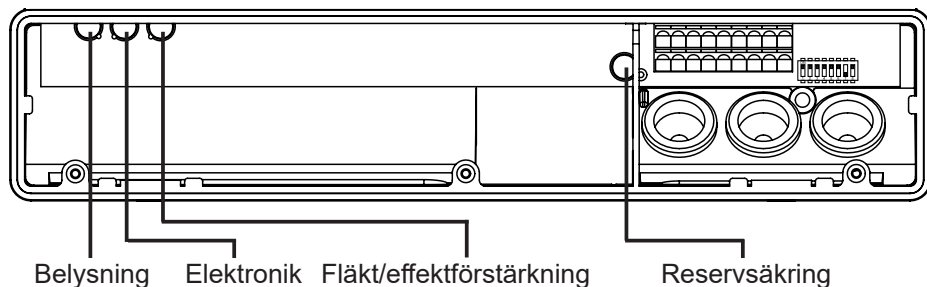
- Fyll på vatten i förångarens vattenbehållare.
  - ▶ Efter en kort tid slocknar texten "FILL" och förångaren påbörjar återigen uppvärmningen.

## 12.3. Säkringar

I styrenhetens anslutningsområde sitter säkringar för belysning, fläkt/effektförstärkning och elektronik samt en extrasäkring.

Det rör sig här om 1 A tröga mikrosäkringar.

Dessa kan beställas med artikelnummer PRO-FUSE.



För att byta säkringen, dra ut säkringsinsatsen rakt ut och sätt i den nya säkringen.

## 13. Tekniska data

### **Omgivningsförhållanden**

---

Förvaringstemperatur:	-25 °C till +70 °C
Omgivningstemperatur:	-10 °C till +40 °C
Luftfuktighet:	Max. 95 %

### **Bastustyrenhet**

---

Mått:	307 x 175 x 57 mm
Brytspänning/trefas 3N:	400 V AC
Frekvens:	50 Hz
Bryteffekt/värmeapparat:	3 x 3,5 kW
Brytström per fas/värmeapparat:	16 A
Bryteffekt/förångare (endast PRO B3):	3,5 kW
Brytström/förångare (endast PRO B3):	16 A
Märkspänning:	230 V
Skyddsklass (stänkvattenskyddad):	IPX4
Anslutning till elnätet som fast anslutning	

### **Belysning**

---

Bryteffekt:	100 W
Säkring:	1A T

### **Fläkt**

---

Bryteffekt:	100 W
Säkring:	1A T

### **Inställningsområde**

---

Temperatur:	30 °C till 110 °C
Fuktighet:	0 % till 100 %

Max. inställningsbar fuktighet beror på bastutemperaturen. Ju högre bastutemperatur, desto lägre max. inställningsbart fuktvärde.

---

**Termisk säkerhet**

---

Aggregatgivare med övertemperaturskydd (139 °C avstängningstemperatur)  
Automatisk tidsgräns för uppvärmning kan ställas in (6 h, 12 h, 18 h, 24 h)  
Drift med en eller två givare

---

**Anslutningskablar**

---

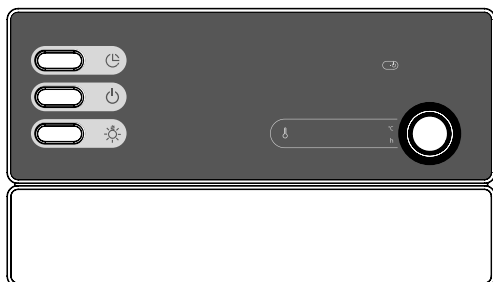
Elkabel:	Min. 5 x 2,5 mm <sup>2</sup>
Ledning till aggregatet (temperaturbeständig upp till 150 °C):	Min. 2,5 mm <sup>2</sup>
Ledningar till givare (temperaturbeständiga upp till 150 °C):	Min. 0,5 mm <sup>2</sup>
Belysningskabel:	Min. 1,5 mm <sup>2</sup>
Fläktledning:	Min. 1,5 mm <sup>2</sup>



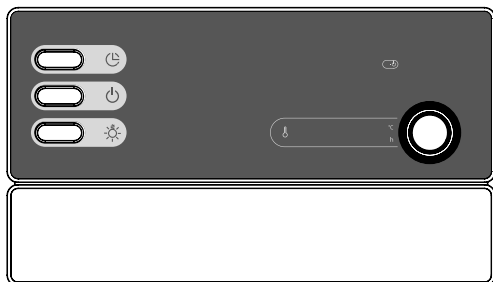
# Saunaohjain

## PRO B2 / PRO B3

ASENNUS- JA KÄYTTÖOHJEET  
SUOMI



PRO-B2 / 1-015-455



PRO-B3 / 1-015-457

FI

# Sisällysluettelo

<b>1. Sananen näistä ohjeista</b>	<b>5</b>
<b>2. Tärkeitä ohjeita turvallisuutesi varmistamiseksi</b>	<b>6</b>
2.1. Käyttötarkoitus	6
2.2. Turvaohjeita asentajalle	7
2.3. Turvaohjeita käyttäjälle	8
<b>3. Tuotekuvaus</b>	<b>9</b>
3.1. Toimituskokonaisuus	9
3.2. Valinnaiset lisätarvikkeet	9
3.3. Tuotteen toiminnot	9
3.4. Saunan käyttötavat	10
3.5. Anturikäyttötavat	11
<b>4. Asennus</b>	<b>13</b>
4.1. Saunaohjaimen asentaminen	13
4.2. Ylikuumenemissulakkeella varustetun kiuasanturin F1 asentaminen	15
4.3. Laudeanturin F2 asentaminen (valinnainen)	16
4.4. Kosteus-lämpötila-anturin FTS2 asentaminen (valinnainen, vain PRO B3)	16
<b>5. Sähköliitäntä</b>	<b>17</b>
5.1. Syöttöjohdon, kiukaan ja höyrystimen liittäminen	18
5.2. Valon liittäminen	18
5.3. Tuulettimen liittäminen (valinnainen, vain PRO B3)	18
5.4. Teholaajennuksen liittäminen (valinnainen)	19
5.5. Kiuasanturin F1 liittäminen	19
5.6. Laudeanturin F2 liittäminen (valinnainen)	19
5.7. Kosteus-lämpötila-anturin FTS2 liittäminen (valinnainen, vain PRO B3)	19
5.8. Turvakatkaisimen/ovianturin liittäminen	20
5.9. Etäkäynnistys	20
5.10. Asennuksen viimeistely	20

<b>6. Tarkastukset</b>	<b>21</b>
<b>7. Liitäntäkaavio</b>	<b>22</b>
<b>8. Käyttöönotto</b>	<b>24</b>
8.1. Toimintojen valintakytkimen asettaminen	24
8.2. Lämmitysajan rajoituksen asettaminen	24
8.3. Vaihesovituksen aktivointi/deaktivointi	25
8.4. Etäkäynnistyksen vapautus	25
8.5. Yksianturikäytön aktivointi/deaktivointi	25
8.6. Pelkän höyrystimen käytön aktivointi (vain PRO B3)	25
8.7. Kiukaan lämpötilan näyttäminen yksianturikäytössä	26
8.8. Asetukset teknikkovalikossa	26
<b>9. Käyttö</b>	<b>27</b>
9.1. Käyttölaitteet Pro B2	27
9.2. Käyttölaitteet Pro B3	28
9.3. Valon kytkeminen päälle	28
9.4. Saunaohjaimen kytkeminen päälle	29
9.5. Saunakäytön kytkeminen päälle	29
9.6. Yhdistelmäkäytön kytkeminen päälle (vain PRO B3)	30
9.7. Valmiustila etäkytkennän aktivoimiseksi	31
9.8. Ajastimen asettaminen	32
9.9. Ajastintoiminnon keskeyttäminen	33
9.10. Jälkikuivausohjelman keskeyttäminen (vain PRO B3)	33
9.11. Saunakäytön sammuttaminen	33
9.12. Saunaohjaimen kytkeminen pois päältä	33

<b>10.Puhdistus ja huolto</b>	<b>34</b>
10.1. Puhdistus	34
10.2. Huolto	34
<b>11.Hävittäminen</b>	<b>34</b>
<b>12.Ongelmanratkaisu</b>	<b>35</b>
12.1. Virheilmoitukset	35
12.2. Vedenpuutteen näyttö (vain PRO B3)	36
12.3. Sulakkeet	36
<b>13.Tekniset tiedot</b>	<b>37</b>

# 1. Sananen näistä ohjeista

Lue nämä asennus- ja käyttöohjeet huolellisesti läpi ja säilytä niitä saunaohjaimen lähellä. Näin voit katsoa turvallisuuttasi sekä käyttöä koskevia tietoja milloin tahansa.



Asennus- ja käyttöohjeet saat myös Internet-sivujemme materiaalinla-  
tausosiosta osoitteesta [www.sentiotec.com/downloads](http://www.sentiotec.com/downloads).

## **Symbolit ja varoitukset**

Näissä asennus- ja käyttöohjeissa annetaan varoitus ennen toimia, jotka muo-  
dostavat vaaratekijän. Näitä varoituksia on ehdottomasti noudatettava. Näin  
vältät esinevahingot ja loukkaantumiset, jotka pahimmassa tapauksessa voivat  
aiheuttaa jopa kuoleman.

Varoituksissa käytetään huomiosanoja, joiden merkitys on seuraava:



### **VAARA!**

Jos et noudata tätä varoitusta, seurauksena on kuolema tai vakava  
loukkaantuminen.



### **VAROITUS!**

Jos et noudata tätä varoitusta, seurauksena voi olla kuolema tai vakava  
loukkaantuminen.



### **VARO!**

Jos et noudata tätä varoitusta, seurauksena voi olla lievä loukkaantuminen.

## **HUOMIO!**

Tällä huomiosanalla varoitetaan esinevahingoista.

## **Muut symbolit**



Tällä symbolilla merkitään vinkit ja hyödylliset ohjeet.

## 2. Tärkeitä ohjeita turvallisuutesi varmistamiseksi

Saunaohjain PRO B2 / PRO B3 on valmistettu tunnustettujen turvateknisten säätöjen mukaisesti. Käytön yhteydessä voi silti ilmetä vaaroja. Noudata siksi seuraavia turvaohjeita ja yksittäisissä luvuissa annettuja erityisiä varoituksia. Noudata myös liitettyjen laitteiden turvaohjeita.

### 2.1. Käyttötarkoitus

Saunaohjain PRO B2 / PRO B3 on tarkoitettu ainoastaan toimintojen ohjaukseen ja säätelyyn teknisten tietojen mukaisesti.

Saunaohjainta PRO B2 / PRO B3 saa käyttää ainoastaan sellaisen kiukaan ohjaamiseen ja säätelyyn, joka läpäisee standardin EN 60335-2-53 kohdan 19.101 mukaisen peittämiskokeen. Jollei tämä kiuas täytä vaatimuksia, on tehtävä vastaavat turvallisuustoimenpiteet (esim. Turvakatkaisimen/ovianturin liittäminen, katso **5.8 sivulla 20**).

Saunaohjainta PRO B2 / PRO B3 saa käyttää vain 3 lämmityspiiriin ohjaamiseen ja säätelyyn. Lämmitysteho saa olla tällöin enintään 3,5 kW lämmityspiiriä kohti. Höyrystimen maksimiteho (vain PRO B3) on 3,5 kW.

Muunlaisen käytön katsotaan poikkeavan tuotteen käyttötarkoituksesta. Tuotteen käyttötarkoituksesta poikkeava käyttö voi johtaa tuotteen vaurioitumiseen, vakaviin vammoihin tai kuolemaan.

## 2.2. Turvaohjeita asentajalle

- Vain sähköalan ammattilainen tai vastaavan pätevyyden omaava henkilö saa suorittaa asennuksen.
- Saunaohjaimeen liittyviä töitä saa tehdä vain jännitteettömässä tilassa.
- Asiakkaan on järjestettävä ylijännitekategorian III mukainen kaikkinaapainen erotuslaite, joka takaa täyden katkaisun.
- Saunaohjain on asennettava saunahuoneen ulkopuolelle n. 1,70 m korkeuteen tai saunahuoneen valmistajan suositusten mukaisesti. Ympäristölämpötilan on oltava  $-10\text{ °C}$ :n ja  $40\text{ °C}$ :n välillä.
- Kiuasanturi tulee kiinnittää siten, että sisään virtaava ilma ei vaikuta siihen.
- Kiukaan syöttökaapelin poikkipinta-alan täytyy olla vähintään  $2,5\text{ mm}^2$ . Kaapelin täytyy myös kestää enimmillään  $150\text{ °C}$ :een lämpötiloja.
- Noudata myös sijoituspaikan paikallisia määräyksiä.
- Käännä oman turvallisuutesi vuoksi toimittajasi puoleen sellaisissa ongelmissa, joita ei käsitellä asennusohjeessa kyllin tarkasti.

### 2.3. Turvaohjeita käyttäjälle

- Alle 8-vuotiaat lapset eivät saa käyttää saunaohjainta.
- Yli 8-vuotiaat lapset, fyysisiltä, sensorisilta tai henkisiltä kyvyiltään rajoittuneet henkilöt sekä kokemattomat ja tietämättömät henkilöt saavat käyttää saunaohjainta seuraavin ehdoin:
  - jos he ovat valvonnan alaisina
  - jos heille on näytetty turvallinen käyttö ja he ymmärtävät vaarat, joita voi syntyä.
- Lapset eivät saa leikkiä saunaohjaimella.
- Alle 14-vuotiaat lapset saavat puhdistaa saunaohjainta vain, kun he ovat valvonnan alaisina.
- Jätä saunominen terveydellisistä syistä väliin, jos olet alkoholin, lääkkeiden tai huumeiden vaikutuksen alaisena.
- Ennen kuin kytket saunaohjaimen päälle, varmista, että kiukaalla EI ole tulenarkoja esineitä.
- Ennen kuin kytket ajastintoiminnon tai etäkäynnistyksen valmiustilan päälle, varmista, että kiukaan päällä ei ole tulenarkoja esineitä.
- Käänny oman turvallisuutesi vuoksi toimittajasi puoleen sellaisissa ongelmissa, joita ei käsitellä käyttöohjeessa kyllin tarkasti.



## 3. Tuotekuvaus

### 3.1. Toimituskokonaisuus

- Saunaohjain (mallista riippuen PRO B2 / PRO B3)
- Kiuasanturi, jossa integroitu ylikuumenemissulake
- Asennusmateriaali

### 3.2. Valinnaiset lisätarvikkeet

- Laudeanturi (1-009-231 / O-F2)
- Kosteus-lämpötila-anturi (1-010-081 / O-FTS2)
- Kalvoanturi (1-014-445 / P-ISX-FF)
- Teholaajennus (1-008-779 / O-S2-18, 1-009-280 / O-S2-30)
- Keinukatkaisin (SFE-xxxxx)
- Ovianturi Home (1-052-723 / SAB00103)
- MySentio Wifi (1-053-313 / S-WIFI01)
- MySentio Remote (1-053-314 / S-WIFI02)

### 3.3. Tuotteen toiminnot

#### **PRO B2**

Saunaohjaimessa PRO B2 on seuraavat toiminnot:

- Lämmitysteholtaan enintään 10,5 kW:n kiukaiden säätely lämpötila-alueella 30 °C–110 °C.
- Teholaajennuksen avulla maksimikytkentäteho voidaan suurentaa 10,5 kW:sta 18 kW:iin tai 30 kW:iin.
- Saunahuoneen valon kytkentä (enintään 100 W)
- Etäkäynnistystoiminto
- Ovivalvontalaite
- Ajastustoiminto (24 tuntiin asti)
- Automaattinen lämmitysajan rajoitus  
Saunaohjain kytkeytyy maksimilämmitysajan jälkeen turvallisuussyistä automaattisesti pois päältä. Maksimilämmitysajaksi voidaan asettaa 6 tuntia, 12 tuntia, 18 tuntia tai 24 tuntia.

- **Ylikuumenemissulake**  
Ylikuumenemissulake sijaitsee kiuasanturin anturirungossa. Jos kiuas lämmittää vian takia toivelämpötilan saavuttamisen jälkeen edelleen, ylikuumenemissulake kytkee kiukaan automaattisesti pois päältä, kun n. 139 °C:een lämpötila saavutetaan.

### **PRO B3**

Toimintokokonaisuus kuten mallissa PRO B2, kuitenkin lisäksi:

- Yhdistelmäkiukaiden säätäminen lämmitystehoon 10,5 kW ja höyrystimen tehoon 3,5 kW saakka lämpötila-alueella 30 °C ... 110 °C ja kosteusalueella 5–100 %.
- Jälkikuivausohjelma  
Jälkikuivausohjelma kytkeytyy automaattisesti päälle yhdistelmäkäytön jälkeen, jotta saunahuoneeseen ei pääse muodostumaan hometta eikä lahoa. Toiminto lämmittää saunahuoneen 80 °C:seen tuulettimen käydessä.  
Kesto voidaan valita väliltä OFF – 60 minuuttia.

## **3.4. Saunan käyttötavat**

Saunaohjain PRO B2 mahdollistaa saunakäytön. Saunaohjain PRO B3 mahdollistaa kaksi käyttötapaa: sauna- ja yhdistelmäkäytön.

### **Saunakäyttö**

Saunakäytössä lämpö on kuivaa. Saunahuoneen lämpötila on korkea (80...100 °C). Kosteusarvot ovat vähäiset, enintään 10 %.

### **Yhdistelmäkäyttö (vain PRO B3)**

Yhdistelmäkäytössä on kiukaan lisäksi käytössä myös höyrystin. Saunahuoneen lämpötila on alhaisempi (n. 40...65 °C) kuin saunakäytössä, kun taas suhteellinen ilmankosteus on huomattavasti suurempi, 35 %...noin 70 %. Suurin asetettava ohjekosteus riippuu saunan lämpötilasta. Mitä korkeampi lämpötila, sitä vähäisempi on suurin asetettava kosteusarvo (katso käyrä sivulla 11).

### 3.5. Anturikäyttötavat

Saunaohjainta voidaan käyttää yhden tai kahden anturin avulla. Toisena anturina voidaan käyttää lämpötila-anturia (laudeanturi F2) tai kosteus-lämpötila-anturia (FTS2, vain PRO B3).

#### ***Yksianturikäyttö (F1)***

Yksianturikäyttö täytyy aktivoida toimintojen valintakytkimellä (katso **8.5. Yksianturikäytön aktivointi/deaktivointi sivulla 25**).

Yksianturikäytössä saunaohjain toimii vain ylikuumenemissulakkeella varustetun kiuasanturin (F1) avulla. Se sisältyy toimituskokonaisuuteen.

Yksianturikäytössä saunaohjaimen vakioasetuksena on vain ohjelämpötilan näyttäminen. Tosilämpötilaa ei näytetä. Jos saunaohjaimen halutaan näyttävän yksianturikäytössä kiukaan yläpuolisen lämpötilan (F1-anturi) tosilämpötilana, tämä täytyy aktivoida käyttöönnoton yhteydessä (katso **8.7. Kiukaan lämpötilan näyttäminen yksianturikäytössä sivulla 26**).

**vain Pro B3:** Suurin asetettava kosteusarvo riippuu kiukaan yläpuolella vallitsevasta lämpötilasta, ja kosteus tahdistetaan. Saunaohjaimen näytössä näkyy ainoastaan kosteuden ohjearvo (suhteellinen ilmankosteus-%). Kun kosteus tahdistetaan, saunahuoneen todellinen kosteus riippuu saunahuoneen koosta ja höyrystimen tehosta, ja se voi poiketa asetetusta ohjearvosta.

#### ***Kaksianturikäyttö laudeanturilla (F2)***

Kaksianturikäyttö on aktivoitu tehtaalla.

Laudeanturin avulla tapahtuvaa kaksianturikäyttöä varten asennetaan toinen lämpötila-anturi (laudeanturi) taaemman lauteen yläpuolelle. Saunaohjain näyttää tosi-lämpötilana laudeanturin mittaaman lämpötilan.

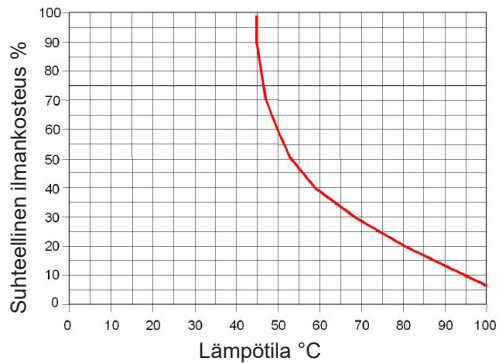
**vain PRO B3:** Kun kaksianturikäytössä käytetään laudeanturia, kosteus tahdistetaan. Saunaohjaimen näytössä näkyy ainoastaan kosteuden ohjearvo (suhteellinen ilmankosteus-%). Kun kosteus tahdistetaan, saunahuoneen todellinen kosteus riippuu saunahuoneen koosta ja höyrystimen tehosta, ja se voi poiketa asetetusta ohjearvosta.

**vain PRO B3:****Kaksianturikäyttö kosteus-lämpötila-anturilla (FTS2)**

Kaksianturikäyttö on aktivoitu tehtaalla.

Kun kaksianturikäytössä käytetään kosteus-lämpötila-anturia, saunaohjain näyttää tosilämpötilana sen lämpötilan, jonka kosteus-lämpötila-anturi mittaa.

Kun kaksianturikäytössä käytetään kosteus-lämpötila-anturia, höyrystintä säädetään saunahuoneesta mitatun kosteuden mukaisesti. Saunaohjaimen näytössä näkyy saunahuoneen todellinen kosteus (suhteellinen ilmankosteus-%).



EN 60335-2-53:2011; Lämpötila / suhteellinen ilmankosteus -käyrä asianmukaista käyttöä varten.

## 4. Asennus

### 4.1. Saunaohjaimen asentaminen

---

**HUOMIO!*****Laitteen vauriot***

Saunaohjain on roiskevesisuojaattu, mutta laite voi kuitenkin vaurioitua joutuessaan suoraan kosketukseen veden kanssa.

- Asenna saunaohjain kuivaan paikkaan, jossa ilmankosteus ei ylitä maksimiarvoa 95 %.
- 

**HUOMIO!*****Häiriölähteet häiritsevät signaalinvälitystä***

- Vedä kaikki anturijohdot erillään muista verkkojohdoista ja ohjainjohdoista.
  - Suojaa yksinkertaisesti eristetyt johdot putkella (kaksoiseristys).
- 

Noudata saunaohjaimen asennuksessa seuraavia kohtia:

- Saunaohjain on asennettava saunahuoneen ulkopuolelle tai saunahuoneen valmistajan suositusten mukaisesti.
  - Ympäristölämpötilan on oltava -10 °C:n ja +40 °C:n välillä.
  - Anturit saa liittää vain oheisilla anturijohdoilla, jotka kestävät lämpöä 150 °C:een asti.
- 

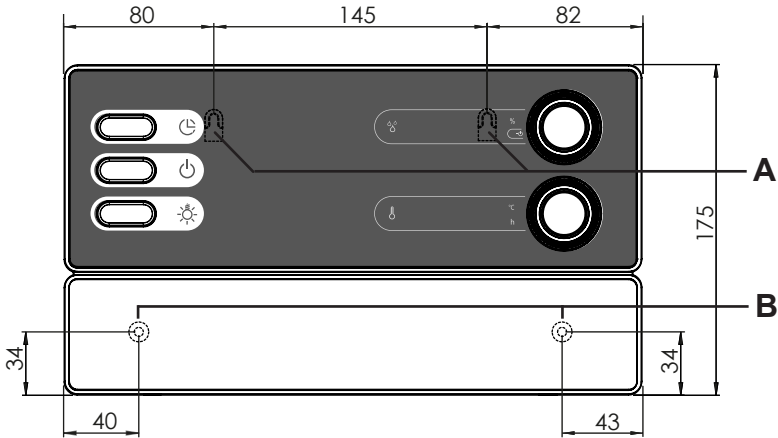


Anturijohtoja saa jatkaa ainoastaan seuraavin ehdoin:

- Käytetään silikonijohtoa, joka kestää 150 °C:n lämpötilaa.
  - Johdon vähimmäispoikkipinta-ala on 0,5 mm<sup>2</sup>.
  - Kiuasanturijohtojen pituus EI saa olla yli 10 m.
-

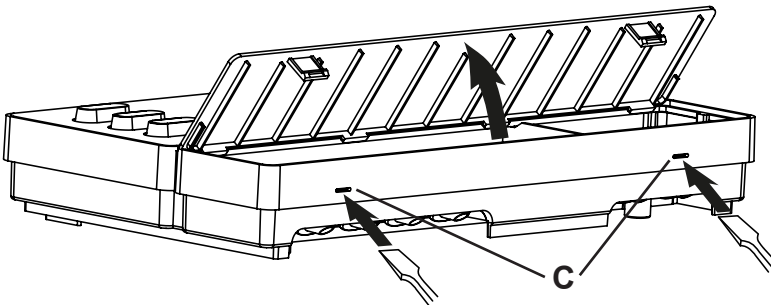
Asenna saunaohjain tekemällä seuraavat työvaiheet:

1. Ruuvaa kaksi ristipääruuvia (16 mm) saunan seinään n. 1,70 m:n korkeudelle siten, että niiden kannat jäävät 7 mm:n etäisyydelle seinäpinnasta. Ruuvien pitää olla 145 mm:n etäisyydellä toisistaan (ks. **Kuva1**).



**Kuva1** Ripustimen paikka ja asennusreiät (mittayksikkö: mm)

2. Paina sulkusalpoja **C** ruuvitaltalla hieman sisään ja ota kotelo kansi pois (ks. **Kuva2**).
3. Ripusta saunaohjain ripustinten **A** avulla ristipääruuveihin, jotka äsken asensit (ks. **Kuva1**).
4. Ruuvaa kaksi ristipääruuvia (16 mm) alakiinnitysreikiin **B** (ks. **Kuva1**).



**Kuva2** Kotelo kannen irrotus

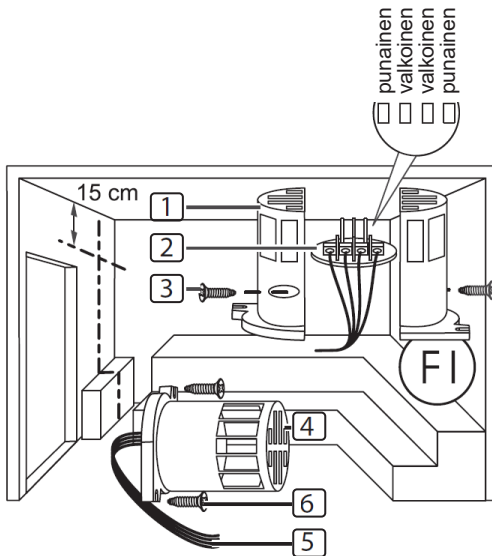
## 4.2. Ylikuumenemissulakkeella varustetun kiuasanturin F1 asentaminen

Noudata kiuasanturin asennuksessa seuraavia kohtia:

- Kiuasanturi on asennettava kiukaan takaseinämään keskikohdan yläpuolelle. Etäisyyttä saunahuoneen kattoon on oltava noin 15 cm.
- Kiuasanturi tulee kiinnittää siten, että sisään virtaava ilma ei vaikuta siihen.

Asenna kiuasanturi tekemällä seuraavat työvaiheet (ks. **Kuva3**):

1. Vedä molemmat 2-napaiset kiuasanturijohdot saunahuoneen seinään kiuasanturin asennuspaikkaan ja kiinnitä kiuasanturijohdot johdonkiristimillä.
2. Vedä kiuasanturin kotelon puolikkaat **1** irti toisistaan.
3. Liitä kiuasanturijohdon **5** neljä liittintä kiuasanturiin kuten **Kuva3** esittää.
4. Aseta liittäntälevy **2** poikittain (kuten **Kuva3** esittää) kiuasanturin kotelon puolikkaisiin.
5. Sulje kotelon puolikkaat, ruuvaa ne yhteen ne kahdella ristipääruuvilla **3** (9 mm) ja tarkista, onko kiuasanturi tiukasti kiinni.
6. Asenna kiuasanturi kiukaan takaseinään kahdella oheisella puuruuvilla **6** (16 mm).



- 1** kiuasanturin kotelon puolikkaat
- 2** liittäntälevy
- 3** ristipääruuvit (9 mm)
- 4** kiuasanturi
- 5** kiuasanturin johdot
- 6** puuruuvit (16 mm)

**Kuva3 Kiuasanturin asentaminen**

### 4.3. Laudeanturin F2 asentaminen (valinnainen)

Laudeanturi asennetaan saunahuoneen seinään takalauteen yläpuolelle. Etäisyyttä saunahuoneen kattoon on oltava noin 15 cm.

Asenna laudeanturi tekemällä seuraavat työvaiheet:

1. Vedä 2-napainen laudeanturijohto saunahuoneen seinään laudeanturin asennuspaikkaan ja kiinnitä laudeanturijohto johdonkiristimillä.
2. Vedä laudeanturin kotelon puolikkaat irti toisistaan.
3. Liitä laudeanturin kaksi liitintä liitäntälevyn kahteen keskimmaiseen liittimeen.
4. Aseta liitäntälevy poikittain laudeanturin kotelon puolikkaisiin.
5. Sulje kotelon puolikkaat ja ruuvaa ne yhteen ne kahdella ristipääruuvilla (9 mm).
6. Tarkista, onko laudeanturi tiukasti kiinni.
7. Asenna laudeanturi saunahuoneen seinään kahdella oheisella puuruuvilla (16 mm). Etäisyyttä saunahuoneen kattoon on oltava 15 cm.

### 4.4. Kosteus-lämpötila-anturin FTS2 asentaminen (valinnainen, vain PRO B3)

Kosteus-lämpötila-anturi asennetaan saunahuoneen seinään takalauteen yläpuolelle. Etäisyyttä saunahuoneen kattoon on oltava noin 15 cm.

Asenna kosteus-lämpötila-anturi tekemällä seuraavat työvaiheet:

1. Vedä 5-napainen anturijohto saunahuoneen seinään kosteus-lämpötila-anturin asennuspaikkaan ja kiinnitä anturijohdot johdonkiristimillä.
2. Asenna kosteus-lämpötila-anturi saunahuoneen seinään kahdella oheisella puuruuvilla (16 mm). Etäisyyden saunahuoneen kattoon on oltava 15 cm.

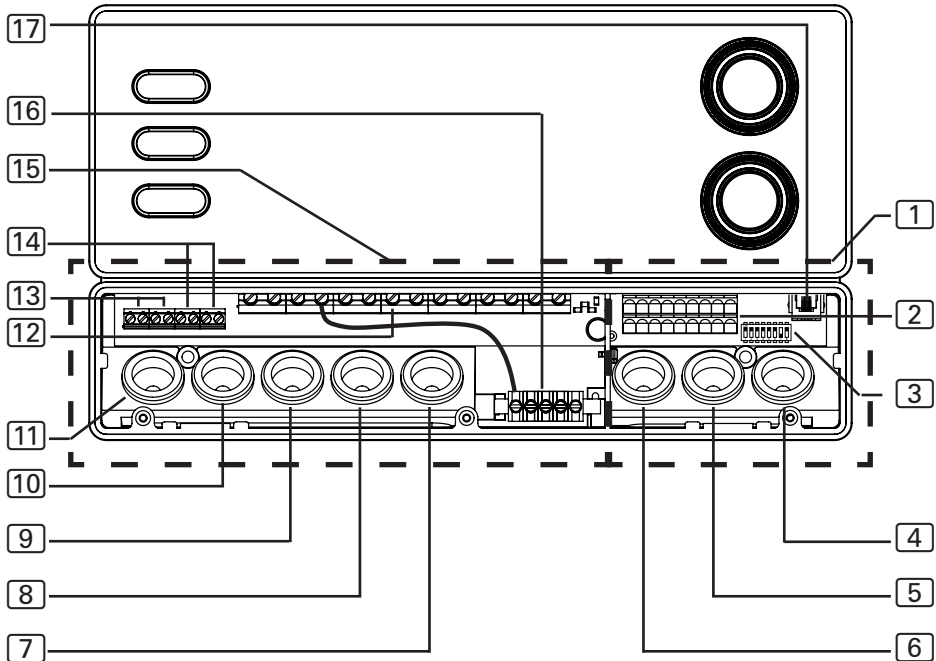


## 5. Sähköliitäntä

### HUOMIO!

#### Laitteen vauriot

- Saunaohjainta saa käyttää vain 3 lämmityspiirin ohjaamiseen ja säätelyyn; kunkin lämmityspiirin lämmitysteho saa olla enintään 3,5 kW. Höyrystimen maksimiteho (vain PRO B3) on 3,5 kW.



- |   |  |    |   |
|---|--|----|---|
| 1 | pienjännitteen liitäntäalue                                      | 9  | Syöttöjohdon johtoläpivihti                     |
| 2 | turvakatkaisimen, etäkäynnistyksen ja anturinjohtojen riviliitin | 10 | teholaajennuksen johtoläpivihti                 |
| 3 | toimintojen valintakytkin  | 11 | valon ja tuulettimen johtoläpivihti             |
| 4 | F2- ja FTS2-anturin johdonläpivihti                              | 12 | kiukaan, höyrystimen ja syöttöjohdon riviliitin |
| 5 | F1-anturin johtoläpivihti  | 13 | valon ja tuulettimen riviliitin                 |
| 6 | turvakatkaisimen ja etäkäynnistyksen johtoläpivihti              | 14 | teholaajennuksen riviliitin                     |
| 7 | höyrystinjohdon johtoläpivihti                                   | 15 | 230 V / 400 V -liitäntäalue                     |
| 8 | kiukaan johdon johtoläpivihti                                    | 16 | maadoituskisko                                  |
|   |  | 17 | RS485:n ja MySention Wifin RJ45-naarasliitin    |

Noudata saunaohjaimen sähköliitännöiden osalta seuraavia kohtia:

- Vain sähköalan ammattilainen tai vastaavan pätevyyden omaava henkilö saa suorittaa asennuksen.



Huomaa, että takuuvaatimusten esittämiseksi tarvitaan kopio liitännän tehneen sähköliikkeen laskusta.

- Saunaohjaimen liittyviä töitä saa tehdä vain jännitteettömässä tilassa.
- Sähkönsyöttö on toteutettava kiinteällä liitännällä.
- Asiakkaan on järjestettävä ylijännitekategorian III mukainen kaikinapainen erotuslaite, joka takaa täyden katkaisun.
- Noudata kytkentäkaaviota **Kuva4** sivulla **22** tai **Kuva5** sivulla **23**.

### 5.1. Syöttöjohton, kiukaan ja höyrystimen liittäminen

1. Vedä syöttöjohto sekä kiukaan ja höyrystimen johto (vain PPRO B3) johtoläpiviennin [9], [8] ja [7] kautta 230 V / 400 V -liitännäalueelle [15].
2. Liitä liitäntäjohtot kytkentäkaavion mukaisesti riviliittimeen [12]. Noudata tällöin kunkin laitteen käyttöohjeita.
3. Jos höyrystimessä ei ole automaattista vedenpuutekatkaisinta, tee lisäksi seuraavat toimet:
  - Liitä oheisella metallilankasilloituksella liitin "V1" liittimeen "Wm".

### 5.2. Valon liittäminen

1. Vedä valojohto johtoläpiviennin [11] kautta 230 V / 400 V -liitännäalueelle [15].
2. Liitä valojohto kytkentäkaavion mukaisesti riviliittimeen [13]. Noudata tällöin kulloisenkin laitteen käyttöohjeita.

### 5.3. Tuulettimen liittäminen (valinnainen, vain PRO B3)

1. Vedä tuuletinjohto johtoläpiviennin [11] kautta 230 V / 400 V -liitännäalueelle [15].
2. Liitä tuuletinjohto kytkentäkaavion mukaisesti riviliittimeen [13]. Noudata tällöin kulloisenkin laitteen käyttöohjeita.

#### 5.4. Teholaajennuksen liittäminen (valinnainen)

1. Vedä teholaajennuksen johto johtoläpiviennin [10] kautta 230 V / 400 V -liitäntäalueelle [15].
2. Liitä teholaajennuksen johto kytkentäkaavion mukaisesti riviliittimeen [14]. Liitin "ST1" on turvapiiriä varten ja liitin "ST2" ohjauspiiriä varten. Noudata kulloisenkin laitteen käyttöohjeita.

#### 5.5. Kiuasanturin F1 liittäminen

1. Vedä kiuasanturijohdot johtoläpiviennin [5] kautta pienjännitteen liitäntäalueelle [1].
2. Liitä kiuasanturin punaiset johdot riviliittimen [2] liittimiin, joissa on merkintä "STB".
3. Liitä kiuasanturin valkoiset johdot riviliittimen [2] liittimiin, joissa on merkintä "F1".

#### 5.6. Laudeanturin F2 liittäminen (valinnainen)

1. Vedä laudeanturin johdot johtoläpiviennin [4] kautta pienjännitteen liitäntäalueelle [1].
2. Liitä laudeanturin johdot riviliittimen [2] liittimiin, joissa on merkintä "F2".

#### 5.7. Kosteus-lämpötila-anturin FTS2 liittäminen (valinnainen, vain PRO B3)

1. Vedä anturijohdot johtoläpiviennin [4] kautta pienjännitteen liitäntäalueelle [1].
2. Liitä lämpötila-anturin johdot riviliittimen [2] liittimiin, joissa on merkintä "F2".
  - a. musta johto oikeanpuoleiseen liittimeen.
  - b. ruskea johto vasemmanpuoleiseen liittimeen.
3. Liitä kosteusanturin johdot riviliittimen [2] liittimiin, joissa on merkintä "+ S -".
  - c. vihreä johto liittimeen "+".
  - d. oranssi johto liittimeen "S".
  - e. punainen johto liittimeen "-".

## 5.8. Turvakatkaisimen/ovianturin liittäminen

Standardin EN 60335-2-53 mukaan etäohjauksella varustettuja saunaohjaimia saa käyttää ainoastaan sellaisen kiukaan ohjaamiseen ja säätelyyn, joka läpäisee kohdan 19.101 mukaisen peittämiskokeen. Vaihtoehtoisesti voidaan asentaa vastaava turvakatkaisin (esim. Keinukatkaisin) / ovianturi. Se kytkee kiukaan pois päältä, jos kiukaan päälle lasketaan esineitä (kuten pyyhe) tai jos saunan ovi avataan.

Asenna turvakatkaisin tekemällä seuraavat työvaiheet:

1. Asenna turvakatkaisin laitteen käyttöohjeessa kuvatulla tavalla.
2. Vedä turvakatkaisimen johdot johtoläpiviennin **[6]** kautta pienjännitteen liitântäalueelle **[1]**.
3. Liitä johdot liittimiin, joissa on merkintä "**OSG**", riviliittimeen **[2]**.



Jos turvakatkaisinta ei asenneta, tekstillä "**OSG**" merkittyihin liittimiin täytyy muodostaa metallilankasilloitus.

## 5.9. Etäkäynnistys

Liitântä tehdään käyttäen liittimiä "**S**", "**B**" ja "**C**". "**S**" merkitsee saunakäyttöä ja "**C**" höyrystinkäyttöä. "**B**" on +24 V DC -lähtö. Jälkimmäinen täytyy kytkeä kytkimen tai toimilaitteen avulla halutun käyttötavan liittimeen.

## 5.10. Asennuksen viimeistely

1. Liitä syöttöjohdon ja kaikkien laitteiden maadoitusjohtimet maadoituskiskoon **[16]**.
2. Aseta kotelon kansi liitântärasian yläreunalle.
3. Paina sulkusalpoja hieman sisään ja käännä kotelon kantta alaspäin kunnes kuulet sen lokahtavan kiinni.

## 6. Tarkastukset

Seuraavat tarkastukset täytyy teettää hyväksytyllä sähköasentajalla.



### **VAROITUS!**

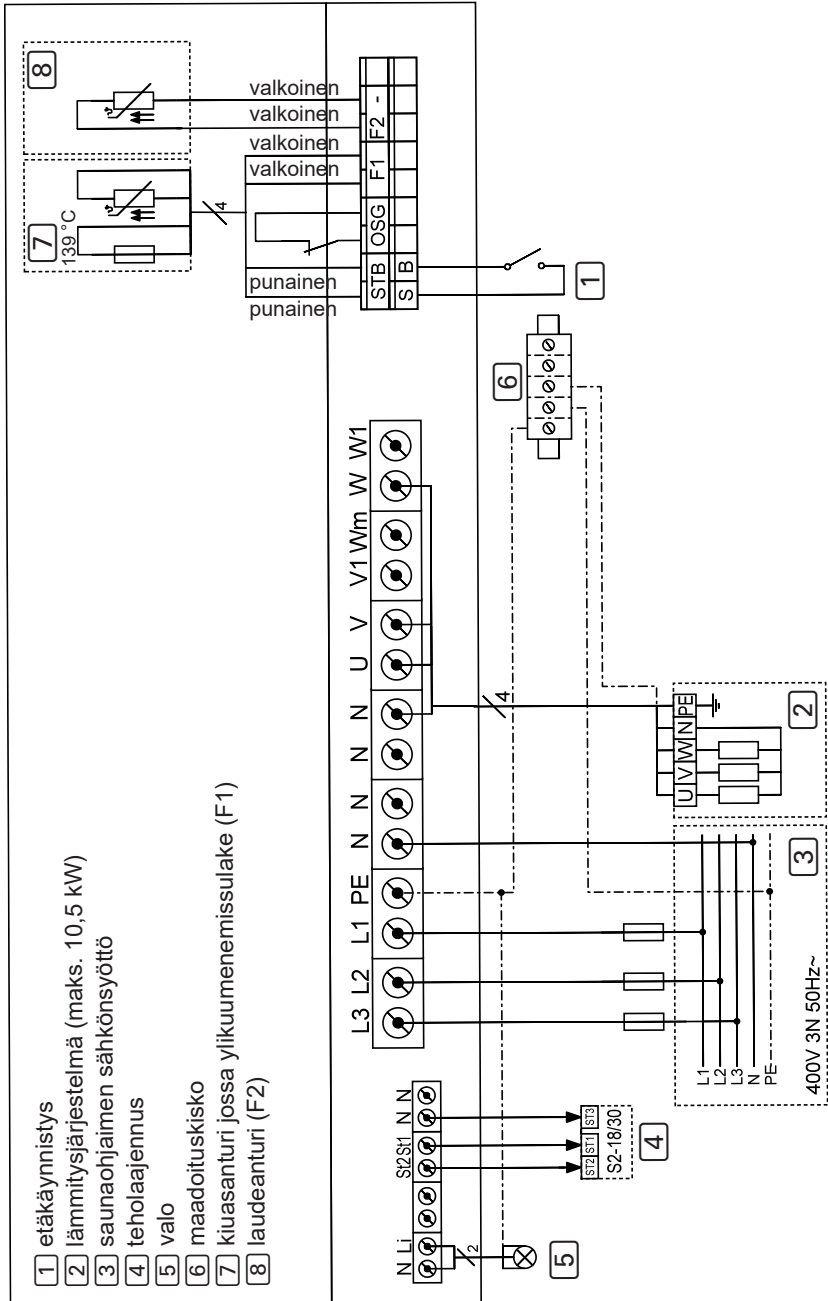
**Seuraavat tarkastukset suoritetaan, kun virransyöttö on päällä.  
Sähköiskuvaara.**

- ÄLÄ KOSKAAN kosketa sähköä johtavia osia.

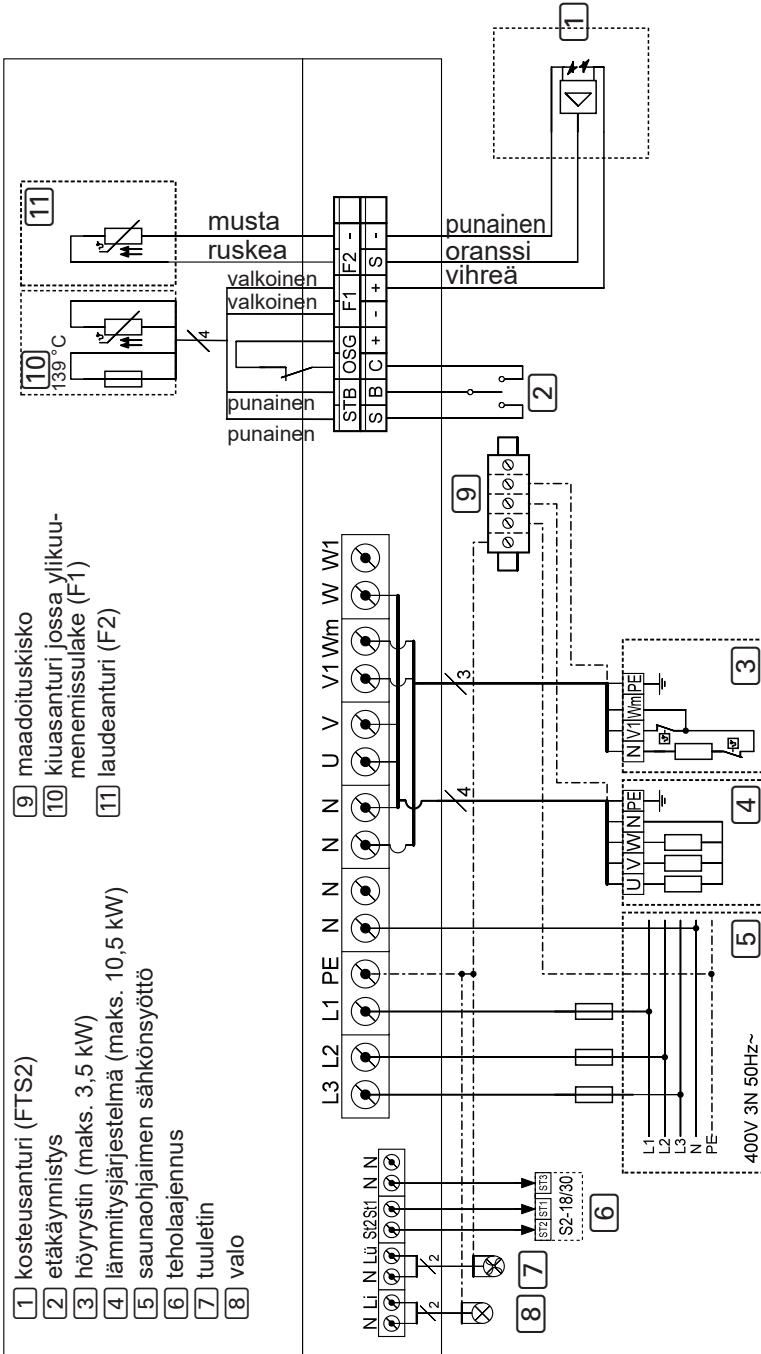
1. Tarkasta maadoitusjohtojen kosketus maadoitusjohdinliittimeen.
2. Tarkasta kiuasanturin F1 ylikuumenemissulake.
  - a. Kytke saunaohjain päälle.
  - b. Avaa kiuasohjain ja irrota toinen punaisista kiuasanturin johdoista.
    - ▶ Ylänäytössä näkyy "Err", alanäytössä "02", ja ohjain kytkee kiukaan pois päältä.
  - c. Kytke saunaohjain pois päältä.
  - d. Liitä punainen kiuasanturin johto takaisin paikalleen.
  - e. Irrota nyt toinen valkoisista kiuasanturin johdoista.
  - f. Kytke saunaohjain päälle.
    - ▶ Ylänäytössä näkyy "Err", alanäytössä "04F1", ja ohjain kytkee kiukaan pois päältä.
  - g. Kytke saunaohjain pois päältä.
  - h. Liitä valkoinen kiuasanturin johto takaisin paikalleen.
3. Tarkasta vaihekytkentä saunakäyttöön L1, L2, L3 – U, V, W.
4. Tarkasta saunaohjaimen suurin sallittu lämmitysteho 3,5 kW per vaihe.
5. Vain Pro B3: Tarkasta vaihekytkentä höyrystinkäyttöön L1, L2, L3 – U, V1, W.
6. Jos käytössä on valinnainen teholaajennus
  - a. Tarkasta ohjaimen johdot ST1, ST2 ja ST3.
  - b. Tarkasta teholaajennuksen S2-18 suurin sallittu lämmitysteho 3 kW per vaihe.
  - c. Tarkasta teholaajennuksen S2-30 suurin sallittu lämmitysteho 7 kW per vaihe.

## 7. Liitântäkaavio

Kuva4 Liitântäkaavio PRO B2



**Kuva5 Liitäntäkaavio PRO B3**

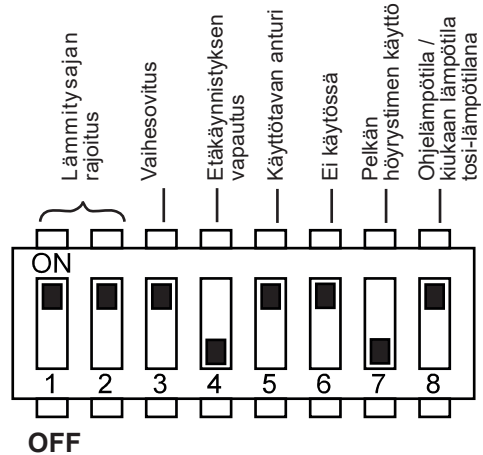


## 8. Käyttöönotto

### 8.1. Toimintojen valintakytkimen asettaminen

Pienjännitteen liitäntäalueen toimintojen valintakytkimellä voidaan aktivoida erilaisia tuotetoimintoja. Oikealla olevassa kuvassa näkyy toimintojen valintakytkimen vakioasetus.

Huomaa, että muutosten tekemisen jälkeen ohjain täytyy kytkeä pois päältä 10 sekunnin ajaksi, jotta asetukset tallentuvat.



Kuva6 Toimintojen valintakytkin – vakioasetus

### 8.2. Lämmitysajan rajoituksen asettaminen

Maksimilämmitysajan vakioasetus on 6 tuntia. Saunaohjain kytkeytyyaksimilämmitysajan jälkeen turvallisuussyistä automaattisesti pois päältä.

Pienjännitteen liitäntäalueen toimintojen valintakytkimelläaksimilämmitysajaksi voidaan asettaa 12 tuntia, 18 tuntia tai 24 tuntia. Tähän tarvittavat toimintojen valintakytkimen asennot on merkitty oikealla olevaan taulukkoon.

Toimintojen valintakytkin	1	2
6 h	ON	ON
12 h	OFF	ON
18 h	ON	OFF
24 h	OFF	OFF



Standardin EN 60335-2-53 mukaan yksityissaunojen lämmitysajan saa rajoittaa enintään 6 tuntiin. Hotelleissa, kerrostaloissa ja vastaavissa paikoissa lämmitysajan saa rajoittaa enintään 12 tuntiin. Lämmitysajan rajoitusta saa laajentaa 18 tuntiin tai 24 tuntiin vain julkisissa saunoissa.



### 8.3. Vaihesovituksen aktivointi/deaktivointi

Vaihesovitus aktivoidaan ja deaktivoidaan toimintojen valintakytkimellä **3**.

- Toimintojen valintakytkimen **3** vakioasetuksena on ON-asento. Näin ollen vaihesovitus on aktivoituna.
- Jos haluat deaktivoida vaihesovituksen, aseta toimintojen valintakytkin **3** OFF-asentoon.

### 8.4. Etäkäynnistystyksen vapautus

Etäkäynnistyslähdön toimintatapa voidaan valita toimintojen valintakytkimellä **4** (huomioi EN60335-2-53).

- Toimintojen valintakytkimen **4** vakioasetuksena on OFF-asento. Etäkäynnistys aktivoidaan toiminnolla "Valmiustila etäohjaukseen".
- Jos haluat vapauttaa etäkäynnistyslähdön erilaisille laitteille (kuten esim. kolikko-ohjain, etäkäynnistysjärjestelmä, ovivalvontalaite), siirrä toimintojen valintakytkin **4** ON-asentoon.

### 8.5. Yksianturikäytön aktivointi/deaktivointi

Yksianturikäytössä saunaohjain toimii vain ylikuumenemissulakkeella varustetun kiuasanturin (F1-anturi) avulla. Yksianturikäyttö täytyy aktivoida toimintojen valintakytkimellä **5**.

- Toimintojen valintakytkimen **5** vakioasetuksena on ON-asento. Näin ollen aktivointuna on kaksianturikäyttö.
- Jos haluat aktivoida yksianturikäytön, aseta toimintojen valintakytkin **5** OFF-asentoon.

### 8.6. Pelkän höyrystimen käytön aktivointi (vain PRO B3)

Tehdasasetuksena on, että höyrystimen voi ottaa käyttöön vain yhdessä lämmitysjärjestelmän kanssa. Jos halutaan käyttää pelkkää höyrystintä ilman lämmitysjärjestelmää, on aktivoitava pelkän höyrystimen käyttö toimintojen valintakytkimellä **7**.

- Toimintojen valintakytkimen **7** vakioasetuksena on OFF-asento. Näin ollen pelkän höyrystimen käyttö on deaktivoitu.
- Jos haluat aktivoida pelkän höyrystimen käytön, aseta toimintojen valintakytkin **7** ON-asentoon.

## 8.7. Kiukaan lämpötilan näyttäminen yksianturikäytössä

Yksianturikäytössä saunaohjaimen vakioasetuksena on vain ohjelämpötilan näyttäminen. Tosilämpötilaa ei näytetä. Jos saunaohjaimen halutaan näyttävän yksianturikäytössä kiukaan yläpuolisen lämpötilan (F1-anturi) tosilämpötilana, tämä täytyy aktivoida toimintojen valintakytkimellä **8**.

- Toimintojen valintakytkimen **8** vakioasetuksena on ON-asento. Näin ollen vain ohjelämpötila näytetään.
- Jos kiukaan yläpuolella vallitseva lämpötila halutaan näyttää tosilämpötilana, kytkä toimintojen valintakytkin **8** OFF-asentoon.



Huomaa, että lämpötila kiukaan yläpuolella on aina lauteiden alueen lämpötilaa korkeampi. Kun kiukaan yläpuolista lämpötilaa käytetään tosilämpötilana, saunaohjaimen näyttämä lämpötila on saunahuoneen lämpömittarin näyttämää lämpötilaa korkeampi.

## 8.8. Asetukset teknikkovalikossa

### *Teknikkovalikon hakeminen näyttöön*

Teknikkovalikossa voidaan tehdä lisää asetuksia. Päästäksesi teknikkovalikkoon toimi seuraavasti:

1. Saunaohjain on kytkettävä pois päältä.
2. Paina samanaikaisesti päälle/pois-kytkintä [6], ajastimen painiketta [7] ja lämpötilanvalitsinta [3].
  - ▶ Ylänäyttöön [1] ilmestyy "SEtt"
3. Siirry haluamaasi asetukseen painamalla lämpötilanvalitsinta [3]

### *Jälkikuivausohjelman toiminta-ajan asettaminen (vain PRO B3)*

Jälkikuivausohjelman enimmäistoiminta-ajan vakioasetus on 60 minuuttia. Jos haluat muuttaa tätä asetusta, tee seuraavat vaiheet:

1. Hae teknikkovalikko näkyviin
  - ▶ Ylänäyttöön [1] ilmestyy "dry"
  - ▶ Alanäyttöön [4] ilmestyy "t30"
2. Valitse haluamasi arvo lämpötilanvalitsimella [3]. (Valinta 0–60; 0 = jälkikuivausohjelma sammutettu; 60 = enimmäistoiminta-aika minuuteissa)

**Turvakatkaisimen/ovianturin aktivoiminen**

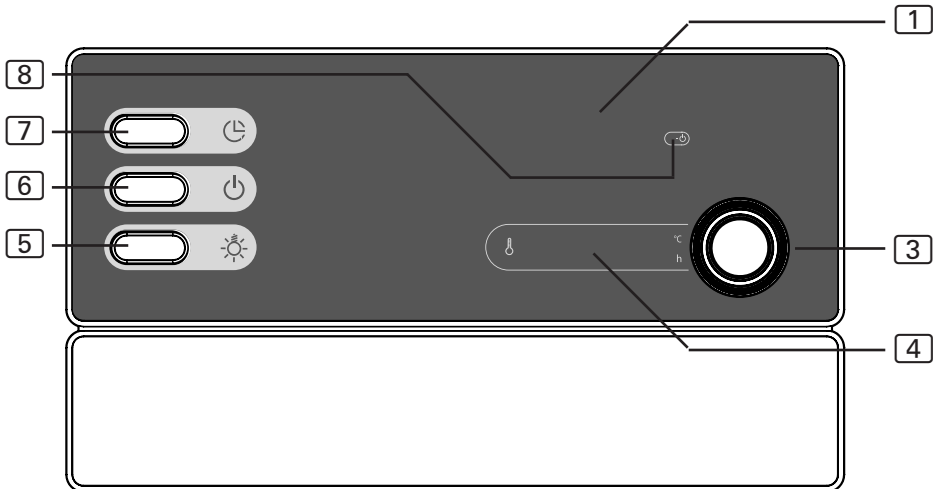
- Hae teknikkovalikko näkyviin (ks. **26**).
  - ▶ Ylänäyttöön **1** ilmestyy "SdO"
  - ▶ Alanäyttöön **4** ilmestyy "SAFE" (=vakioasetus)
- Valitse haluamasi arvo lämpötilanvalitsimella **3**.
  - "SAF" merkitsee, että SAFE – turvakatkaisu on aktivoitu (vakioasetus)
  - "dor" tarkoittaa, että DOOR – ovianturi on aktivoitu

**Asetusten tallentaminen ja teknikkovalikon sulkeminen**

Paina lämpötilanvalitsinta **3** n. 3 sekuntia.

**Ohjelmistoversion kysely**

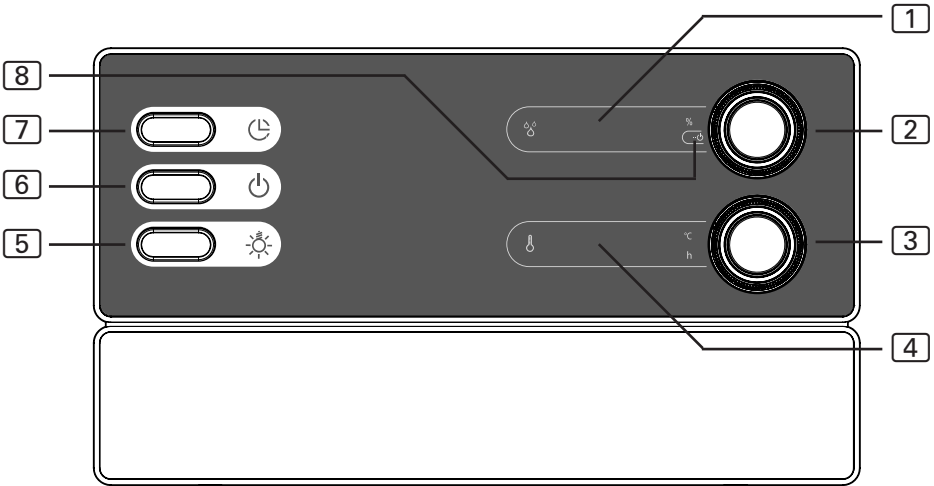
- Kytke saunaohjain päälle painamalla PÄÄLLE/POIS-kytkintä **6**
- Paina samanaikaisesti 5 sekunnin ajan ajastimen painiketta **7** ja lämpötilanvalitsinta **3**
  - ▶ Ylänäyttöön **1** ilmestyy ohjelmistoversio "5.00.5"

**9. Käyttö****9.1. Käyttölaitteet Pro B2**

- 1** lisänäyttö  
**2** -  
**3** lämpötilanvalitsin  
**4** lämpötilanäyttö

- 5** valokytkin  
**6** päälle/pois-kytkin  
**7** ajastinpainike  
**8** etäkännistysnäyttö

## 9.2. Käyttölaitteet Pro B3



1 kosteusnäyttö

2 kosteudenvälitsin

3 lämpötilanvälitsin

4 lämpötilanäyttö

5 valokytkin

6 päälle/pois-kytkin

7 ajastinpainike

8 etäkäynnistysnäyttö

## 9.3. Valon kytkeminen päälle

Saunahuoneen valo voidaan sytyttää ja sammuttaa riippumatta PÄÄLLE/POIS-kytkimestä **6**.

- Sytytä tai sammuta valo painamalla valokytkintä **5**.

## 9.4. Saunaohjaimen kytkeminen päälle



### **VAROITUS!**

#### **Palovaara**

Kuumalla kiukaalla olevat tulenarat esineet voivat syttyä ja aiheuttaa tulipalon.

- ÄLÄ KOSKAAN laske tulenarkoja esineitä kiukaalle.
- Ennen kuin kytket saunaohjaimen päälle, varmista, että kiukaalla EI ole tulenarkoja esineitä.

- Kytke saunaohjain päälle painamalla PÄÄLLE/POIS-kytkintä [6].
  - ▶ Lämpötilanäyttöön [4] ilmestyy muutamaksi sekunniksi "0". Sen jälkeen näytetään saunahuoneen senhetkinen lämpötila. Yksianturikäytössä näytetään viimeksi asetettu ohjelämpötila.
  - ▶ Vain Pro B3: Kosteusnäyttöön [1] ilmestyy muutamaksi sekunniksi "0". Sen jälkeen näytetään saunahuoneen senhetkinen kosteus. Jos kosteus-lämpötila-anturia ei ole asennettuna, näytetään viimeksi asetettu ohjekosteus.

## 9.5. Saunakäytön kytkeminen päälle

1. Valitse haluamasi lämpötila lämpötilanvalitsimella [3].
  - ▶ Lämpötilanvalitsin [3] vilkkuu, ja asetettu ohjelämpötila näkyy lämpötilanäytössä [4].
2. Paina lämpötilanvalitsinta [3].
  - ▶ Kiuas kytketty päälle ja alkaa lämmitellä.
  - ▶ Lämpötilanäytössä [4] näkyy saunahuoneen senhetkinen lämpötila. Yksianturikäytössä näytetään ohjelämpötila.



Voit muuttaa asetettua ohjelämpötilaa milloin tahansa käytön aikana.

- Säädä lämpötilaa korkeammaksi kiertämällä lämpötilan valitsinta [3] oikealle.
- Säädä lämpötilaa alhaisemmaksi kiertämällä lämpötilan valitsinta [3] vasemmalle.
- ▶ Lämpötilanvalitsin [3] vilkkuu ja uusi asetettu lämpötila otetaan käyttöön.

## 9.6. Yhdistelmäkäytön kytkeminen päälle (vain PRO B3)

1. Valitse haluamasi lämpötila lämpötilanvalitsimella [3].
  - ▶ Lämpötilanvalitsin [3] vilkkuu, ja asetettu ohjelämpötila näkyy lämpötilanäytössä [4].
2. Paina lämpötilanvalitsinta [3].
  - ▶ Kiuas kytkeytyy päälle ja alkaa lämmittää.
  - ▶ Lämpötilanäytössä [4] näkyy saunahuoneen senhetkinen lämpötila. Yksianturikäytössä näytetään ohjelämpötila.
3. Valitse haluamasi kosteus kosteudenvälitsimellä [2].
  - ▶ Kosteudenvälitsin [2] vilkkuu, ja asetettu ohjekosteus näkyy kosteusnäytössä [1].
4. Paina kosteudenvälitsinta [2].
  - ▶ Höyrystin kytkeytyy päälle.
  - ▶ Kosteusnäytössä [1] näkyy saunahuoneen senhetkinen kosteus. Jos kosteus-lämpötila-anturia ei ole asennettuna, näytetään viimeksi ohjekosteus.



Jos saunaohjainta käytetään ilman kosteus-lämpötila-anturia (FTS2), tahdistuskäyttö on aktivoituna. Jos saunahuoneen lämpötila on alle 30°, höyrystin kytketään 10 minuutiksi yhtäjaksoisesti päälle. Näin säiliössä oleva vesi saavuttaa peruslämpötilan. Sen jälkeen käynnistyy tahdistuskäyttö.



Höyrystimen voi käynnistää vain, jos kiuas on kytketty päälle. Suurin asetettava ohjekosteus riippuu saunan lämpötilasta. Mitä korkeampi saunan lämpötila, sitä vähäisempi on suurin asetettava kosteusarvo (katso **käyrä 12**).

**Poikkeus:** Aktivoituna on pelkän höyrystimen käyttö (ks. ). Tässä tilassa höyrystimen voi ottaa käyttöön myös ilman kiuasta, maksimikosteus riippuu kuitenkin saunahuoneen senhetkisestä lämpötilasta.

## 9.7. Valmiustila etäkytkennän aktivoimiseksi

Standardin EN 60335-2-53 mukaan etäkäynnistystoiminnolla varustetut saunaohjaimet täytyy kytkeä manuaalisesti käyttötilaan "Valmiustila etäkytkennän aktivoimiseksi".



Tämä aktivointi täytyy tehdä uudelleen joka kerta, kun kiuas on etäkytketty päälle tai pois.

### ***Kun turvakatkaisu on aktivoitu (vakioasetus)***

Tee sitä varten seuraavat vaiheet:

1. Paina lämpötilanvalitsinta **[3]** kolmen sekunnin ajan.
  - ▶ Etäkytkentänäyttö **[8]** alkaa vilkkua.
  - ▶ Saunaohjain on nyt valmiina kytkeytymään päälle tai pois etäkytkentäsignaalin avulla.
  - ▶ Kun kiuas on etäkytketty päälle tai pois, etäkytkentänäyttö sammuu, ja käyttötilan aktivointi on tehtävä uudelleen.

### ***Kun ovianturi on aktivoitu***

1. Paina lämpötilanvalitsinta **[3]** kolmen sekunnin ajan.
  - ▶ Alanäyttöön ilmestyy vähenevä aika 30 s. Ovi voidaan avata/sulkea tänä aikana miten monta kertaa tahansa. Kun aika on kulunut loppuun, oven on oltava kiinni!
  - ▶ Etäkytkentänäyttö **[8]** vilkkuu.
  - ▶ Saunaohjaus on nyt valmis käynnistettäväksi ja pysäytettäväksi kerran etäkäynnistyssignaalilla = tila "Etäohjauksen valmiustila"

#### *Ovi avataan – näytössä näkyy varoitus "door"*

- tilassa "Etäohjauksen valmiustila":  
Jotta tilaa voidaan jatkaa, ovi on suljettava ja varoitus on kuitattava painamalla pitkään alemmaa kiertopainiketta. ▶ Näyttöön ilmestyy jälleen vähenevä aika (30 s).
- jatkuvassa käytössä tai kun etäkäynnistyslähtö on vapautettu (kolikko-ohjain tai ovianturijärjestelmä):  
Kuittaus tapahtuu automaattisesti, kun ovi suljetaan.

## 9.8. Ajastimen asettaminen

---



### **VAROITUS!**

#### **Palovaara**

Kuumalla kiukaalla olevat tulenarat esineet syttyvät ja aiheuttavat tulipalon.

- ÄLÄ KOSKAAN laske tulenarkoja esineitä kiukaalle.
  - Ennen kuin kytket ajastintoiminnon päälle, varmista, että kiukaalla EI ole tulenarkoja esineitä.
- 

Voit säätää ajastinta 15 minuuttia kerrallaan. Ajastimen maksimiaika on 24 tuntia. Ajastimen aika näytetään tunteina ja minuutteina, esimerkiksi 8 tuntia ja 15 minuuttia näytetään muodossa 8.15.

1. Kytke saunakäyttö tai yhdistelmäkäyttö päälle (ks. kohdat **9.5** ja **9.6**)
  2. Paina ajastimen painiketta **[7]**.
    - ▶ Lämpötilan valitsin **[3]** vilkkuu, ja lämpötilänäytössä **[4]** näkyy ajastimeen viimeksi asetettu aika.
  3. Pidennä ajastimeen asetettavaa aikaa 15 minuuttia kerrallaan ajastimen painiketta **[7]**, painamalla.
  4. Kun olet saavuttanut haluamasi ajan, odota muutama sekunti.
    - ▶ Saunaohjain siirtyy valmiustilaan ja ajastin on käynnissä.
    - ▶ Lämpötilänäytössä **[4]** näkyy ajastimen jäljellä oleva aika, ja lämpötilanvalitsin **[3]** vilkkuu.
    - ▶ Kun ajastimen aika on kulunut umpeen, valittu käyttötapa kytkeytyy päälle.
- 



Ajastimeen viimeksi asetettu aika tallentuu, joten viimeksi asetettu arvo voidaan ottaa käyttöön yhdellä painalluksella. Nollaa ajastimen aika arvoon 00:00 painamalla ajastimen painiketta kolmen sekunnin ajan

---



## 9.9. Ajastintoiminnon keskeyttäminen

- Keskeytä ajastintoiminto painamalla ajastimen painiketta **7** kolmen sekunnin ajan.
  - ▶ Ajastimeen asetettu aika lakkaa kulumasta.
  - ▶ Lämpötilänäytössä **4** näkyy saunahuoneen senhetkinen lämpötila. Yksianturikäytössä näytetään ohjelämpötila.

## 9.10. Jälkikuivausohjelman keskeyttäminen (vain PRO B3)

Yhdistelmäkäytön jälkeen jälkikuivausohjelma käynnistyy automaattisesti. Toiminto lämmittää saunahuoneen 80 °C:seen tuulettimen käydessä. (Vakio = 30 minuuttia – asetuksesta riippuen teknikkovalikossa). Lämpötilänäytössä **4** näkyy teksti ”dry”.

- Keskeytä jälkikuivausohjelma painamalla lämpötilanvalitsinta **3** kolmen sekunnin ajan.



Jotta homeen ja lahon muodostuminen voidaan estää, jälkikuivaustointoa EI pidä keskeyttää.

## 9.11. Saunakäytön sammuttaminen

- Paina lämpötilanvalitsinta **3**.
  - ▶ Kiuas kytketään pois päältä. PRO B3:ssa yhdistelmäkäytön jälkeen (vähintään 3 minuuttia) jälkikuivausohjelma käynnistyy automaattisesti.

## 9.12. Saunaohjaimen kytkeminen pois päältä

- Kytke saunaohjain pois päältä painamalla PÄÄLLE/POIS-kytkintä **6**.
  - ▶ Kosteusnäyttö **1** ja lämpötilänäyttö **4** sammuvat.
  - ▶ Saunaohjain on kytketty pois päältä.

## 10. Puhdistus ja huolto

### 10.1. Puhdistus

#### **HUOMIO!**

#### ***Laitteen vauriot***

Saunaohjain on roiskevesisuojaattu, mutta laite voi kuitenkin vaurioitua joutuessaan suoraan kosketukseen veden kanssa.

- ÄLÄ KOSKAAN upota laitetta veteen.
- Älä kaada laitteen päälle vettä.
- Älä puhdista laitetta liian kostealla liinalla.

1. Kasta puhdistusliina mietoon saippualliuokseen.
2. Väännä puhdistusliina kuivaksi.
3. Pyyhi saunaohjaimen kotelo varovasti puhtaaksi.

### 10.2. Huolto

Saunaohjainta ei tarvitse huoltaa.

## 11. Hävittäminen



- Hävitä pakkausmateriaali voimassaolevien määräysten mukaisesti.
- Laiteromussa on kierrätettäviä materiaaleja, mutta myös haitallisia aineita. Älä siis missään tapauksessa hävitä laiteromua sekajätteen mukana, vaan hävitä laite paikallisten voimassa olevien määräysten mukaisesti.

## 12. Ongelmanratkaisu

### 12.1. Virheilmoitukset

Saunaohjaimessa on diagnoosiohjelmisto, joka tarkistaa järjestelmän tiloja päällekytkennän ja käytön aikana. Saunaohjain kytkee kiukaan pois päältä heti, kun diagnoosiohjelmisto havaitsee virheen.

Virheet ilmaistaan toistuvalla varoitusäänellä ja kosteudenseläimen [2] sekä lämpötilanseläimen [3] vilkkumisella. Lisäksi kosteusnäytössä [1] näkyy teksti ”Err”. Lämpötilanäytössä [4] näkyy virheen numero.

Kytke saunaohjain pois päältä PÄÄLLE/POIS-kytkimellä [6] ja korjaa virhe, ennen kuin kytket saunaohjaimen uudelleen päälle.

Seuraavassa taulukossa on kuvattu mahdolliset virheet ja niiden aiheuttajat. Ilmoita virheen numero tarvittaessa asiakaspalveluun.

Virhe	Kuvaus	Syy / ratkaisu
01	Turvakatkaisin	Kiukaan päällä on esine. Poista esine, ennen kuin otat saunaohjaimen uudelleen käyttöön.  Jos turvakatkaisua ei ole asennettu, noudata kohtaa <b>5.8 sivulla 20</b> .
02	Lämpötilan turvarajoin	Kiukaan yläpuolen enimmäislämpötila 139 °C on ylittynyt.
04F1	Kiuasanturin virhe	Viallinen kiuasanturi, huono kosketus tai oikosulku
06F2	Laudeanturin virhe	Viallinen laudeanturi, huono kosketus tai oikosulku
07	Kosteusanturin virhe	Viallinen kosteusanturi, huono kosketus tai oikosulku
door	Saunan ovi auki	Saunaohjain on yhdistetty ovianturiin. Sulje ovi ja tarkasta liitännät tai asetukset.

## 12.2. Vedenpuutteen näyttö (vain PRO B3)

Yhdistelmäkäytössä saunaohjaimessa on automaattinen vedenpuutteen näyttö, mikäli yhdistelmäkiukaasi sitä tukee.

Jos höyrystimen vesisäiliö on tyhjä, asiasta kerrotaan toistuvalla merkkiäänellä ja tekstillä ”FILL” kosteusnäytössä **1**. Samalla höyrystin kytkeytyy pois päältä.

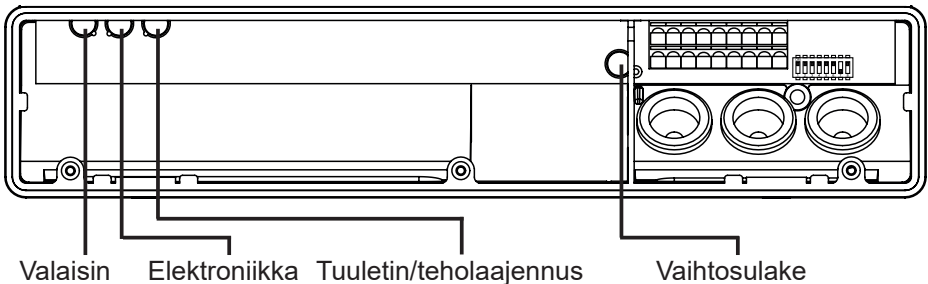
- Lisää höyrystimen vesisäiliöön vettä.
  - ▶ Vähän ajan päästä teksti ”FILL” sammuu, ja höyrystin alkaa taas kuumentaa.

## 12.3. Sulakkeet

Saunaohjaimen liitäntäalueella on sulakkeet valoa, tuuletinta/teholaaajennusta ja elektroniikkaa varten sekä vaihtosulakkeet.

Ne ovat hitaita 1A-mikrosulakkeita.

Niitä voi tilata tuotenumera PRO-FUSE.



Kun vaihdat sulakkeen, vedä sulake irti suorassa asennossa ja aseta uusi sulake paikoilleen.

## 13. Tekniset tiedot

### **Ympäristövaatimukset**

Varastointilämpötila:	-25 °C ... +70 °C
Ympäristön lämpötila:	-10 °C ... +40 °C
Ilmankosteus:	maks. 95 %

### **Saunaohjain**

Mitat:	307 x 175 x 57 mm
Kytkenjännite / kolmivaiheinen 3N:	400 V AC
Taajuus:	50 Hz
Kytkenäteho/lämmityslaite:	3 x 3,5 kW
Kytkenävirta per vaihe/lämmityslaite:	16 A
Kytkenäteho / höyrystin (vain PRO B3):	3,5 kW
Kytkenävirta / höyrystin (vain PRO B3):	16 A
Nimellisjännite:	230 V
Kotelointiluokka (roiskevesisuojaus):	IPX4
Liitetään syöttöverkkoon kiinteällä johdotuksella (kiinteä asennus)	

### **Valaisin**

Kytkenäteho:	100 W
Sulake:	1A T

### **Tuuletin**

Kytkenäteho:	100 W
Sulake:	1A T

### **Säätöalueet**

Lämpötila:	30 °C – 110 °C
Kosteus:	0 % ... 100 %

Suurin asetettava kosteus riippuu saunan lämpötilasta. Mitä korkeampi lämpötila, sitä vähäisempi on suurin asetettava kosteusarvo.

---

**Terminen turvallisuus**

---

Kiuasanturi, jossa ylikuumenemissulake (139 °C sammutuslämpötila)  
Lämmitysajan automaattinen rajoitus säädettävissä (6 h, 12 h, 18 h, 24 h)  
Valinnaisena yksianturi- tai kaksianturikäyttö

---

**Liitäntäjohdot**

---

Syöttöjohto:	min. 5 x 2,5 mm <sup>2</sup>
Kiukaan syöttöjohto (kuumuudenkestävyys 150 °C:een asti):	min. 2,5 mm <sup>2</sup>
Anturijohdot (kuumuudenkestävyys 150 °C:een asti):	min. 0,5 mm <sup>2</sup>
Valojohto:	min. 1,5 mm <sup>2</sup>
Tuuletinjohto:	min. 1,5 mm <sup>2</sup>



**sentiotec**   
DIVISION OF HARVIA GROUP

**CENTRAL EUROPE**

**sentiotec GmbH | Division of Harvia Group |**

Wartenburger Straße 31,  
A-4840 Vöcklabruck

T +43 (0) 7672/22 900-50 | F -80 |

info@sentiotec.com | www.sentiotec.com

**GLOBAL**

**HARVIA**

P.O. Box 12, Teollisuustie 1-7,  
40951 Muurame, FINLAND

T +358 207 464 000

harvia@harvia.fi | www.harvia.fi

**RUSSIA**

**Адрес уполномоченного лица:**

ООО «Харвия Рус»  
196006, Россия. Санкт-Петербург г,  
пр-кт Лиговский, д. 266, стр. 1, помещ.  
2.1-Н.50 | ОГРН 1157847200818

T +78123258294 | spb@accountor.ru

