

CHIMNEY SET WHP1500 SCHORNSTEINSET WHP1500

Article number

- Art.-Nr.: 1-043-869 / WHP1500 steel
- Art.-Nr.: 1-043-872 / WHP1500M black

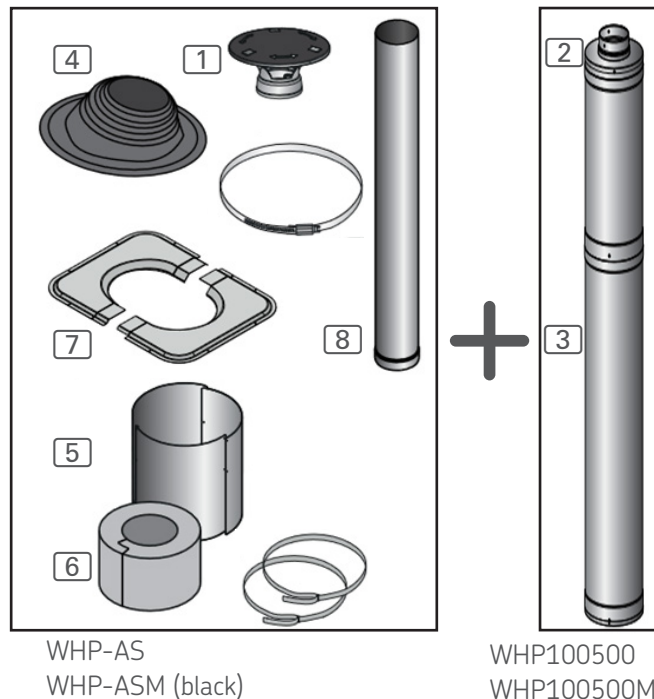
Description

Chimney set for sloping roofs - suitable for roof pitches of 10° and above.
For a straight roof an optional roof flange is available.

Scope of delivery - two packages:

WHP1500 = WHP-AS + WHP1000500

WHP1500M = WHP-ASM + WHP1000500M



Details

1. Rain cap (WX139; WX139M black)
2. Upper end
3. Steel chimney 1.5 m (WHP1000500; WHP100500M black)
4. Rain flange (rubber) and clamp (WHM22)
5. Lead-through protector (3-parts) with clamp (ZSHP-712)
6. Lead-through insulation with clamp (ZHS-200)
7. Lead-through flange (ZSHP-711; ZSHP-711M black)
8. Uninsulated flue pipe 1 m (WZ115100; WZ100M black) (cut to suitable length)

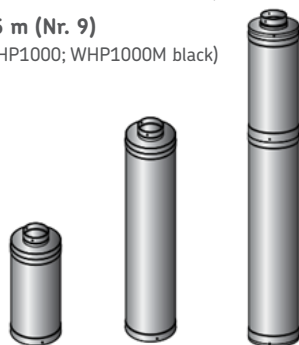
Optional Accessories

Extension for steel chimney

0.5 m (Nr. 9)
(WHP500; WHP500M black)

1.0 m (Nr. 9)
(WHP1000; WHP1000M black)

1.5 m (Nr. 9)
(WHP1000; WHP1000M black)



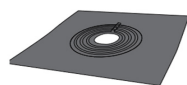
Damper plate (Nr. 10)

(WHP270SP; WHP270SPM black)



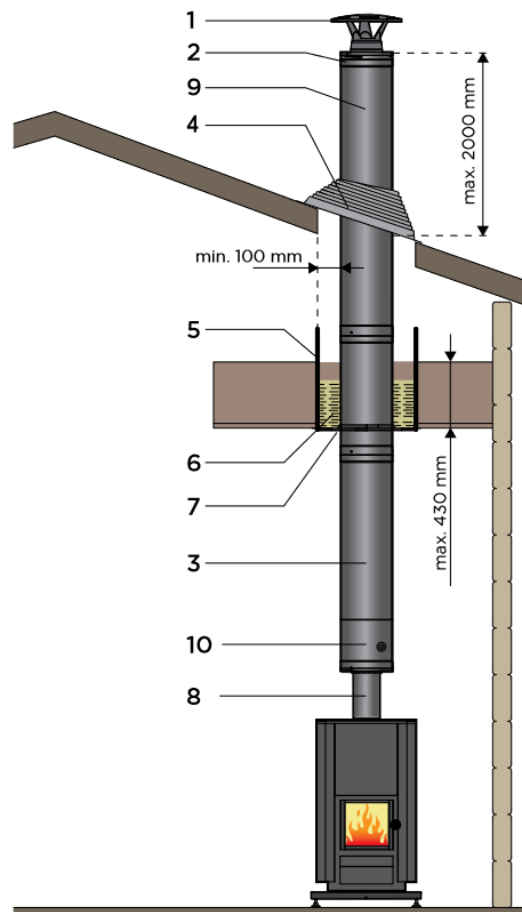
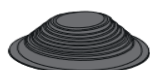
Vapour barrier (to Nr. 7)

(WHM25)



Rain flange for a straight roof

(WHM24)



CHIMNEY SET WHP1500

SCHORNSTEINSET WHP1500

Artikelnummer

- Art.-Nr.: 1-043-869 / WHP1500 Stahl
- Art.-Nr.: 1-043-872 / WHP1500M schwarz

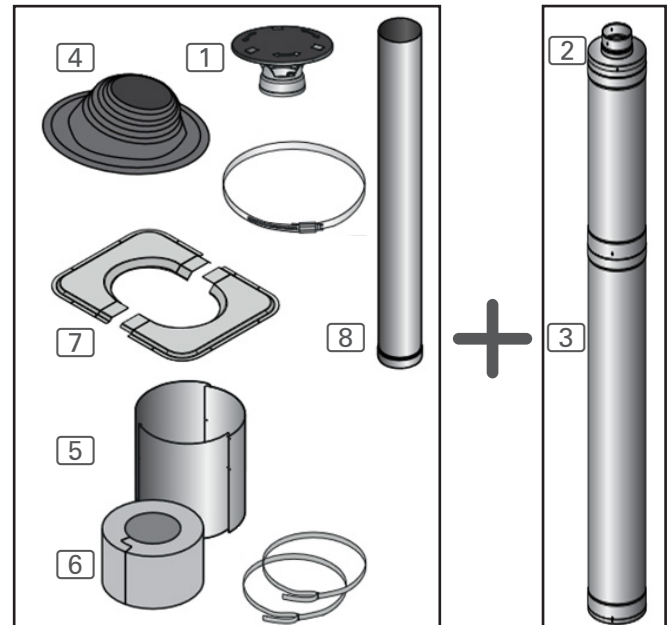
Beschreibung

Schornstein-Set für schräges Dach - geeignet ab einer Dachneigung von 10°.
Für ein gerades Dach ist ein optionaler Regenkragen erhältlich.

Lieferumfang - zwei Pakete:

WHP1500 = WHP-AS + WHP1000500

WHP1500M = WHP-ASM + WHP1000500M



WHP-AS
WHP-ASM (schwarz)

WHP100500
WHP100500M

Details

1. Regenhaube (WX139; WX139M schwarz)
2. Oberes Ende
3. Stahlschornstein 1,5 m (WHP1000500; WHP100500M schwarz)
4. Regenkragen (Gummi) und Schelle (WHM22)
5. Durchgangsprotector (3-teilig) mit Schelle (ZSHP-712)
6. Durchgangsisolierung mit Schelle (ZHS-200)
7. Durchgangskragen (ZSHP-711; ZSHP-711M schwarz)
8. Ungedämmtes Abzugsrohr 1m (WZ115100; WZ100M schwarz)
(auf passende Länge zuschneiden)

Optionales Zubehör

Verlängerung f. Stahlschornstein

0,5 m (Nr. 9)

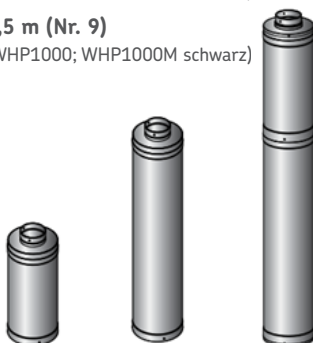
(WHP500; WHP500M schwarz)

1,0 m (Nr. 9)

(WHP1000; WHP1000M schwarz)

1,5 m (Nr. 9)

(WHP1000; WHP1000M schwarz)



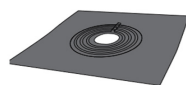
Schieber (Nr. 10)

(WHP270SP; WHP270SPM;)



Dampfsperre (zu Nr. 7)

(WHM25)



Regenkragen für gerades Dach

(WHM24)

