

# CHIMNEY SET WHP1500

## SCHORNSTEINSET WHP1500

### Article number

- Art.-Nr.: 1-043-869 / WHP1500 steel
- Art.-Nr.: 1-043-872 / WHP1500M black

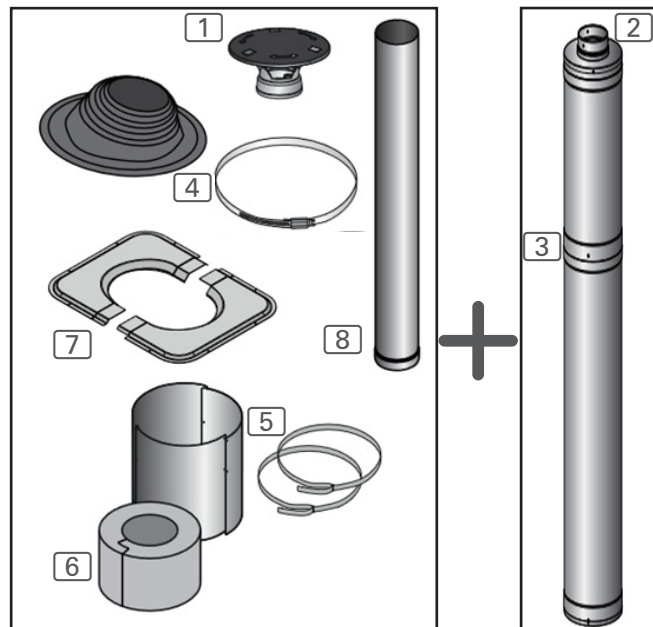
### Description

Chimney set for sloping roofs - suitable for roof pitches of 10° and above.  
For a straight roof an optional roof flange is available.

Scope of delivery - two packages:

WHP1500 = WHP-AS + WHP1000500

WHP1500M = WHP-ASM + WHP1000500M



WHP-AS  
WHP-ASM (black)

WHP1000500  
WHP1000500M

### Details

1. Rain cap (WX139; WX139M black)
2. Upper end
3. Steel chimney 1.5 m (WHP1000500; WHP100500M black)
4. Rain flange rubber (WHM22) and clamp (WHM22)
5. Lead-through protector (3xZSHP-712) with clamp (2xZSHP-210)
6. Lead-through insulation (ZHS-200)
7. Lead-through flange (ZSHP-711; ZSHP-711M black)
8. Uninsulated flue pipe 1 m (WZ115100; WZ100M black) (cut to suitable length)

### Optional Accessories

#### Extension for steel chimney

0.5 m (Nr. 9)

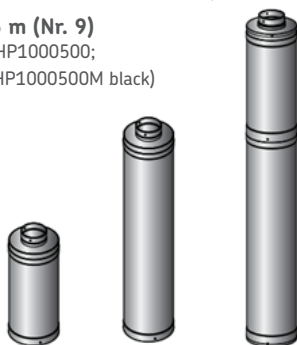
(WHP500; WHP500M black)

1.0 m (Nr. 9)

(WHP1000; WHP1000M black)

1.5 m (Nr. 9)

(WHP1000500;  
WHP1000500M black)



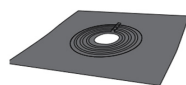
#### Damper plate (Nr. 10)

(WHP270SP; WHP270SPM black)



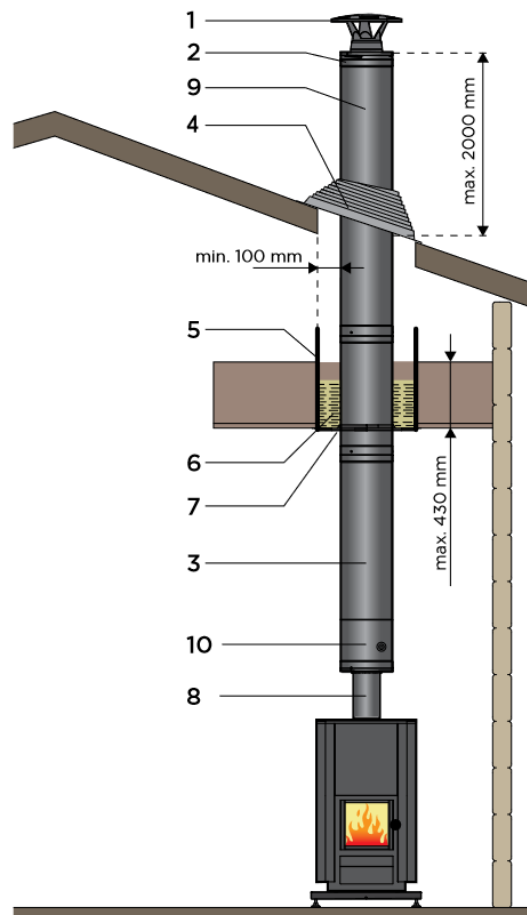
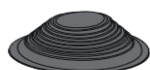
#### Vapour barrier (to Nr. 7)

(WHM25)



#### Rain flange for a straight roof

(WHM24)



# CHIMNEY SET WHP1500 SCHORNSTEINSET WHP1500

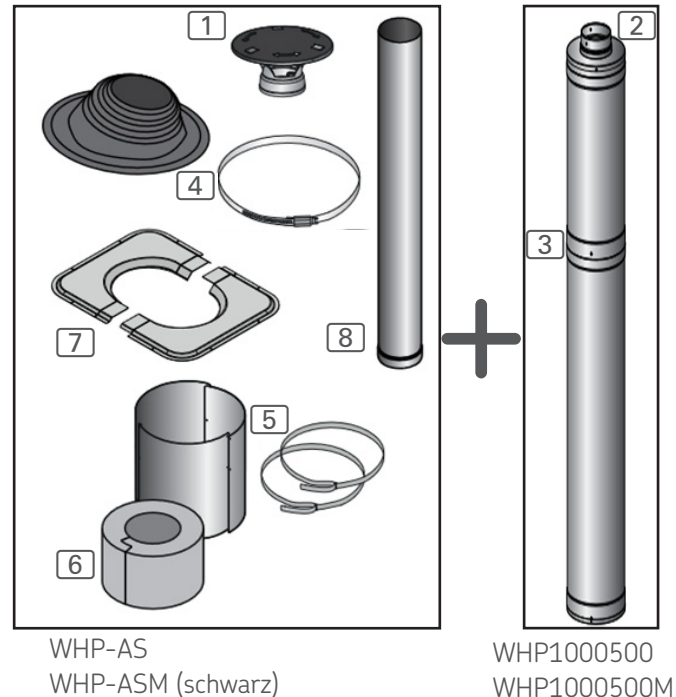
## Artikelnummer

- Art.-Nr.: 1-043-869 / WHP1500 Stahl
- Art.-Nr.: 1-043-872 / WHP1500M schwarz

## Beschreibung

Schornstein-Set für schräges Dach - geeignet ab einer Dachneigung von 10°. Für ein gerades Dach ist ein optionaler Regenkragen erhältlich.

Lieferumfang - zwei Pakete:  
WHP1500 = WHP-AS + WHP1000500  
WHP1500M = WHP-ASM + WHP1000500M



## Details

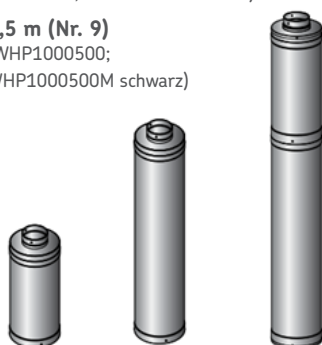
1. Regenhaube (WX139; WX139M schwarz)
2. Oberes Ende
3. Stahlschornstein 1,5 m (WHP1000500; WHP1000500M schwarz)
4. Regenkragen Gummi (WHM22) und Schelle
5. Durchgangsprotector (3xZSHP-712) mit Schelle (2xZSHP-210)
6. Durchgangsisolierung (ZHS-200)
7. Durchgangskragen (ZSHP-711; ZSHP-711M schwarz)
8. Ungedämmtes Abzugsrohr 1m (WZ115100; WZ100M schwarz) (auf passende Länge zuschneiden)

## Optionales Zubehör

Verlängerung f. Stahlschornstein  
0,5 m (Nr. 9)  
(WHP500; WHP500M schwarz)

1,0 m (Nr. 9)  
(WHP1000; WHP1000M schwarz)

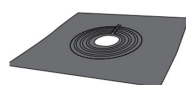
1,5 m (Nr. 9)  
(WHP1000500;  
WHP1000500M schwarz)



Schieber (Nr. 10)  
(WHP270SP; WHP270SPM;)



Dampfsperre (zu Nr. 7)  
(WHM25)



Regenkragen für  
gerades Dach  
(WHM24)

